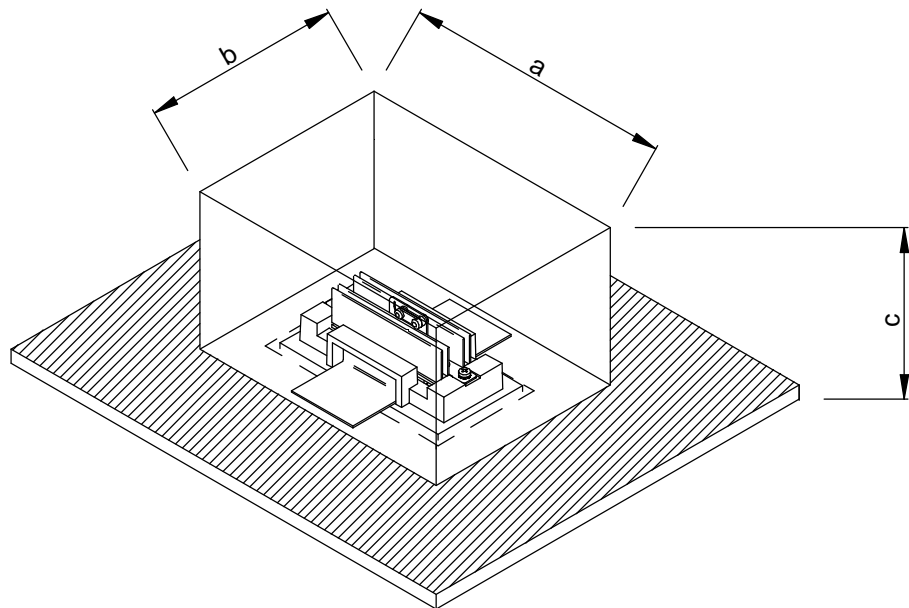
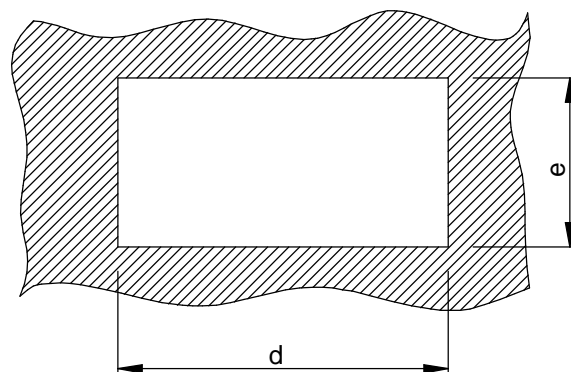


Q1449

INGOMBRO / DIMENSIONS / ENCOMBREMENT / TAMAÑO / RAUMINNERE / الأبعاد



FORO / HOLE / TROU / AGUJERO / ÖFFNUNG / الثقب



| ARTICOLO | a | b | c | d | e |
|----------------------------------------------|-----|-----|-----|-----|-----|
| 64507... 64508... | 40 | 40 | 100 | 44 | 44 |
| 64509... 64510... | 130 | 40 | 100 | 113 | 42 |
| 64526... 64527... | 40 | 40 | 100 | 40 | 44 |
| 64540... 64541... | 130 | 40 | 75 | 113 | 42 |
| 64542... 64543... | 230 | 40 | 75 | 215 | 42 |
| 64544... 64545... | 130 | 130 | 75 | 113 | 113 |
| 64546... 64547... | 155 | 150 | 80 | 160 | 90 |
| 64548... 64549... | 155 | 260 | 80 | 270 | 90 |
| 64550... 64551... | 225 | 150 | 80 | 160 | 160 |
| 64637... 64638... | 155 | 150 | 100 | 160 | 90 |
| 64630... 64631... 64632... 64633... | 80 | 150 | 100 | 85 | 85 |