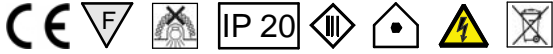


SERIES: POUND_T / POUND_FOCUS / POUND_SHAPER / OPTUS_T / OPTUS_WW | Bluetooth SilvaIR | Dim on Board

BRAND: i-LèD



<p>ON/OFF DALI DALI POUND_T 13 W DC - 15,5 W AC</p>	<p>ON/OFF DALI DALI POUND_T 26 W DC - 29 W AC</p>	<p>ON/OFF DALI DALI POUND_T 34 W DC - 39 W AC</p>	<p>ON/OFF DALI DALI POUND_T Super Spot 7,2 W DC - 9 W AC</p>	<p>DALI DW POUND_T Dynamic White 8 W DC - 9 W AC (x channel)</p>
<p>DALI DW POUND_T Dynamic White 15 W DC - 17,5 W AC (x channel)</p>	<p>DALI SILVAIR POUND_T 13 W DC - 15,5 W AC Bluetooth SILVAIR Dim on Board</p>	<p>DALI SILVAIR POUND_T 23 W DC - 26 W AC Bluetooth SILVAIR Dim on Board</p>	<p>DALI SILVAIR POUND_T 32,5 W DC - 37,5 W AC Bluetooth SILVAIR Dim on Board</p>	<p>DALI DALI POUND_FOCUS 13,5 W DC - 15,5 W AC</p>
<p>DALI DALI POUND_FOCUS 23 W DC - 29 W AC</p>	<p>DALI DALI POUND_FOCUS 32,5 W DC - 37 W AC</p>	<p>DALI SILVAIR POUND_T 13 W DC - 15,5 W AC Bluetooth SILVAIR Dim on Board</p>	<p>DALI SILVAIR POUND_T 23 W DC - 29 W AC Bluetooth SILVAIR Dim on Board</p>	<p>DALI SILVAIR POUND_T 32,5 W DC - 37 W AC Bluetooth SILVAIR Dim on Board</p>
<p>DALI DALI POUND_SHAPER 11 W DC - 13 W AC Medium Distance</p>	<p>DALI DALI POUND_SHAPER 27 W DC - 30 W AC Medium Distance</p>	<p>DALI SILVAIR POUND_SHAPER 11 W DC - 13 W AC Medium Distance</p>	<p>DALI SILVAIR POUND_SHAPER 27 W DC - 30 W AC Medium Distance</p>	

POUND
SERIE
RANGE

OPTUS
SERIE
RANGE

	<p>ON/OFF DALI DALI OPTUS_T 8,5 W DC - 9 W AC 16 W DC - 18 W AC</p>	<p>ON/OFF DALI DALI OPTUS_T 24 W DC - 27 W AC</p>	<p>ON/OFF DALI DALI OPTUS_T 34 W DC - 39 W AC</p>	
<p>ON/OFF DALI DALI OPTUS_WW 17 W DC - 19 W AC</p>	<p>ON/OFF DALI DALI OPTUS_WW 27 W DC - 30 W AC</p>	<p>DALI SILVAIR OPTUS_T 17 WDC - 19 W AC</p>	<p>DALI SILVAIR OPTUS_T 27 W DC - 30 W AC</p>	



ISTRUZIONI DI MONTAGGIO MOUNTING INSTRUCTIONS

REVISIONE N°.
REVISION N°.

DATA

Rev.00

21/11/2024

LED-FG1747

SERIES: POUND_T / POUND_FOCUS / POUND_SHAPER / OPTUS_T / OPTUS_WW | Bluetooth Silvair | Dim on Board

BRAND: i-LÈD

Installazione / Manutenzione

L'articolo dovrà essere installato da personale qualificato, **seguendo le normative d'installazione vigenti del paese di appartenenza**;

In caso di malfunzionamento o necessità di manutenzione dell'articolo contattare il servizio clienti Linea Light tramite la seguente mail: support@linealight.com.

SONO SEVERAMENTE VIETATE LE OPERAZIONI DI INSTALLAZIONE E MANUTENZIONE DELL'ARTICOLO MENTRE QUEST ULTIMO È IN FUNZIONE; !!! ATTENZIONE !!! DUARANTE IL FUNZIONAMENTO ALCUNE PARTI DELL'APPARECCHIO POSSONO RAGGIUNGERE TEMPERATURE ELEVATE.

Installation / Maintenance

*The article must be installed by qualified personnel, **following the installation regulations in force in your country**;*

In the event of malfunction or need for maintenance of the article, contact Linea Light customer service via the following e-mail: support@linealight.com.

IT IS STRICTLY FORBIDDEN TO INSTALL AND MAINTAIN THE ARTICLE WHILE IT IS IN OPERATION; !!! WARNING !!! DURING OPERATION, CERTAIN PARTS OF THE APPLIANCE MAY REACH HIGH TEMPERATURES.

LINEA LIGHT declines any kind of responsibility if the instructions provided in the following instruction manual and in the main manual present in the article's packaging are not followed.

UTILIZZO CONFORME:

L'apparecchio è garantito esclusivamente se l'articolo in questione sia stato installato seguendo le istruzioni riportate in questo manuale di istruzioni e da quello generale presenti all'interno dell'imballo e scaricabili dal sito: www.linealight.com; **In caso di mancata osservazione delle precedenti avvertenze, l'azienda LINEA LIGHT declinerà ogni tipologia di responsabilità.**

Un utilizzo scorretto dell'articolo può influire nella durata utile della lampada e/o potrebbe causarne un guasto precoce.

Evitare la pulizia dell'apparecchio utilizzando agenti chimici aggressivi, è sufficiente passare l'articolo con uno straccio inumidito con acqua.

Per ulteriori avvertenze e/o spiegazioni di eventuali simboli si prega di visionare il foglio istruzioni generale.

CONSERVARE LE PRESENTI ISTRUZIONI PER FUTURI LAVORI DI INSTALLAZIONE/MANUTENZIONE.

COMPLIANT USE:

*The luminaire is only guaranteed if the article in question has been installed in accordance with the instructions given in this instruction manual and the general manual found inside the packaging and downloadable from: www.linealight.com; **In the event of failure to comply with the above warnings, LINEA LIGHT declines all liability.***

Incorrect use of the article may affect the service life of the lamp and/or cause it to fail prematurely.

Avoid cleaning the fixture using harsh chemicals, simply wipe the item with a cloth dampened with water.

For further warnings and/or explanations of possible symbols please refer to the general instruction sheet.

KEEP THESE INSTRUCTIONS FOR FUTURE INSTALLATION/MAINTENANCE WORK.

(ITA) - I prodotti devono essere installati tassativamente con alimentazioni, cablaggi e accessori originali del Gruppo Linea Light, o eventualmente approvati dall'azienda. L'utilizzo di accessori non originali, o non approvati, determina il decadimento di ogni garanzia sul prodotto. (ENG) - All power supply, wiring and accessories used for product installation shall be original Linea Light Group parts or approved by the company. The warranty will become void if non original or non approved parts are used. (FRA) - Les produits doivent impérativement être installés avec des alimentations, des câblages et des accessoires Linea Light Group, ou qui ont été approuvés par l'entreprise. L'utilisation d'accessoires non d'origine, ou non approuvés, entraîne la déchéance de toute garantie sur le produit. (ESP) - Los productos se han de instalar obligatoriamente con alimentaciones, cableados y accesorios originales de Linea Light Group o, de otra forma, deben ser aprobados por la empresa misma. El uso de accesorios no originales, o no aprobados, anula todas las garantías del producto. (GER) Die Produkte müssen obligatorisch mit Originalstromversorgung, Originalkabeln und Originalzubehör der Linea Light Group oder mit Teilen, die von der Linea Light Group ausdrücklich empfohlen sind, installiert werden. Die Verwendung von nicht originale oder nicht vom Hersteller empfohlenem Zubehör führt zu einem sofortigen Verfall vom Garantieanspruch für das Produkt.



ISTRUZIONI DI MONTAGGIO MOUNTING INSTRUCTIONS

REVISIONE N°.
REVISION N°.

DATA

Rev.00

21/11/2024

LED-FG1747

SERIES: POUND_T / POUND_FOCUS / POUND_SHAPER / OPTUS_T / OPTUS_WW | Bluetooth Silvair | Dim on Board

BRAND: i-LÈD

CODICI/CODES

CODE	Type	Dimensions (H x L x D) [mm]	POWER (W)	Dimming	Voltage (V)	Current (A)	WEIGHT (g)	Safety Class	IP	CRI	Temperature color LED (°K)	Energy Class
C00432	Optus_TV2	153x158x74	18	On/Off	36	500	0.65	2	20	90	2700	E
C00432	Optus_TV2	153x158x74	18	On/Off	36	500	0.65	2	20	90	4000	E
C00432	Optus_TV2	153x158x74	18	On/Off	36	500	0.65	2	20	90	3000	E
C00433	Optus_TV2	153x158x74	18	On/Off	36	500	0.65	2	20	98	2700	E
C00433	Optus_TV2	153x158x74	18	On/Off	36	500	0.65	2	20	98	4000	F
C00433	Optus_TV2	153x158x74	18	On/Off	36	500	0.65	2	20	98	3000	E
C00434	Optus_TV2	153x158x74	18	On/Off	36	500	0.65	2	20	90	3000	F
C00435	Optus_TV2	153x158x74	18	DALI-2 PUSH	36	500	0.66	2	20	90	2700	E
C00435	Optus_TV2	153x158x74	18	DALI-2 PUSH	36	500	0.66	2	20	90	4000	E
C00435	Optus_TV2	153x158x74	18	DALI-2 PUSH	36	500	0.66	2	20	90	3000	E
C00436	Optus_TV2	153x158x74	18	DALI-2 PUSH	36	500	0.66	2	20	98	2700	E
C00436	Optus_TV2	153x158x74	18	DALI-2 PUSH	36	500	0.66	2	20	98	4000	F
C00436	Optus_TV2	153x158x74	18	DALI-2 PUSH	36	500	0.66	2	20	98	3000	E
C00438	Optus_TV2	153x158x74	18	DALI-2 PUSH	36	500	0.66	2	20	90	3000	F
C00440	Optus_TV2	153x158x74	27	On/Off	36	700	0.65	2	20	90	2700	E
C00440	Optus_TV2	153x158x74	27	On/Off	36	700	0.65	2	20	90	4000	E
C00440	Optus_TV2	153x158x74	27	On/Off	36	700	0.65	2	20	90	3000	E
C00441	Optus_TV2	153x158x74	27	On/Off	36	700	0.65	2	20	98	2700	E
C00441	Optus_TV2	153x158x74	27	On/Off	36	700	0.65	2	20	98	4000	E
C00441	Optus_TV2	153x158x74	27	On/Off	36	700	0.65	2	20	98	3000	E
C00443	Optus_TV2	153x158x74	27	On/Off	36	700	0.65	2	20	98	3000	E
C00446	Optus_TV2	153x158x74	27	DALI-2 PUSH	36	700	0.66	2	20	90	2700	E
C00446	Optus_TV2	153x158x74	27	DALI-2 PUSH	36	700	0.66	2	20	90	4000	E
C00446	Optus_TV2	153x158x74	27	DALI-2 PUSH	36	700	0.66	2	20	90	3000	E
C00448	Optus_TV2	153x158x74	27	DALI-2 PUSH	36	700	0.66	2	20	98	2700	E
C00448	Optus_TV2	153x158x74	27	DALI-2 PUSH	36	700	0.66	2	20	98	4000	E
C00448	Optus_TV2	153x158x74	27	DALI-2 PUSH	36	700	0.66	2	20	98	3000	E
C00449	Optus_TV2	153x158x74	27	DALI-2 PUSH	36	700	0.66	2	20	98	3000	E
C00473	Optus_Ww	153x158x74	19	On/Off	36	500	0.825	2	20	90	2700	F
C00473	Optus_Ww	153x158x74	19	On/Off	36	500	0.825	2	20	90	4000	E
C00473	Optus_Ww	153x158x74	19	On/Off	36	500	0.825	2	20	90	3000	F
C00474	Optus_Ww	153x158x74	19	DALI-2 PUSH	36	500	0.825	2	20	90	2700	F
C00474	Optus_Ww	153x158x74	19	DALI-2 PUSH	36	500	0.825	2	20	90	4000	E
C00474	Optus_Ww	153x158x74	19	DALI-2 PUSH	36	500	0.825	2	20	90	3000	F
C00475	Optus_Ww	153x158x74	30	On/Off	36	800	1.152	2	20	90	2700	F
C00475	Optus_Ww	153x158x74	30	On/Off	36	800	1.152	2	20	90	4000	E
C00475	Optus_Ww	153x158x74	30	On/Off	36	800	1.152	2	20	90	3000	F
C00476	Optus_Ww	153x158x74	30	DALI-2 PUSH	36	800	1.152	2	20	90	2700	F
C00476	Optus_Ww	153x158x74	30	DALI-2 PUSH	36	800	1.152	2	20	90	4000	E
C00476	Optus_Ww	153x158x74	30	DALI-2 PUSH	36	800	1.152	2	20	90	3000	F
C00993	Optus_TV2	153x158x74	9	On/Off	12	700	0.35	2	20	90	2700	F
C00993	Optus_TV2	153x265x74	9	On/Off	12	700	0.35	2	20	90	4000	F
C00993	Optus_TV2	153x265x74	9	On/Off	12	700	0.35	2	20	90	3000	F
C00994	Optus_TV2	153x265x74	9	DALI-2 PUSH	12	700	0.35	2	20	90	2700	F
C00994	Optus_TV2	153x265x74	9	DALI-2 PUSH	12	700	0.35	2	20	90	4000	F
C00994	Optus_TV2	153x265x74	9	DALI-2 PUSH	12	700	0.35	2	20	90	3000	F
C00995	Optus_TV2	153x265x74	12	On/Off	36	300	0.412	2	20	90	3000	F
C00996	Optus_TV2	153x265x74	12	On/Off	36	300	0.412	2	20	98	2700	E
C00996	Optus_TV2	153x265x74	12	On/Off	36	300	0.412	2	20	98	4000	F
C00996	Optus_TV2	153x265x74	12	On/Off	36	300	0.412	2	20	98	3000	E
C00997	Optus_TV2	153x265x74	12	On/Off	36	300	0.412	2	20	90	2700	E
C00997	Optus_TV2	153x265x74	12	On/Off	36	300	0.412	2	20	90	4000	E
C00997	Optus_TV2	153x265x74	12	On/Off	36	300	0.412	2	20	90	3000	E
C00998	Optus_TV2	153x265x74	12	DALI-2 PUSH	36	300	0.412	2	20	90	3000	F
C00999	Optus_TV2	153x265x74	12	DALI-2 PUSH	36	300	0.412	2	20	98	2700	E
C00999	Optus_TV2	153x265x74	12	DALI-2 PUSH	36	300	0.412	2	20	98	4000	F
C00999	Optus_TV2	153x265x74	12	DALI-2 PUSH	36	300	0.412	2	20	98	3000	E
C01000	Optus_TV2	153x265x74	12	DALI-2 PUSH	36	300	0.412	2	20	90	2700	E
C01000	Optus_TV2	153x265x74	12	DALI-2 PUSH	36	300	0.412	2	20	90	4000	E
C01000	Optus_TV2	153x265x74	12	DALI-2 PUSH	36	300	0.412	2	20	90	3000	E
77048	Optus_T	153x265x74	18	On/Off	36	450	0.412	2	20	90	3000	F
77049	Optus_T	153x265x74	18	On/Off	36	450	0.412	2	20	90	3000	F
77050	Optus_T	153x265x74	18	On/Off	36	450	0.412	2	20	98	4000	F
77050	Optus_T	153x265x74	18	On/Off	36	450	0.412	2	20	98	3000	E
77051	Optus_T	153x265x74	18	On/Off	36	450	0.412	2	20	98	4000	F
77051	Optus_T	153x265x74	18	On/Off	36	450	0.412	2	20	98	3000	E
77052	Optus_T	153x265x74	18	On/Off	36	450	0.412	2	20	90	2700	E
77052	Optus_T	153x265x74	18	On/Off	36	450	0.412	2	20	90	4000	E
77052	Optus_T	153x265x74	18	On/Off	36	450	0.412	2	20	90	3000	E
77053	Optus_T	153x265x74	18	On/Off	36	450	0.412	2	20	90	2700	E
77053	Optus_T	153x265x74	18	On/Off	36	450	0.412	2	20	90	4000	E
77053	Optus_T	153x265x74	18	On/Off	36	450	0.412	2	20	90	3000	E
77054	Optus_T	153x265x74	18	DALI-2 PUSH	36	450	0.412	2	20	90	3000	F
77055	Optus_T	153x265x74	18	DALI-2 PUSH	36	450	0.412	2	20	90	3000	F
77056	Optus_T	153x265x74	18	DALI-2 PUSH	36	450	0.412	2	20	98	4000	F
77056	Optus_T	153x265x74	18	DALI-2 PUSH	36	450	0.412	2	20	98	3000	E
77057	Optus_T	153x265x74	18	DALI-2 PUSH	36	450	0.412	2	20	98	4000	F
77057	Optus_T	153x265x74	18	DALI-2 PUSH	36	450	0.412	2	20	98	3000	E
77058	Optus_T	153x265x74	18	DALI-2 PUSH	36	450	0.412	2	20	90	2700	E
77058	Optus_T	153x265x74	18	DALI-2 PUSH	36	450	0.412	2	20	90	4000	E
77058	Optus_T	153x265x74	18	DALI-2 PUSH	36	450	0.412	2	20	90	3000	E

Ta -20°C ÷ +50°C



ISTRUZIONI DI MONTAGGIO MOUNTING INSTRUCTIONS

REVISIONE N°.
REVISION N°.

DATA

Rev.00

21/11/2024

LED-FG1747

SERIES: POUND_T / POUND_FOCUS / POUND_SHAPER / OPTUS_T / OPTUS_WW | Bluetooth Silvair | Dim on Board

BRAND: i-LÈD

77070	Optus_T	153x158x74	14	Dim on Board	36	450	0.496	1	20	90	2700	E
77070	Optus_T	153x158x74	14	Dim on Board	36	450	0.496	1	20	90	4000	E
77070	Optus_T	153x158x74	14	Dim on Board	36	450	0.496	1	20	90	3000	E
77071	Optus_T	153x158x74	14	Dim on Board	36	450	0.496	2	20	90	2700	E
77071	Optus_T	153x158x74	14	Dim on Board	36	450	0.496	2	20	90	4000	E
77071	Optus_T	153x158x74	14	Dim on Board	36	450	0.496	2	20	90	3000	E
81625	Pound_T	153x158x74	15.5	On/Off	36	350	0.39	2	20	90	4000	E
81625	Pound_T	153x158x74	15.5	On/Off	36	350	0.39	2	20	90	3000	E
81626	Pound_T	153x158x74	15.5	On/Off	36	350	0.39	2	20	90	4000	E
81626	Pound_T	153x158x74	15.5	On/Off	36	350	0.39	2	20	90	3000	E
81627	Pound_T	153x158x74	15.5	On/Off	36	350	0.39	2	20	98	2700	F
81627	Pound_T	153x158x74	15.5	On/Off	36	350	0.39	2	20	98	4000	F
81627	Pound_T	153x158x74	15.5	On/Off	36	350	0.39	2	20	98	3000	F
81628	Pound_T	153x158x74	15.5	On/Off	36	350	0.39	2	20	98	2700	F
81628	Pound_T	153x158x74	15.5	On/Off	36	350	0.39	2	20	98	4000	F
81628	Pound_T	153x158x74	15.5	On/Off	36	350	0.39	2	20	98	3000	F
81629	Pound_T	153x158x74	15.5	On/Off	36	350	0.39	2	20	98	3000	F
81630	Pound_T	153x158x74	15.5	On/Off	36	350	0.39	2	20	98	3000	F
81631	Pound_T	153x158x74	29	On/Off	36	700	0.612	2	20	90	4000	E
81631	Pound_T	153x158x74	29	On/Off	36	700	0.612	2	20	90	3000	E
81632	Pound_T	153x158x74	29	On/Off	36	700	0.612	2	20	90	4000	E
81632	Pound_T	153x158x74	29	On/Off	36	700	0.612	2	20	90	3000	E
81633	Pound_T	153x158x74	29	On/Off	36	700	0.612	2	20	98	2700	E
81633	Pound_T	153x265x74	29	On/Off	36	700	0.612	2	20	98	4000	F
81633	Pound_T	153x265x74	29	On/Off	36	700	0.612	2	20	98	3000	E
81634	Pound_T	153x265x74	29	On/Off	36	700	0.612	2	20	98	2700	E
81634	Pound_T	153x265x74	29	On/Off	36	700	0.612	2	20	98	4000	F
81634	Pound_T	153x265x74	29	On/Off	36	700	0.612	2	20	98	3000	E
81635	Pound_T	153x265x74	29	On/Off	36	700	0.612	2	20	90	3000	F
81636	Pound_T	153x265x74	29	On/Off	36	700	0.612	2	20	90	3000	F
81637	Pound_T	153x265x74	39	On/Off	36	950	0.92	2	20	90	4000	E
81637	Pound_T	153x265x74	39	On/Off	36	950	0.92	2	20	90	3000	E
81638	Pound_T	153x265x74	39	On/Off	36	950	0.92	2	20	90	4000	E
81638	Pound_T	153x265x74	39	On/Off	36	950	0.92	2	20	90	3000	E
81639	Pound_T	153x265x74	39	On/Off	36	950	0.92	2	20	98	2700	E
81639	Pound_T	153x265x74	39	On/Off	36	950	0.92	2	20	98	4000	E
81639	Pound_T	153x265x74	39	On/Off	36	950	0.92	2	20	98	3000	E
81640	Pound_T	153x265x74	39	On/Off	36	950	0.92	2	20	98	2700	E
81640	Pound_T	153x265x74	39	On/Off	36	950	0.92	2	20	98	4000	E
81640	Pound_T	153x265x74	39	On/Off	36	950	0.92	2	20	98	3000	E
81641	Pound_T	153x265x74	39	On/Off	36	950	0.92	2	20	98	3000	E
81642	Pound_T	153x265x74	39	On/Off	36	950	0.92	1	20	98	3000	E
81649	Optus_T	153x265x74	30	On/Off	36	750	0.835	1	20	92	5000	F
81649	Optus_T	153x265x74	30	On/Off	36	750	0.835	1	20	92	RED	
81649	Optus_T	153x265x74	30	On/Off	36	750	0.835	1	20	92	2700	F
81649	Optus_T	153x265x74	30	On/Off	36	750	0.835	1	20	92	4000	E
81649	Optus_T	153x265x74	30	On/Off	36	750	0.835	1	20	92	3000	F
81650	Optus_T	153x265x74	30	On/Off	36	750	0.835	1	20	92	5000	F
81650	Optus_T	153x265x74	30	On/Off	36	750	0.835	1	20	93	RED	
81650	Optus_T	153x265x74	30	On/Off	36	750	0.835	1	20	92	2700	F
81650	Optus_T	153x265x74	30	On/Off	36	750	0.835	1	20	92	4000	E
81650	Optus_T	153x265x74	30	On/Off	36	750	0.835	1	20	92	3000	F
81651	Optus_T	153x265x74	30	On/Off	36	750	0.835	1	20	98	4000	F
81651	Optus_T	153x265x74	30	On/Off	36	750	0.835	1	20	98	3000	F
81652	Optus_T	153x265x74	30	On/Off	36	750	0.835	1	20	98	4000	F
81652	Optus_T	153x265x74	30	On/Off	36	750	0.835	1	20	98	3000	F
81653	Optus_T	153x265x74	30	On/Off	36	750	0.835	1	20	98	3000	F
81654	Optus_T	153x265x74	30	On/Off	36	750	0.835	1	20	98	3000	F
81655	Optus_T	153x265x74	39	On/Off	36	950	0.92	2	20	90	5000	E
81655	Optus_T	153x265x74	39	On/Off	36	950	0.92	2	20	90	2700	E
81655	Optus_T	153x265x74	39	On/Off	36	950	0.92	2	20	90	4000	E
81655	Optus_T	153x265x74	39	On/Off	36	950	0.92	2	20	90	3000	E
81656	Optus_T	153x265x74	39	On/Off	36	950	0.92	1	20	90	5000	E
81656	Optus_T	181x265x74	39	On/Off	36	950	0.92	1	20	90	2700	E
81656	Optus_T	181x265x74	39	On/Off	36	950	0.92	1	20	90	4000	E
81656	Optus_T	181x158x123	39	On/Off	36	950	0.92	1	20	90	3000	E
81657	Optus_T	181x158x123	39	On/Off	36	950	0.92	2	20	98	4000	E
81657	Optus_T	181x158x123	39	On/Off	36	950	0.92	2	20	98	3000	E
81658	Optus_T	181x158x123	39	On/Off	36	950	0.92	2	20	98	4000	E
81658	Optus_T	181x158x123	39	On/Off	36	950	0.92	2	20	98	3000	E
81659	Optus_T	181x158x123	39	On/Off	36	950	0.92	2	20	98	3000	E
81660	Optus_T	181x158x123	39	On/Off	36	950	0.92	2	20	98	3000	E
81752	Pound_T	181x158x123	39	DALI-2 PUSH	36	950	0.92	2	20	90	4000	E
81752	Pound_T	181x158x123	39	DALI-2 PUSH	36	950	0.92	2	20	90	3000	E
81753	Pound_T	181x158x123	39	DALI-2 PUSH	36	950	0.92	2	20	90	4000	E
81753	Pound_T	198x158x123	39	DALI-2 PUSH	36	950	0.92	2	20	90	3000	E
81754	Pound_T	198x158x123	39	DALI-2 PUSH	36	950	0.92	2	20	98	2700	E
81754	Pound_T	198x158x148	39	DALI-2 PUSH	36	950	0.92	2	20	98	4000	E
81754	Pound_T	198x158x148	39	DALI-2 PUSH	36	950	0.92	2	20	98	3000	E
81755	Pound_T	198x158x148	39	DALI-2 PUSH	36	950	0.92	2	20	98	2700	E
81755	Pound_T	198x158x148	39	DALI-2 PUSH	36	950	0.92	2	20	98	4000	E
81755	Pound_T	198x158x148	39	DALI-2 PUSH	36	950	0.92	2	20	98	3000	E
81756	Pound_T	198x158x148	39	DALI-2 PUSH	36	950	0.92	2	20	98	3000	E
81757	Pound_T	198x158x148	39	DALI-2 PUSH	36	950	0.92	2	20	98	3000	E
81808	Pound_T	198x158x148	29	DALI-2 PUSH	36	700	0.612	2	20	90	4000	E
81808	Pound_T	198x158x148	29	DALI-2 PUSH	36	700	0.612	2	20	90	3000	E
81809	Pound_T	198x158x148	29	DALI-2 PUSH	36	700	0.612	2	20	90	4000	E
81809	Pound_T	154x158x148	29	DALI-2 PUSH	36	700	0.612	2	20	90	3000	E

Ta -20°C ÷ +50°C



ISTRUZIONI DI MONTAGGIO

MOUNTING INSTRUCTIONS

REVISIONE N°.
REVISION N°.

DATA

Rev.00

21/11/2024

LED-FG1747

SERIES: POUND_T / POUND_FOCUS / POUND_SHAPER / OPTUS_T / OPTUS_VW | Bluetooth Silvair | Dim on Board

BRAND: i-LÈD

81809	Pound_T	154x158x148	29	DALI-2 PUSH	36	700	0.612	2	20	90	3000	E
81810	Pound_T	154x158x148	29	DALI-2 PUSH	36	700	0.612	2	20	98	2700	E
81810	Pound_T	154x158x66.5	29	DALI-2 PUSH	36	700	0.612	2	20	98	4000	F
81810	Pound_T	154x158x66.5	29	DALI-2 PUSH	36	700	0.612	2	20	98	3000	E
81811	Pound_T	154x158x66.5	29	DALI-2 PUSH	36	700	0.612	2	20	98	2700	E
81811	Pound_T	154x158x66.5	29	DALI-2 PUSH	36	700	0.612	2	20	98	4000	F
81811	Pound_T	154x158x66.5	29	DALI-2 PUSH	36	700	0.612	2	20	98	3000	E
81812	Pound_T	154x158x66.5	29	DALI-2 PUSH	36	700	0.612	2	20	90	3000	F
81813	Pound_T	154x265x66.5	29	DALI-2 PUSH	36	700	0.612	2	20	90	3000	F
81814	Optus_T	154x265x66.5	39	DALI-2 PUSH	36	950	0.92	2	20	90	5000	E
81814	Optus_T	154x265x66.5	39	DALI-2 PUSH	36	950	0.92	2	20	90	2700	E
81814	Optus_T	154x265x66.5	39	DALI-2 PUSH	36	950	0.92	2	20	90	4000	E
81814	Optus_T	154x265x66.5	39	DALI-2 PUSH	36	950	0.92	2	20	90	3000	E
81815	Optus_T	154x265x66.5	39	DALI-2 PUSH	36	950	0.92	2	20	90	5000	E
81815	Optus_T	154x158x66.5	39	DALI-2 PUSH	36	950	0.92	2	20	90	2700	E
81815	Optus_T	154x158x66.5	39	DALI-2 PUSH	36	950	0.92	2	20	90	4000	E
81815	Optus_T	154x158x66.5	39	DALI-2 PUSH	36	950	0.92	2	20	90	3000	E
81816	Optus_T	154x158x66.5	39	DALI-2 PUSH	36	950	0.92	2	20	98	4000	E
81816	Optus_T	154x158x66.5	39	DALI-2 PUSH	36	950	0.92	2	20	98	3000	E
81817	Optus_T	154x158x66.5	39	DALI-2 PUSH	36	950	0.92	2	20	98	4000	E
81817	Optus_T	154x158x66.5	39	DALI-2 PUSH	36	950	0.92	2	20	98	3000	E
81818	Optus_T	154x158x66.5	39	DALI-2 PUSH	36	950	0.92	2	20	98	3000	E
81819	Optus_T	154x158x66.5	39	DALI-2 PUSH	36	950	0.92	2	20	98	3000	E
81859	Pound_T	154x158x66.5	42	On/Off	36	1050	2.04	1	20	98	3000	F
81860	Pound_T	154x158x66.5	42	On/Off	36	1050	2.04	1	20	98	3000	F
81861	Pound_T	154x158x66.5	42	On/Off	36	1050	2.04	1	20	98	2700	G
81861	Pound_T	154x158x66.5	42	On/Off	36	1050	2.04	1	20	98	4000	F
81861	Pound_T	154x158x66.5	42	On/Off	36	1050	2.04	1	20	98	3000	F
81862	Pound_T	154x158x66.5	42	On/Off	36	1050	2.04	1	20	98	2700	G
81862	Pound_T	154x158x66.5	42	On/Off	36	1050	2.04	1	20	98	4000	F
81862	Pound_T	154x158x66.5	42	On/Off	36	1050	2.04	1	20	98	3000	F
81863	Pound_T	154x158x66.5	42	On/Off	36	1050	2.04	1	20	92	4000	E
81863	Pound_T	154x158x66.5	42	On/Off	36	1050	2.04	1	20	92	3000	F
81864	Pound_T	154x158x66.5	42	On/Off	36	1050	2.04	1	20	92	4000	E
81864	Pound_T	154x158x66.5	42	On/Off	36	1050	2.04	1	20	92	3000	F
81954	Pound_T Super Spot	154x158x66.5	9	DALI-2 PUSH	36	630	0.383	2	20	92	2700	F
81954	Pound_T Super Spot	154x158x66.5	9	DALI-2 PUSH	36	630	0.383	2	20	90	4000	F
81954	Pound_T Super Spot	154x158x66.5	9	DALI-2 PUSH	36	630	0.383	2	20	90	3000	F
81955	Pound_T Super Spot	154x158x66.5	9	DALI-2 PUSH	36	630	0.383	2	20	92	2700	F
81955	Pound_T Super Spot	154x158x66.5	9	DALI-2 PUSH	36	630	0.383	2	20	90	4000	F
81955	Pound_T Super Spot	154x158x66.5	9	DALI-2 PUSH	36	630	0.383	2	20	90	3000	F
81987	Pound_Focus	154x158x66.5	15.5	DALI-2 PUSH	36	350	0.39	2	20	90	2700	E
81987	Pound_Focus	154x158x66.5	15.5	DALI-2 PUSH	36	350	0.39	2	20	90	4000	E
81987	Pound_Focus	154x158x66.5	15.5	DALI-2 PUSH	36	350	0.39	2	20	90	3000	E
81988	Pound_Focus	154x158x66.5	15.5	DALI-2 PUSH	36	350	0.39	2	20	90	2700	E
81988	Pound_Focus	154x158x66.5	15.5	DALI-2 PUSH	36	350	0.39	2	20	90	4000	E
81988	Pound_Focus	154x158x66.5	15.5	DALI-2 PUSH	36	350	0.39	2	20	90	3000	E
81989	Pound_Focus	154x158x66.5	26	DALI-2 PUSH	36	650	0.735	2	20	90	2700	E
81989	Pound_Focus	154x158x66.5	26	DALI-2 PUSH	36	650	0.735	2	20	90	4000	E
81989	Pound_Focus	154x158x66.5	26	DALI-2 PUSH	36	650	0.735	2	20	90	3000	E
81990	Pound_Focus	154x158x66.5	26	DALI-2 PUSH	36	650	0.735	2	20	90	2700	E
81990	Pound_Focus	154x158x66.5	26	DALI-2 PUSH	36	650	0.735	2	20	90	4000	E
81990	Pound_Focus	154x158x66.5	26	DALI-2 PUSH	36	650	0.735	2	20	90	3000	E
81991	Pound_Focus	154x158x66.5	37	DALI-2 PUSH	36	900	0.92	2	20	90	2700	E
81991	Pound_Focus	154x158x66.5	37	DALI-2 PUSH	36	900	0.92	2	20	90	4000	E
81991	Pound_Focus	154x158x66.5	37	DALI-2 PUSH	36	900	0.92	2	20	90	3000	E
81992	Pound_Focus	154x265x66.5	37	DALI-2 PUSH	36	900	0.92	2	20	90	2700	E
81992	Pound_Focus	154x265x66.5	37	DALI-2 PUSH	36	900	0.92	2	20	90	4000	E
82105	Pound_Focus	154x265x66.5	15.5	Dim on Board	36	300	0.39	2	20	90	2700	E
82105	Pound_Focus	154x265x66.5	15.5	Dim on Board	36	300	0.39	2	20	90	4000	E
82106	Pound_Focus	154x265x66.5	15.5	Dim on Board	36	300	0.39	2	20	90	2700	E
82106	Pound_Focus	154x265x66.5	15.5	Dim on Board	36	300	0.39	2	20	90	4000	E
82106	Pound_Focus	154x265x66.5	15.5	Dim on Board	36	300	0.39	2	20	90	3000	E
82107	Pound_Focus	154x265x66.5	29	Dim on Board	36	650	0.612	2	20	90	2700	E
82107	Pound_Focus	154x265x66.5	29	Dim on Board	36	650	0.612	2	20	90	4000	E
82107	Pound_Focus	154x265x66.5	29	Dim on Board	36	650	0.612	2	20	90	3000	E
82108	Pound_Focus	154x265x66.5	29	Dim on Board	36	650	0.612	2	20	90	2700	E
82108	Pound_Focus	154x265x66.5	29	Dim on Board	36	650	0.612	2	20	90	4000	E
82108	Pound_Focus	154x265x66.5	29	Dim on Board	36	650	0.612	2	20	90	3000	E
82109	Pound_Focus	154x265x66.5	37	Dim on Board	36	900	0.92	2	20	92	2700	F
82109	Pound_Focus	154x265x66.5	37	Dim on Board	36	900	0.92	2	20	92	4000	E
82109	Pound_Focus	154x265x66.5	37	Dim on Board	36	900	0.92	2	20	92	3000	F
82110	Pound_Focus	154x265x66.5	37	Dim on Board	36	900	0.92	2	20	92	2700	F
82110	Pound_Focus	154x265x66.5	37	Dim on Board	36	900	0.92	2	20	92	4000	E
82110	Pound_Focus	154x265x66.5	37	Dim on Board	36	900	0.92	2	20	92	3000	F
82227	Pound_T	154x265x66.5	15.5	Dim on Board	36	300	0.39	2	20	90	2700	E
82227	Pound_T	154x265x66.5	15.5	Dim on Board	36	300	0.39	2	20	90	4000	E
82227	Pound_T	154x265x66.5	15.5	Dim on Board	36	300	0.39	2	20	90	3000	E
82228	Pound_T	154x265x66.5	15.5	Dim on Board	36	300	0.39	2	20	90	2700	E
82228	Pound_T	154x265x66.5	15.5	Dim on Board	36	300	0.39	2	20	90	4000	E
82228	Pound_T	154x265x66.5	15.5	Dim on Board	36	300	0.39	2	20	90	3000	E
82229	Pound_T	154x265x66.5	26	Dim on Board	36	630	0.612	2	20	90	2700	E
82229	Pound_T	154x265x66.5	26	Dim on Board	36	630	0.612	2	20	90	4000	E
82229	Pound_T	154x265x66.5	26	Dim on Board	36	630	0.612	2	20	90	3000	E
82230	Pound_T	154x265x66.5	26	Dim on Board	36	630	0.612	2	20	90	2700	E
82230	Pound_T	154x265x66.5	26	Dim on Board	36	630	0.612	2	20	90	4000	E

Ta -20°C ÷ +50°C



ISTRUZIONI DI MONTAGGIO

MOUNTING INSTRUCTIONS

REVISIONE N°.
REVISION N°.

DATA

Rev.00

21/11/2024

LED-FG1747

SERIES: POUND_T / POUND_FOCUS / POUND_SHAPER / OPTUS_T / OPTUS_WW | Bluetooth Silvair | Dim on Board

BRAND: i-LèD

82230	Pound_T	154x265x66.5	26	Dim on Board	36	630	0.612	2	20	90	3000	E
82231	Pound_T	154x265x66.5	37.5	Dim on Board	36	900	0.92	2	20	90	2700	E
82231	Pound_T	154x265x66.5	37.5	Dim on Board	36	900	0.92	2	20	90	4000	E
82231	Pound_T	154x265x66.5	37.5	Dim on Board	36	900	0.92	2	20	90	3000	E
82232	Pound_T	154x265x66.5	37.5	Dim on Board	36	900	0.92	2	20	90	2700	E
82232	Pound_T	154x265x66.5	37.5	Dim on Board	36	900	0.92	2	20	90	4000	E
82232	Pound_T	154x265x66.5	37.5	Dim on Board	36	900	0.92	2	20	90	3000	E
82235	Optus_T	154x265x66.5	27	On/Off	36	700	0.625	2	20	90	2700	E
82235	Optus_T	146x265x66.5	27	On/Off	36	700	0.625	2	20	90	4000	E
82235	Optus_T	146x265x66.5	27	On/Off	36	700	0.625	2	20	90	3000	E
82236	Optus_T	146x158x70	27	On/Off	36	700	0.625	2	20	90	2700	E
82236	Optus_T	146x158x70	27	On/Off	36	700	0.625	2	20	90	4000	E
82236	Optus_T	146x158x70	27	On/Off	36	700	0.625	2	20	90	3000	E
82237	Optus_T	146x158x70	27	On/Off	36	700	0.625	2	20	98	2700	E
82237	Optus_T	146x158x70	27	On/Off	36	700	0.625	2	20	98	4000	E
82237	Optus_T	146x158x70	27	On/Off	36	700	0.625	2	20	98	3000	E
82238	Optus_T	146x158x70	27	On/Off	36	700	0.625	2	20	98	2700	E
82238	Optus_T	146x158x70	27	On/Off	36	700	0.625	2	20	98	4000	E
82238	Optus_T	146x158x70	27	On/Off	36	700	0.625	2	20	98	3000	E
82239	Optus_T	146x158x70	27	On/Off	36	700	0.625	2	20	98	3000	E
82240	Optus_T	146x158x70	27	On/Off	36	700	0.625	2	20	98	3000	E
82243	Optus_T	146x158x70	26	Dim on Board	36	650	0.687	2	20	92	2700	F
82243	Optus_T	146x158x70	26	Dim on Board	36	650	0.687	2	20	92	4000	E
82243	Optus_T	146x158x70	26	Dim on Board	36	650	0.687	2	20	92	3000	F
82244	Optus_T	146x158x70	26	Dim on Board	36	650	0.687	2	20	92	2700	F
82244	Optus_T	146x158x70	26	Dim on Board	36	650	0.687	2	20	92	4000	E
82244	Optus_T	146x158x70	26	Dim on Board	36	650	0.687	2	20	92	3000	F
82245	Optus_T	146x158x70	36	Dim on Board	36	900	0.92	2	20	92	2700	F
82245	Optus_T	146x158x70	36	Dim on Board	36	900	0.92	2	20	92	4000	E
82245	Optus_T	146x158x70	36	Dim on Board	36	900	0.92	2	20	92	3000	F
82246	Optus_T	146x158x70	36	Dim on Board	36	900	0.92	2	20	92	2700	F
82246	Optus_T	146x158x70	36	Dim on Board	36	900	0.92	2	20	92	4000	E
82246	Optus_T	146x158x70	36	Dim on Board	36	900	0.92	2	20	92	3000	F
82247	Optus_Ww	146x158x70	19	On/Off	36	500	0.825	2	20	90	2700	F
82247	Optus_Ww	146x158x70	19	On/Off	36	500	0.825	2	20	90	4000	E
82247	Optus_Ww	146x158x70	19	On/Off	36	500	0.825	2	20	90	3000	F
82248	Optus_Ww	146x158x70	19	On/Off	36	500	0.825	2	20	90	2700	F
82248	Optus_Ww	146x158x70	19	On/Off	36	500	0.825	2	20	90	4000	E
82248	Optus_Ww	146x158x70	19	On/Off	36	500	0.825	2	20	90	3000	F
82249	Optus_Ww	146x158x70	30	On/Off	36	800	1.152	2	20	90	2700	F
82249	Optus_Ww	146x158x70	30	On/Off	36	800	1.152	2	20	90	4000	E
82249	Optus_Ww	146x158x70	30	On/Off	36	800	1.152	2	20	90	3000	F
82250	Optus_Ww	146x158x70	30	On/Off	36	800	1.152	2	20	90	2700	F
82250	Optus_Ww	146x158x70	30	On/Off	36	800	1.152	2	20	90	4000	E
82250	Optus_Ww	135x158x70	30	On/Off	36	800	1.152	2	20	90	3000	F
82251	Optus_Ww	135x158x70	19	Dim on Board	36	500	0.825	2	20	90	2700	F
82251	Optus_Ww	135x265x70	19	Dim on Board	36	500	0.825	2	20	90	4000	E
82251	Optus_Ww	135x265x70	19	Dim on Board	36	500	0.825	2	20	90	3000	F
82252	Optus_Ww	135x265x70	19	Dim on Board	36	500	0.825	2	20	90	2700	F
82252	Optus_Ww	135x265x70	19	Dim on Board	36	500	0.825	2	20	90	4000	E
82252	Optus_Ww	135x265x70	19	Dim on Board	36	500	0.825	2	20	90	3000	F
82253	Optus_Ww	135x265x70	30	Dim on Board	36	800	1.152	2	20	90	2700	F
82253	Optus_Ww	135x265x70	30	Dim on Board	36	800	1.152	2	20	90	4000	E
82253	Optus_Ww	135x265x70	30	Dim on Board	36	800	1.152	2	20	90	3000	F
82254	Optus_Ww	135x265x70	30	Dim on Board	36	800	1.152	2	20	90	2700	F
82254	Optus_Ww	135x265x70	30	Dim on Board	36	800	1.152	2	20	90	4000	E
82254	Optus_Ww	135x265x70	30	Dim on Board	36	800	1.152	2	20	90	3000	F
82375	Optus_T	135x265x70	26	Dim on Board	36	650	0.687	2	20	98	4000	F
82375	Optus_T	135x265x70	26	Dim on Board	36	650	0.687	2	20	98	3000	F
82376	Optus_T	135x265x70	26	Dim on Board	36	650	0.687	2	20	98	4000	F
82376	Optus_T	135x265x70	26	Dim on Board	36	650	0.687	2	20	98	3000	F
82377	Optus_T	135x265x70	26	Dim on Board	36	650	0.687	2	20	98	3000	F
82378	Optus_T	135x265x70	26	Dim on Board	36	650	0.687	2	20	98	3000	F
82379	Optus_T	135x265x70	36	Dim on Board	36	900	0.92	2	20	98	2700	G
82379	Optus_T	135x265x70	36	Dim on Board	36	900	0.92	2	20	98	4000	F
82379	Optus_T	135x265x70	36	Dim on Board	36	900	0.92	2	20	98	3000	F
82380	Optus_T	135x265x70	36	Dim on Board	36	900	0.92	2	20	98	2700	G
82380	Optus_T	135x265x70	36	Dim on Board	36	900	0.92	2	20	98	4000	F
82380	Optus_T	135x265x70	36	Dim on Board	36	900	0.92	2	20	98	3000	F
82381	Optus_T	135x265x70	36	Dim on Board	36	900	0.92	2	20	98	3000	F
82382	Optus_T	135x265x70	36	Dim on Board	36	900	0.92	2	20	98	3000	F
82406	Pound_T	135x265x70	15.5	Dim on Board	36	300	0.39	2	20	98	2700	F
82406	Pound_T	135x265x70	15.5	Dim on Board	36	300	0.39	2	20	98	4000	F
82407	Pound_T	135x265x70	15.5	Dim on Board	36	300	0.39	2	20	98	2700	F
82407	Pound_T	135x265x70	15.5	Dim on Board	36	300	0.39	2	20	98	4000	F
82408	Pound_T	135x265x70	15.5	Dim on Board	36	300	0.39	2	20	98	3000	F
82409	Pound_T	135x265x70	15.5	Dim on Board	36	300	0.39	2	20	98	3000	F
82410	Pound_T	135x265x70	26	Dim on Board	36	630	0.612	2	20	98	2700	E
82410	Pound_T	176x265x70	26	Dim on Board	36	630	0.612	2	20	98	4000	F
82410	Pound_T	176x265x70	26	Dim on Board	36	630	0.612	2	20	98	3000	E
82411	Pound_T	176x158x70	26	Dim on Board	36	630	0.612	2	20	98	2700	E
82411	Pound_T	176x158x70	26	Dim on Board	36	630	0.612	2	20	98	4000	F
82411	Pound_T	176x158x70	26	Dim on Board	36	630	0.612	2	20	98	3000	E
82412	Pound_T	176x158x70	26	Dim on Board	36	630	0.612	2	20	90	3000	F
82413	Pound_T	176x158x70	26	Dim on Board	36	630	0.612	2	20	90	3000	F
82414	Pound_T	176x158x70	37.5	Dim on Board	36	900	0.92	2	20	98	2700	E

Ta -20°C ÷ +50°C



ISTRUZIONI DI MONTAGGIO MOUNTING INSTRUCTIONS

REVISIONE N°.
REVISION N°.

DATA

Rev.00

21/11/2024

LED-FG1747

SERIES: POUND_T / POUND_FOCUS / POUND_SHAPER / OPTUS_T / OPTUS_WW | Bluetooth Silvair | Dim on Board

BRAND: i-LÈD

82414	Pound_T	176x158x70	37.5	Dim on Board	36	900	0.92	2	20	98	4000	E
82414	Pound_T	176x158x70	37.5	Dim on Board	36	900	0.92	2	20	98	3000	E
82415	Pound_T	176x158x70	37.5	Dim on Board	36	900	0.92	2	20	98	2700	E
82415	Pound_T	176x158x70	37.5	Dim on Board	36	900	0.92	2	20	98	4000	E
82415	Pound_T	176x158x70	37.5	Dim on Board	36	900	0.92	2	20	98	3000	E
82416	Pound_T	176x158x70	37.5	Dim on Board	36	900	0.92	2	20	98	3000	E
82417	Pound_T	176x158x70	37.5	Dim on Board	36	900	0.92	2	20	98	3000	E
82422	Pound_Focus	176x158x70	15.5	DALI-2 PUSH	36	350	0.39	2	20	98	2700	F
82422	Pound_Focus	176x158x70	15.5	DALI-2 PUSH	36	350	0.39	2	20	98	4000	F
82422	Pound_Focus	176x158x70	15.5	DALI-2 PUSH	36	350	0.39	2	20	98	3000	F
82423	Pound_Focus	176x158x70	15.5	DALI-2 PUSH	36	350	0.39	2	20	98	2700	F
82423	Pound_Focus	176x158x70	15.5	DALI-2 PUSH	36	350	0.39	2	20	98	4000	F
82423	Pound_Focus	176x158x70	15.5	DALI-2 PUSH	36	350	0.39	2	20	98	3000	F
82438	Pound_Focus	176x158x70	26	DALI-2 PUSH	36	650	0.735	2	20	98	2700	E
82438	Pound_Focus	176x158x70	26	DALI-2 PUSH	36	650	0.735	2	20	98	4000	F
82438	Pound_Focus	176x158x70	26	DALI-2 PUSH	36	650	0.735	2	20	98	3000	E
82439	Pound_Focus	176x158x70	26	DALI-2 PUSH	36	650	0.735	2	20	98	2700	E
82439	Pound_Focus	176x158x70	26	DALI-2 PUSH	36	650	0.735	2	20	98	4000	F
82439	Pound_Focus	176x158x70	26	DALI-2 PUSH	36	650	0.735	2	20	98	3000	E
82440	Pound_Focus	176x158x70	37	DALI-2 PUSH	36	900	0.92	2	20	98	2700	E
82440	Pound_Focus	176x158x70	37	DALI-2 PUSH	36	900	0.92	2	20	98	4000	E
82440	Pound_Focus	176x158x70	37	DALI-2 PUSH	36	900	0.92	2	20	98	3000	E
82441	Pound_Focus	176x158x70	37	DALI-2 PUSH	36	900	0.92	2	20	98	2700	E
82441	Pound_Focus	176x158x70	37	DALI-2 PUSH	36	900	0.92	2	20	98	4000	E
82441	Pound_Focus	176x158x70	37	DALI-2 PUSH	36	900	0.92	2	20	98	3000	E
82444	Pound_Focus	176x158x70	15.5	Dim on Board	36	300	0.39	2	20	98	2700	F
82444	Pound_Focus	176x158x70	15.5	Dim on Board	36	300	0.39	2	20	98	4000	F
82444	Pound_Focus	176x158x70	15.5	Dim on Board	36	300	0.39	2	20	98	3000	F
82445	Pound_Focus	176x158x70	15.5	Dim on Board	36	300	0.39	2	20	98	4000	F
82445	Pound_Focus	176x158x70	15.5	Dim on Board	36	300	0.39	2	20	98	3000	F
82445	Pound_Focus	176x158x70	15.5	Dim on Board	36	300	0.39	2	20	98	4000	F
82446	Pound_Focus	176x158x70	29	Dim on Board	36	650	0.612	2	20	98	2700	E
82446	Pound_Focus	176x158x70	29	Dim on Board	36	650	0.612	2	20	98	4000	F
82446	Pound_Focus	176x158x70	29	Dim on Board	36	650	0.612	2	20	98	3000	E
82447	Pound_Focus	176x158x70	29	Dim on Board	36	650	0.612	2	20	98	2700	E
82447	Pound_Focus	176x158x70	29	Dim on Board	36	650	0.612	2	20	98	4000	F
82447	Pound_Focus	176x158x70	29	Dim on Board	36	650	0.612	2	20	98	3000	E
82448	Pound_Focus	176x158x70	37	Dim on Board	36	900	0.92	2	20	98	2700	G
82448	Pound_Focus	176x158x70	37	Dim on Board	36	900	0.92	2	20	98	4000	F
82448	Pound_Focus	176x158x70	37	Dim on Board	36	900	0.92	2	20	98	3000	F
82449	Pound_Focus	176x158x70	37	Dim on Board	36	900	0.92	2	20	98	2700	G
82449	Pound_Focus	176x158x70	37	Dim on Board	36	900	0.92	2	20	98	4000	F
82607	Pound_T	176x158x70	15.5	DALI-2 PUSH	36	350	0.39	2	20	90	4000	E
82607	Pound_T	176x158x70	15.5	DALI-2 PUSH	36	350	0.39	2	20	90	3000	E
82608	Pound_T	176x158x70	15.5	DALI-2 PUSH	36	350	0.39	2	20	90	4000	E
82608	Pound_T	176x158x70	15.5	DALI-2 PUSH	36	350	0.39	2	20	90	3000	E
82609	Pound_T	176x158x70	15.5	DALI-2 PUSH	36	350	0.39	2	20	98	2700	F
82609	Pound_T	176x158x70	15.5	DALI-2 PUSH	36	350	0.39	2	20	98	4000	F
82609	Pound_T	176x158x70	15.5	DALI-2 PUSH	36	350	0.39	2	20	98	3000	F
82610	Pound_T	176x158x70	15.5	DALI-2 PUSH	36	350	0.39	2	20	98	2700	F
82610	Pound_T	176x158x70	15.5	DALI-2 PUSH	36	350	0.39	2	20	98	4000	F
82610	Pound_T	176x158x70	15.5	DALI-2 PUSH	36	350	0.39	2	20	98	3000	F
82611	Pound_T	176x158x70	15.5	DALI-2 PUSH	36	350	0.39	2	20	98	3000	F
82612	Pound_T	176x158x70	15.5	DALI-2 PUSH	36	350	0.39	2	20	98	3000	F
82613	Pound	176x158x70	37.8	DALI	36	1050	2.04	1	20	98	3000	F
82614	Pound	176x158x70	37.8	DALI	36	1050	2.04	1	20	98	3000	F
82615	Pound	176x158x70	37.8	DALI	36	1050	2.04	1	20	98	2700	G
82615	Pound	176x158x70	37.8	DALI	36	1050	2.04	1	20	98	4000	F
82615	Pound	176x158x70	37.8	DALI	36	1050	2.04	1	20	98	3000	F
82616	Pound	176x158x70	37.8	DALI	36	1050	2.04	1	20	98	2700	G
82616	Pound	176x158x70	37.8	DALI	36	1050	2.04	1	20	98	4000	F
82616	Pound	170x158x70	37.8	DALI	36	1050	2.04	1	20	98	3000	F
82617	Pound	170x158x70	37.8	On/Off	36	1050	2.04	1	20	92	4000	E
82617	Pound	170x158x115	37.8	On/Off	36	1050	2.04	1	20	92	3000	F
82618	Pound	170x158x115	37.8	DALI	36	1050	2.04	1	20	92	4000	E
82618	Pound	170x158x115	37.8	DALI	36	1050	2.04	1	20	92	3000	F
82893	Optus_T	170x158x115	21	DALI-2 PUSH	36	450	0.412	2	20	90	3000	F
82895	Optus_T	170x158x115	27	DALI-2 PUSH	36	700	0.625	2	20	98	3000	E
82896	Optus_T	170x158x115	27	DALI-2 PUSH	36	700	0.625	1	20	98	3000	E
82897	Optus_T	170x158x115	27	DALI-2 PUSH	36	700	0.625	2	20	98	2700	E
82897	Optus_T	170x158x115	27	DALI-2 PUSH	36	700	0.625	2	20	98	4000	E
82897	Optus_T	170x158x115	27	DALI-2 PUSH	36	700	0.625	2	20	98	3000	E
82898	Optus_T	170x158x115	27	DALI-2 PUSH	36	700	0.625	2	20	98	2700	E
82898	Optus_T	170x158x115	27	DALI-2 PUSH	36	700	0.625	2	20	98	4000	E
82898	Optus_T	170x158x115	27	DALI-2 PUSH	36	700	0.625	2	20	98	3000	E
82899	Optus_T	170x158x115	27	DALI-2 PUSH	36	700	0.625	2	20	90	2700	E
82899	Optus_T	170x158x115	27	DALI-2 PUSH	36	700	0.625	2	20	90	4000	E
82899	Optus_T	170x158x115	27	DALI-2 PUSH	36	700	0.625	2	20	90	3000	E
82900	Optus_T	170x158x115	27	DALI-2 PUSH	36	700	0.625	2	20	90	2700	E
82900	Optus_T	170x158x115	27	DALI-2 PUSH	36	700	0.625	2	20	90	4000	E
82900	Optus_T	170x158x115	27	DALI-2 PUSH	36	700	0.625	2	20	90	3000	E
83799	Pound_T	170x158x115	15.5	Bluetooth Silvair	36	350	0.39	2	20	98	3000	F
83800	Pound_T	170x158x115	15.5	Bluetooth Silvair	36	350	0.39	2	20	98	3000	F
83801	Pound_T	170x158x115	15.5	Bluetooth Silvair	36	350	0.39	2	20	98	2700	F
83801	Pound_T	170x158x115	15.5	Bluetooth Silvair	36	350	0.39	2	20	98	4000	F
83801	Pound_T	170x158x115	15.5	Bluetooth Silvair	36	350	0.39	2	20	98	3000	F
83802	Pound_T	170x158x115	15.5	Bluetooth Silvair	36	350	0.39	2	20	98	2700	F
83802	Pound_T	170x158x115	15.5	Bluetooth Silvair	36	350	0.39	2	20	98	4000	F

Ta -20°C ÷ +50°C



ISTRUZIONI DI MONTAGGIO MOUNTING INSTRUCTIONS

REVISIONE N°.
REVISION N°.

DATA

Rev.00

21/11/2024

LED-FG1747

SERIES: POUND_T / POUND_FOCUS / POUND_SHAPER / OPTUS_T / OPTUS_WW | Bluetooth Silvair | Dim on Board

BRAND: i-LÈD

83802	Pound T	170x158x115	15.5	Bluetooth Silvair	36	350	0.39	2	20	98	3000	F
83803	Pound T	170x158x115	15.5	Bluetooth Silvair	36	350	0.39	2	20	90	2700	E
83803	Pound T	170x158x115	15.5	Bluetooth Silvair	36	350	0.39	2	20	90	4000	E
83803	Pound T	170x158x115	15.5	Bluetooth Silvair	36	350	0.39	2	20	90	3000	E
83804	Pound T	170x158x115	15.5	Dim on Board	36	350	0.39	2	20	90	2700	E
83804	Pound T	170x158x115	15.5	Dim on Board	36	350	0.39	2	20	90	4000	E
83804	Pound T	170x158x115	15.5	Dim on Board	36	350	0.39	2	20	90	3000	E
83805	Pound T	170x158x115	26	Bluetooth Silvair	36	630	0.612	2	20	90	3000	F
83806	Pound T	170x158x115	26	Bluetooth Silvair	36	630	0.612	2	20	90	3000	F
83807	Pound T	221x158x115	26	Bluetooth Silvair	36	630	0.612	2	20	98	2700	E
83807	Pound T	221x158x115	26	Bluetooth Silvair	36	630	0.612	2	20	98	4000	F
83807	Pound T	221x158x165	26	Bluetooth Silvair	36	630	0.612	2	20	98	3000	E
83808	Pound T	221x158x165	26	Bluetooth Silvair	36	630	0.612	2	20	98	2700	E
83808	Pound T	221x158x165	26	Bluetooth Silvair	36	630	0.612	2	20	98	4000	F
83808	Pound T	221x158x165	26	Bluetooth Silvair	36	630	0.612	2	20	98	3000	E
83809	Pound T	221x158x165	26	Bluetooth Silvair	36	630	0.612	2	20	90	2700	E
83809	Pound T	221x158x165	26	Bluetooth Silvair	36	630	0.612	2	20	90	4000	E
83809	Pound T	221x158x165	26	Bluetooth Silvair	36	630	0.612	2	20	90	3000	E
83810	Pound T	221x158x165	26	Bluetooth Silvair	36	630	0.612	2	20	90	2700	E
83810	Pound T	221x158x165	26	Bluetooth Silvair	36	630	0.612	2	20	90	4000	E
83810	Pound T	221x158x165	26	Bluetooth Silvair	36	630	0.612	2	20	90	3000	E
83811	Pound T	221x158x165	37.5	Bluetooth Silvair	36	900	0.92	2	20	98	3000	E
83812	Pound T	221x158x165	37.5	Bluetooth Silvair	36	900	0.92	2	20	98	3000	E
83823	Pound T	221x158x165	37.5	Bluetooth Silvair	36	900	0.92	2	20	98	2700	E
83823	Pound T	221x158x165	37.5	Bluetooth Silvair	36	900	0.92	2	20	98	4000	E
83823	Pound T	221x158x165	37.5	Bluetooth Silvair	36	900	0.92	2	20	98	3000	E
83824	Pound T	221x158x165	37.5	Bluetooth Silvair	36	900	0.92	2	20	98	2700	E
83824	Pound T	221x158x165	37.5	Bluetooth Silvair	36	900	0.92	2	20	98	4000	E
83824	Pound T	221x158x165	37.5	Bluetooth Silvair	36	900	0.92	2	20	98	3000	E
83825	Pound T	221x158x165	37.5	Bluetooth Silvair	36	900	0.92	2	20	90	2700	E
83825	Pound T	221x158x165	37.5	Bluetooth Silvair	36	900	0.92	2	20	90	4000	E
83825	Pound T	221x158x165	37.5	Bluetooth Silvair	36	900	0.92	2	20	90	3000	E
83826	Pound T	221x158x165	37.5	Bluetooth Silvair	36	900	0.92	2	20	90	2700	E
83826	Pound T	221x158x165	37.5	Bluetooth Silvair	36	900	0.92	2	20	90	4000	E
83826	Pound T	221x158x165	37.5	Bluetooth Silvair	36	900	0.92	2	20	90	3000	E
83827	Pound Focus	221x158x165	15.5	Bluetooth Silvair	36	350	0.39	2	20	98	2700	F
83827	Pound Focus	221x158x165	15.5	Bluetooth Silvair	36	350	0.39	2	20	98	4000	F
83827	Pound Focus	221x158x165	15.5	Bluetooth Silvair	36	350	0.39	2	20	98	3000	F
83828	Pound Focus	221x158x165	15.5	Bluetooth Silvair	36	350	0.39	2	20	98	2700	F
83828	Pound Focus	221x158x165	15.5	Bluetooth Silvair	36	350	0.39	2	20	98	4000	F
83828	Pound Focus	221x158x165	15.5	Bluetooth Silvair	36	350	0.39	2	20	98	3000	F
83829	Pound Focus	221x158x165	15.5	Bluetooth Silvair	36	350	0.39	2	20	90	2700	E
83829	Pound Focus	221x158x165	15.5	Bluetooth Silvair	36	350	0.39	2	20	90	4000	E
83829	Pound Focus	221x158x165	15.5	Bluetooth Silvair	36	350	0.39	2	20	90	3000	E
83830	Pound Focus	221x158x165	15.5	Bluetooth Silvair	36	350	0.39	2	20	90	2700	E
83830	Pound Focus	265x158x165	15.5	Bluetooth Silvair	36	350	0.39	2	20	90	4000	E
83830	Pound Focus	265x158x165	15.5	Bluetooth Silvair	36	350	0.39	2	20	90	3000	E
83831	Pound Focus	265x158x190	26	Bluetooth Silvair	36	650	0.612	2	20	98	2700	E
83831	Pound Focus	265x158x190	26	Bluetooth Silvair	36	650	0.612	2	20	98	4000	F
83831	Pound Focus	265x158x190	26	Bluetooth Silvair	36	650	0.612	2	20	98	3000	E
83832	Pound Focus	265x158x190	26	Bluetooth Silvair	36	650	0.612	2	20	98	2700	E
83832	Pound Focus	265x158x190	26	Bluetooth Silvair	36	650	0.612	2	20	98	4000	F
83832	Pound Focus	265x158x190	26	Bluetooth Silvair	36	650	0.612	2	20	98	3000	E
83833	Pound Focus	265x158x190	26	Bluetooth Silvair	36	650	0.612	2	20	90	2700	E
83833	Pound Focus	265x158x190	26	Bluetooth Silvair	36	650	0.612	2	20	90	4000	E
83833	Pound Focus	265x158x190	26	Bluetooth Silvair	36	650	0.612	2	20	90	3000	E
83834	Pound Focus	265x158x190	26	Bluetooth Silvair	36	650	0.612	2	20	90	2700	E
83834	Pound Focus	265x158x190	26	Bluetooth Silvair	36	650	0.612	2	20	90	4000	E
83834	Pound Focus	265x158x190	26	Bluetooth Silvair	36	650	0.612	2	20	90	3000	E
83835	Pound Focus	265x158x190	37	Bluetooth Silvair	36	900	0.92	2	20	98	2700	E
83835	Pound Focus	265x158x190	37	Bluetooth Silvair	36	900	0.92	2	20	98	4000	E
83835	Pound Focus	265x158x190	37	Bluetooth Silvair	36	900	0.92	2	20	98	3000	E
83836	Pound Focus	265x158x190	37	Bluetooth Silvair	36	900	0.92	2	20	98	2700	E
83836	Pound Focus	265x158x190	37	Bluetooth Silvair	36	900	0.92	2	20	98	4000	E
83836	Pound Focus	265x158x190	37	Bluetooth Silvair	36	900	0.92	2	20	98	3000	E
83839	Pound Focus	265x158x190	37	Bluetooth Silvair	36	900	0.92	2	20	90	2700	E
83839	Pound Focus	265x158x190	37	Bluetooth Silvair	36	900	0.92	2	20	90	4000	E
83839	Pound Focus	265x158x190	37	Bluetooth Silvair	36	900	0.92	2	20	90	3000	E
83840	Pound Focus	265x158x190	37	Bluetooth Silvair	36	900	0.92	2	20	90	2700	E
83840	Pound Focus	265x158x190	37	Bluetooth Silvair	36	900	0.92	2	20	90	4000	E
83840	Pound Focus	265x158x190	37	Bluetooth Silvair	36	900	0.92	2	20	90	3000	E
83921	Optus_Ww	265x158x190	19	Bluetooth Silvair	36	500	0.825	2	20	90	2700	F
83921	Optus_Ww	265x158x190	19	Bluetooth Silvair	36	500	0.825	2	20	90	4000	E
83921	Optus_Ww	265x158x190	19	Bluetooth Silvair	36	500	0.825	2	20	90	3000	F
83922	Optus_Ww	265x158x190	19	Bluetooth Silvair	36	500	0.825	2	20	90	2700	F
83922	Optus_Ww	265x158x190	19	Bluetooth Silvair	36	500	0.825	2	20	90	4000	E
83922	Optus_Ww	265x158x190	19	Bluetooth Silvair	36	500	0.825	2	20	90	3000	F
84165	Pound T	265x158x190	9	DALI-2 PUSH	12	700	0.612	2	20	90	From 2700 to 5700	F
84166	Pound T	265x158x190	9	DALI-2 PUSH	12	700	0.612	2	20	90	From 2700 to 5700	F
84167	Pound T	265x158x190	17.5	DALI-2 PUSH	24	700	0.92	2	20	90	From 2700 to 5700	F
84168	Pound T	265x158x190	17.5	DALI-2 PUSH	24	700	0.92	1	20	90	From 2700 to 5700	F
76052	Pound Shaper Short	350x265x284	30	DALI-2 PUSH	36	750	1.45	2	IP20	98	2700	E
76052	Pound Shaper Short	350x265x284	30	DALI-2 PUSH	36	750	1.45	2	IP20	98	2700	E
76052	Pound Shaper Short	350x265x284	30	DALI-2 PUSH	36	750	1.45	2	IP20	98	2700	E
76053	Pound Shaper Short	350x265x284	30	DALI-2 PUSH	36	750	1.45	2	IP20	98	2700	E
76053	Pound Shaper Short	350x265x284	30	DALI-2 PUSH	36	750	1.45	2	IP20	98	2700	E
76053	Pound Shaper Short	350x265x284	30	DALI-2 PUSH	36	750	1.45	2	IP20	98	2700	E
76054	Pound Shaper Short	350x230x284	30	Bluetooth Silvair	36	750	1.6	2	IP20	98	2700	E
76054	Pound Shaper Short	350x230x284	30	Bluetooth Silvair	36	750	1.6	2	IP20	98	2700	E

Ta -20°C ÷ +50°C



ISTRUZIONI DI MONTAGGIO MOUNTING INSTRUCTIONS

REVISIONE N°.
REVISION N°.

DATA

Rev.00

21/11/2024

LED-FG1747

SERIES: POUND_T / POUND_FOCUS / POUND_SHAPER / OPTUS_T / OPTUS_VW | Bluetooth Silvair | Dim on Board

BRAND: i-LÈD

76054	Pound Shaper Short	350x230x284	30	Bluetooth Silvair	36	750	1.6	2	IP20	98	2700	E
76055	Pound Shaper Short	350x230x284	30	Bluetooth Silvair	36	750	1.6	2	IP20	98	2700	E
76055	Pound Shaper Short	350x230x284	30	Bluetooth Silvair	36	750	1.6	2	IP20	98	2700	E
76055	Pound Shaper Short	350x230x284	30	Bluetooth Silvair	36	750	1.6	2	IP20	98	2700	E
76056	Pound Shaper Short	360x158x284	30	Dimming on Board	36	750	1.6	2	IP20	98	2700	E
76056	Pound Shaper Short	360x158x284	30	Dimming on Board	36	750	1.6	2	IP20	98	2700	E
76056	Pound Shaper Short	360x158x284	30	Dimming on Board	36	750	1.6	2	IP20	98	2700	E
76057	Pound Shaper Short	360x158x284	30	Dimming on Board	36	750	1.6	2	IP20	98	2700	E
76057	Pound Shaper Short	360x158x284	30	Dimming on Board	36	750	1.6	2	IP20	98	2700	E
76057	Pound Shaper Short	360x158x284	30	Dimming on Board	36	750	1.6	2	IP20	98	2700	E
76057	Pound Shaper Short	360x158x284	30	Dimming on Board	36	750	1.6	2	IP20	98	2700	E
76659	Pound Shaper Distance	320x265x212	13	DALI2 PUSH	36	300	0.455	2	IP20	98	2700	F
76659	Pound Shaper Distance	320x265x212	13	DALI2 PUSH	36	300	0.455	2	IP20	98	2700	F
76659	Pound Shaper Distance	320x265x212	13	DALI2 PUSH	36	300	0.455	2	IP20	98	2700	F
76660	Pound Shaper Distance	320x265x212	13	DALI2 PUSH	36	300	0.455	2	IP20	98	2700	F
76660	Pound Shaper Distance	320x265x212	13	DALI2 PUSH	36	300	0.455	2	IP20	98	2700	F
76661	Pound Shaper Medium	308x265x197	13	DALI2 PUSH	36	300	0.445	2	IP20	98	2700	F
76661	Pound Shaper Medium	308x265x197	13	DALI2 PUSH	36	300	0.445	2	IP20	98	2700	F
76661	Pound Shaper Medium	308x265x197	13	DALI2 PUSH	36	300	0.445	2	IP20	98	2700	F
76662	Pound Shaper Medium	308x265x197	13	DALI2 PUSH	36	300	0.445	2	IP20	98	2700	F
76662	Pound Shaper Medium	308x265x197	13	DALI2 PUSH	36	300	0.445	2	IP20	98	2700	F
76662	Pound Shaper Medium	308x265x197	13	DALI2 PUSH	36	300	0.445	2	IP20	98	2700	F
76663	Pound Shaper Distance	315x158x167	13	Bluetooth Silvair	36	300	0.54	2	IP20	98	2700	F
76663	Pound Shaper Distance	315x158x167	13	Bluetooth Silvair	36	300	0.54	2	IP20	98	2700	F
76663	Pound Shaper Distance	315x158x167	13	Bluetooth Silvair	36	300	0.54	2	IP20	98	2700	F
76664	Pound Shaper Distance	315x158x167	13	Bluetooth Silvair	36	300	0.54	2	IP20	98	2700	F
76664	Pound Shaper Distance	315x158x167	13	Bluetooth Silvair	36	300	0.54	2	IP20	98	2700	F
76664	Pound Shaper Distance	315x158x167	13	Bluetooth Silvair	36	300	0.54	2	IP20	98	2700	F
76665	Pound Shaper Medium	280x158x170	13	Bluetooth Silvair	36	300	0.53	2	IP20	98	2700	F
76665	Pound Shaper Medium	280x158x170	13	Bluetooth Silvair	36	300	0.53	2	IP20	98	2700	F
76665	Pound Shaper Medium	280x158x170	13	Bluetooth Silvair	36	300	0.53	2	IP20	98	2700	F
76666	Pound Shaper Medium	280x158x170	13	Bluetooth Silvair	36	300	0.53	2	IP20	98	2700	F
76666	Pound Shaper Medium	280x158x170	13	Bluetooth Silvair	36	300	0.53	2	IP20	98	2700	F
76666	Pound Shaper Medium	280x158x170	13	Bluetooth Silvair	36	300	0.53	2	IP20	98	2700	F
76667	Pound Shaper Distance	310x230x167	13	Dim on Board	36	300	0.54	2	IP20	98	2700	F
76667	Pound Shaper Distance	310x230x167	13	Dim on Board	36	300	0.54	2	IP20	98	2700	F
76667	Pound Shaper Distance	310x230x167	13	Dim on Board	36	300	0.54	2	IP20	98	2700	F
76667	Pound Shaper Distance	310x230x167	13	Dim on Board	36	300	0.54	2	IP20	98	2700	F
76668	Pound Shaper Distance	310x230x167	13	Dim on Board	36	300	0.54	2	IP20	98	2700	F
76668	Pound Shaper Distance	310x230x167	13	Dim on Board	36	300	0.54	2	IP20	98	2700	F
76668	Pound Shaper Distance	310x230x167	13	Dim on Board	36	300	0.54	2	IP20	98	2700	F
76669	Pound Shaper Medium	275x230x170	13	Dim on Board	36	300	0.53	2	IP20	98	2700	F
76669	Pound Shaper Medium	275x230x170	13	Dim on Board	36	300	0.53	2	IP20	98	2700	F
76669	Pound Shaper Medium	275x230x170	13	Dim on Board	36	300	0.53	2	IP20	98	2700	F
76670	Pound Shaper Medium	275x230x170	13	Dim on Board	36	300	0.53	2	IP20	98	2700	F
76670	Pound Shaper Medium	275x230x170	13	Dim on Board	36	300	0.53	2	IP20	98	2700	F
76670	Pound Shaper Medium	275x230x170	13	Dim on Board	36	300	0.53	2	IP20	98	2700	F
82072	Pound Shaper Distance	350x265x324	30	DALI2 PUSH	36	750	1.45	2	IP20	98	2700	E
82072	Pound Shaper Distance	350x265x324	30	DALI2 PUSH	36	750	1.45	2	IP20	98	2700	E
82072	Pound Shaper Distance	350x265x324	30	DALI2 PUSH	36	750	1.45	2	IP20	98	2700	E
82073	Pound Shaper Distance	320x265x212	13	DALI2 PUSH	36	300	0.455	2	IP20	98	2700	G
82073	Pound Shaper Distance	320x265x212	13	DALI2 PUSH	36	300	0.455	2	IP20	98	2700	G
82073	Pound Shaper Distance	320x265x212	13	DALI2 PUSH	36	300	0.455	2	IP20	98	2700	G
82114	Pound Shaper Distance	350x265x324	30	DALI2 PUSH	36	750	1.45	2	IP20	98	2700	E
82114	Pound Shaper Distance	350x265x324	30	DALI2 PUSH	36	750	1.45	2	IP20	98	2700	E
82114	Pound Shaper Distance	350x265x324	30	DALI2 PUSH	36	750	1.45	2	IP20	98	2700	E
82115	Pound Shaper Distance	320x265x212	13	DALI2 PUSH	36	300	0.455	2	IP20	98	2700	G
82115	Pound Shaper Distance	320x265x212	13	DALI2 PUSH	36	300	0.455	2	IP20	98	2700	G
82115	Pound Shaper Distance	320x265x212	13	DALI2 PUSH	36	300	0.455	2	IP20	98	2700	G
82121	Pound Shaper Distance	350x158x324	30	Dim on Board	36	750	1.6	2	IP20	98	2700	E
82121	Pound Shaper Distance	350x158x324	30	Dim on Board	36	750	1.6	2	IP20	98	2700	E
82121	Pound Shaper Distance	350x158x324	30	Dim on Board	36	750	1.6	2	IP20	98	2700	E
82122	Pound Shaper Distance	350x158x324	30	Dim on Board	36	750	1.6	2	IP20	98	2700	E
82122	Pound Shaper Distance	350x158x324	30	Dim on Board	36	750	1.6	2	IP20	98	2700	E
82122	Pound Shaper Distance	350x158x324	30	Dim on Board	36	750	1.6	2	IP20	98	2700	E

Ta -20°C ÷ +50°C

SERIES: POUND_T / POUND_FOCUS / POUND_SHAPER / OPTUS_T / OPTUS_WW | Bluetooth SilvaIR | Dim on Board

BRAND: **i-LÈD**

MISURE / DIMENSIONS

<p>ON/OFF DALI DALI 2 PUSH POUND_T 13 W DC - 15,5 W AC</p>	<p>ON/OFF DALI DALI 2 PUSH POUND_T 26 W DC - 29 W AC</p>	<p>ON/OFF DALI DALI 2 PUSH POUND_T 34 W DC - 39 W AC</p>	<p>ON/OFF DALI DALI 2 PUSH POUND_T Super Spot 7,2 W DC - 9 W AC</p>	<p>DALI DW 2 DT POUND_T Dynamic White 8 W DC - 9 W AC (x channel)</p>
<p>DALI DW 2 DT POUND_T Dynamic White 15 W DC - 17,5 W AC (x channel)</p>	<p>D.O.B. SILVAIR POUND_T 13 W DC - 15,5 W AC Bluetooth SILVAIR Dim on Board</p>	<p>D.O.B. SILVAIR POUND_T 23 W DC - 26 W AC Bluetooth SILVAIR Dim on Board</p>	<p>D.O.B. SILVAIR POUND_T 32,5 W DC - 37,5 W AC Bluetooth SILVAIR Dim on Board</p>	<p>DALI DALI 2 PUSH POUND_FOCUS 13,5 W DC - 15,5 W AC</p>
<p>DALI DALI 2 PUSH POUND_FOCUS 23 W DC - 29 W AC</p>	<p>DALI DALI 2 PUSH POUND_FOCUS 32,5 W DC - 37 W AC</p>	<p>D.O.B. SILVAIR POUND_T 13 W DC - 15,5 W AC Bluetooth SILVAIR Dim on Board</p>	<p>D.O.B. SILVAIR POUND_T 23 W DC - 29 W AC Bluetooth SILVAIR Dim on Board</p>	<p>D.O.B. SILVAIR POUND_T 32,5 W DC - 37 W AC Bluetooth SILVAIR Dim on Board</p>
<p>DALI DALI 2 PUSH POUND_SHAPER 11 W DC - 13 W AC Medium Distance</p>	<p>DALI DALI 2 PUSH POUND_SHAPER 27 W DC - 30 W AC Medium Distance</p>	<p>D.O.B. SILVAIR POUND_SHAPER 11 W DC - 13 W AC Medium Distance</p>	<p>D.O.B. SILVAIR POUND_SHAPER 27 W DC - 30 W AC Medium Distance</p>	

MISURA DRIVER IN BASE ALLA TIPOLOGIA DI CONTROLLO
DRIVER LENGTH BASED ON CONTROL TYPE

ON/OFF DALI DALI 2 PUSH SILVAIR	158	31
DALI DW 2 DT	255	31
DALI DALI 2 PUSH	255	31

POUND
SERIE RANGE

OPTUS
SERIE RANGE

<p>ON/OFF DALI DALI 2 PUSH OPTUS_WW 17 W DC - 19 W AC</p>	<p>ON/OFF DALI DALI 2 PUSH OPTUS_WW 27 W DC - 30 W AC</p>	<p>D.O.B. SILVAIR OPTUS_T 17 W DC - 19 W AC</p>	<p>D.O.B. SILVAIR OPTUS_T 27 W DC - 30 W AC</p>
--	--	--	--

SERIES: POUND_T / POUND_FOCUS / POUND_SHAPER / OPTUS_T / OPTUS_WW | Bluetooth Silvair | Dim on Board

BRAND: **i-LèD**

MISURE / DIMENSIONS

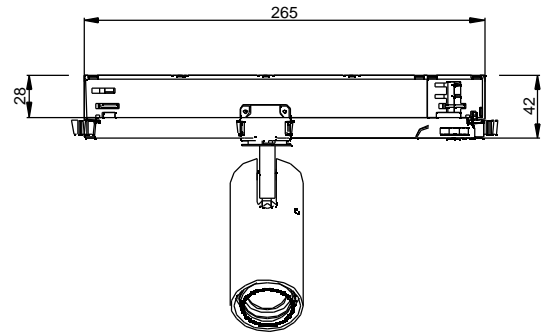
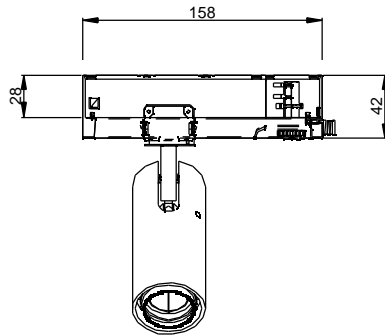
<p>138</p> <p>ON/OFF DALI DALI 2 PUSH</p> <p>POUND_T 13 W DC - 15,5 W AC</p>	<p>186</p> <p>ON/OFF DALI DALI 2 PUSH</p> <p>POUND_T 26 W DC - 29 W AC</p>	<p>213</p> <p>ON/OFF DALI DALI 2 PUSH</p> <p>POUND_T 34 W DC - 39 W AC</p>	<p>137</p> <p>ON/OFF DALI DALI 2 PUSH</p> <p>POUND_T Super Spot 7,2 W DC - 9 W AC</p>	<p>137</p> <p>DALI DW 2</p> <p>POUND_T Dynamic White 8 W DC - 9 W AC (x channel)</p>
<p>211</p> <p>DALI DW 2</p> <p>POUND_T Dynamic White 15 W DC - 17,5 W AC (x channel)</p>	<p>178</p> <p>D.O.B. SILVAIR</p> <p>POUND_T 13 W DC - 15,5 W AC Bluetooth SILVAIR Dim on Board</p>	<p>228</p> <p>D.O.B. SILVAIR</p> <p>POUND_T 23 W DC - 26 W AC Bluetooth SILVAIR Dim on Board</p>	<p>233</p> <p>D.O.B. SILVAIR</p> <p>POUND_T 32,5 W DC - 37,5 W AC Bluetooth SILVAIR Dim on Board</p>	<p>156</p> <p>DALI DALI 2 PUSH</p> <p>POUND_FOCUS 13,5 W DC - 15,5 W AC</p>
<p>136</p> <p>DALI DALI 2 PUSH</p> <p>POUND_FOCUS 23 W DC - 29 W AC</p>	<p>223</p> <p>DALI DALI 2 PUSH</p> <p>POUND_FOCUS 32,5 W DC - 37 W AC</p>	<p>183</p> <p>D.O.B. SILVAIR</p> <p>POUND_T 13 W DC - 15,5 W AC Bluetooth SILVAIR Dim on Board</p>	<p>236</p> <p>D.O.B. SILVAIR</p> <p>POUND_T 23 W DC - 29 W AC Bluetooth SILVAIR Dim on Board</p>	<p>263</p> <p>D.O.B. SILVAIR</p> <p>POUND_T 32,5 W DC - 37 W AC Bluetooth SILVAIR Dim on Board</p>
<p>236</p> <p>DALI DALI 2 PUSH</p> <p>POUND_SHAPER 11 W DC - 13 W AC Medium Distance</p>	<p>350</p> <p>DALI DALI 2 PUSH</p> <p>POUND_SHAPER 27 W DC - 30 W AC Medium Distance</p>	<p>272</p> <p>D.O.B. SILVAIR</p> <p>POUND_SHAPER 11 W DC - 13 W AC Medium Distance</p>	<p>367</p> <p>D.O.B. SILVAIR</p> <p>POUND_SHAPER 27 W DC - 30 W AC Medium Distance</p>	
<p>POUND SERIE RANGE</p>				
<p>OPTUS SERIE RANGE</p>				
<p>143</p> <p>ON/OFF DALI DALI 2 PUSH</p> <p>OPTUS_WW 17 W DC - 19 W AC</p>	<p>165</p> <p>ON/OFF DALI DALI 2 PUSH</p> <p>OPTUS_WW 27 W DC - 30 W AC</p>	<p>178</p> <p>ON/OFF DALI DALI 2 PUSH</p> <p>OPTUS_T 17 W DC - 19 W AC</p>	<p>99</p> <p>ON/OFF DALI DALI 2 PUSH</p> <p>OPTUS_T 24 W DC - 27 W AC</p>	<p>108</p> <p>ON/OFF DALI DALI 2 PUSH</p> <p>OPTUS_T 34 W DC - 39 W AC</p>
<p>202</p> <p>D.O.B. SILVAIR</p> <p>OPTUS_T 27 W DC - 30 W AC</p>				

SERIES: POUND_T / POUND_FOCUS / POUND_SHAPER / OPTUS_T / OPTUS_WW | Bluetooth Silvair | Dim on Board

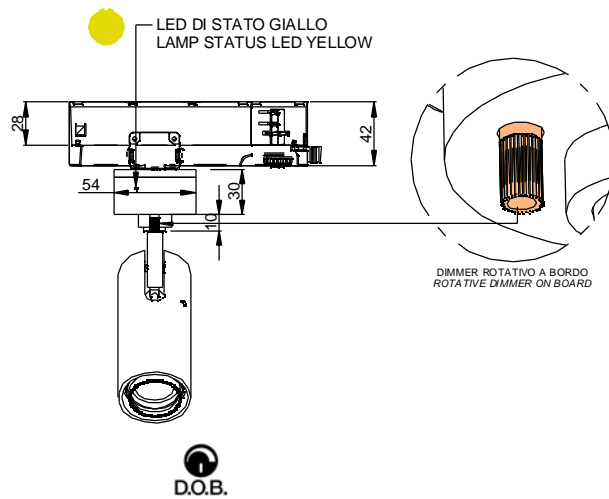
BRAND: i-LèD

PRE-INSTALLAZIONE/ PRE-INSTALLATION

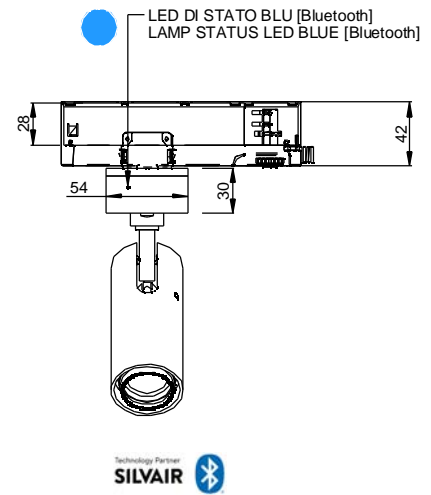
INDIVIDUARE IL TIPO DI ADATTATORE DRIVER A BINARIO A SECONDA DELLA TECNOLOGIA
FIND THE TRACK DRIVER/ADAPTER DIMENSIONS ACCORNDING TO ITS TECHNOLOGY



ON/OFF

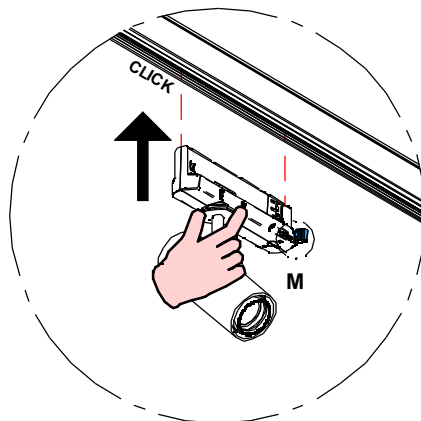
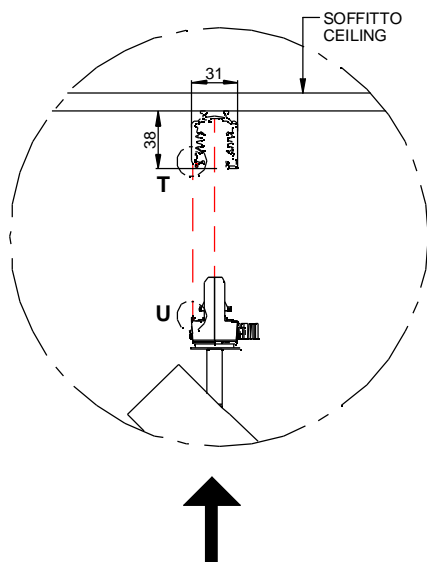


DALI DALI DW 2 PUSH DT8

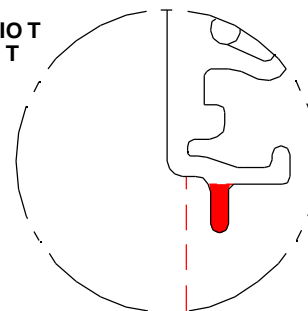


INSTALLAZIONE / INSTALLATION

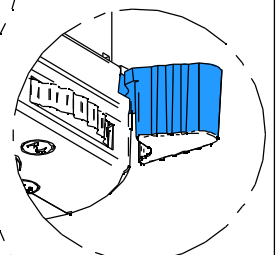
ON/OFF Technology Partner



**DETTAGLIO T
DETAIL T**



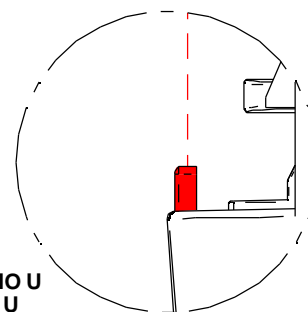
**DETTAGLIO M
DETAIL M**



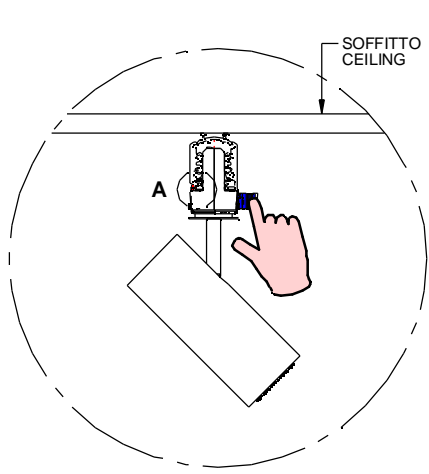
IL SELETTORE DEVE ESSERE IN POSIZIONE OFF IN BLU

THE LEVER NEEDS TO BE IN OFF POSITION AS SWOWN AS BLUE

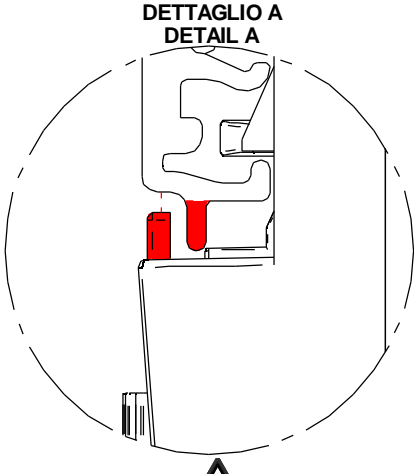
**DETTAGLIO U
DETAIL U**



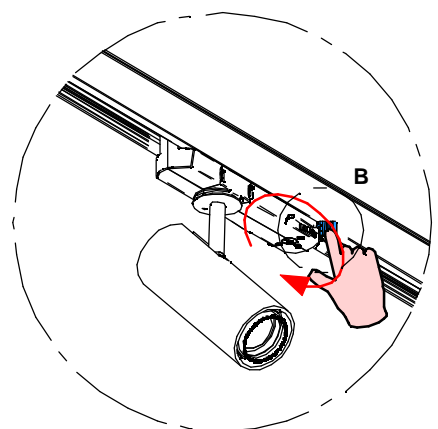
SERIES: POUND_T / POUND_FOCUS / POUND_SHAPER / OPTUS_T / OPTUS_WW | Bluetooth Silvair | Dim on Board
 BRAND: i-LèD



PREMERE IL SELETTORE PARALLELAMENTE AL SOFFITTO FARLO RUOTARE DI 90° FINO A CHE SI BLOCCA
 PUSH THE LEVER PARALLEL TO THE CEILING, MUST BE ROTATED 90° UNTIL IT LOCKS



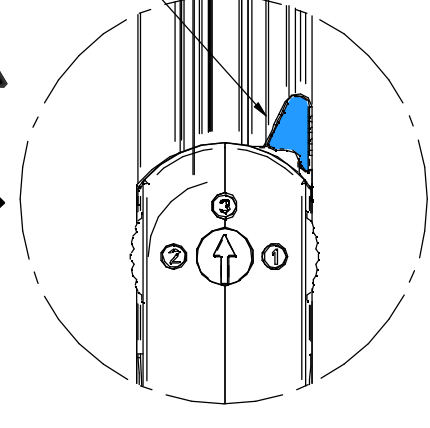
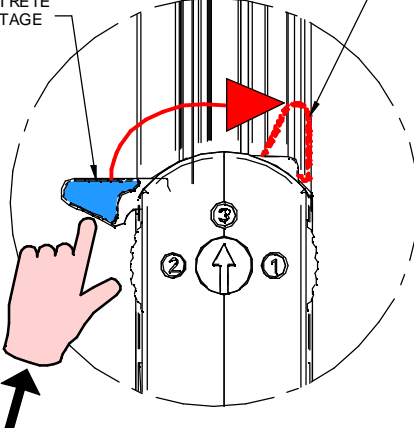
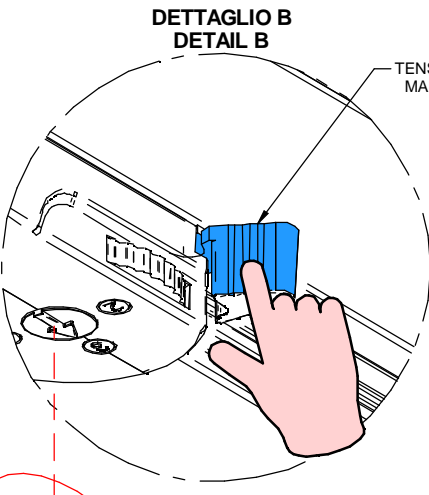
LE DUE PARTI IN ROSSO DEVONO ESSEERE POSIZIONATE DALLLO STESSO LATO
 THE TWO HIGHLIGHTED RED PARTS MUST BE ON THE SAME SIDE



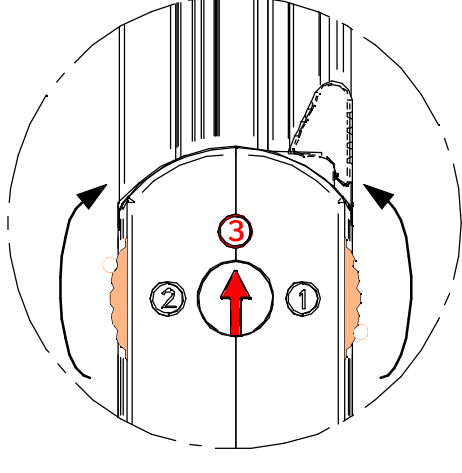
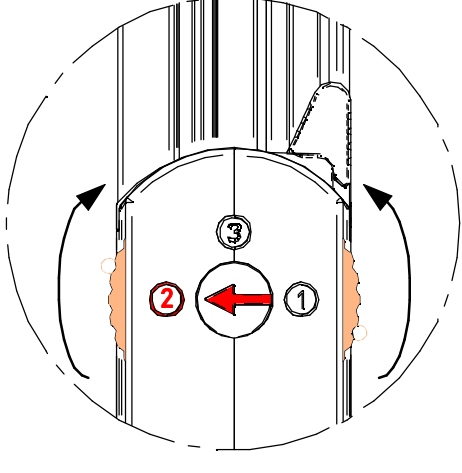
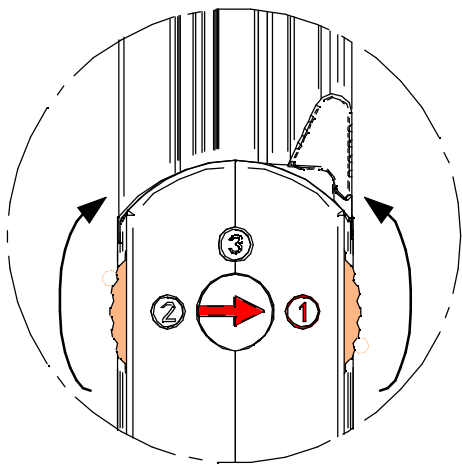
OFF

CLICK

ON



SELEZIONARE LA LINEA TRA 1, 2, 3, RUORANDO IL SELETTORE IN ARANCIONE
 SELECT THE LINE SUPPLY AMONG 1, 2, 3, USING THE ORANGE HIGHLIGHTED ROTATIVE SELECTOR

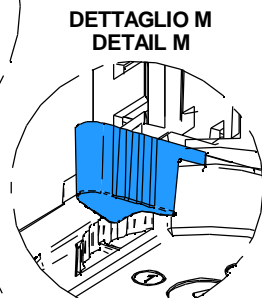
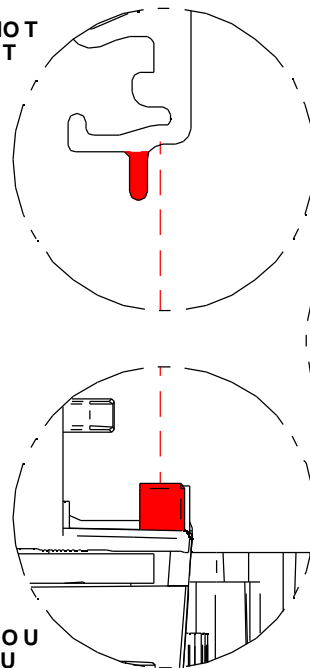
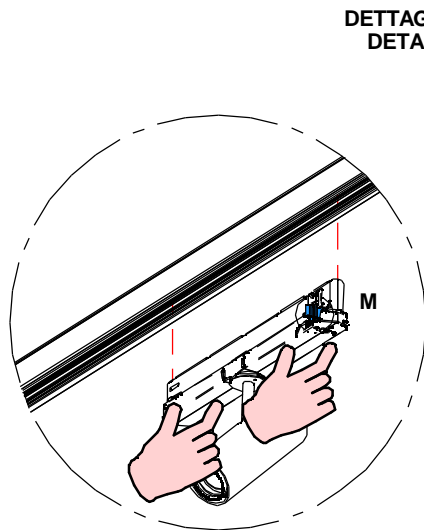
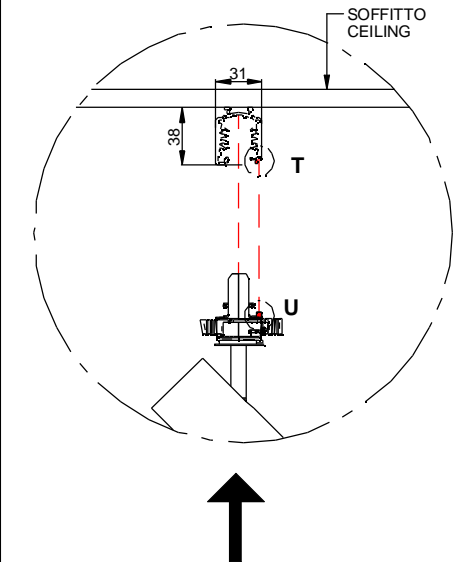


SERIES: POUND_T / POUND_FOCUS / POUND_SHAPER / OPTUS_T / OPTUS_WW | Bluetooth Silvair | Dim on Board

BRAND: i-LÉD

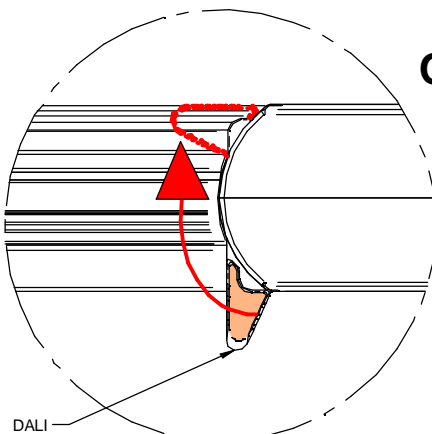
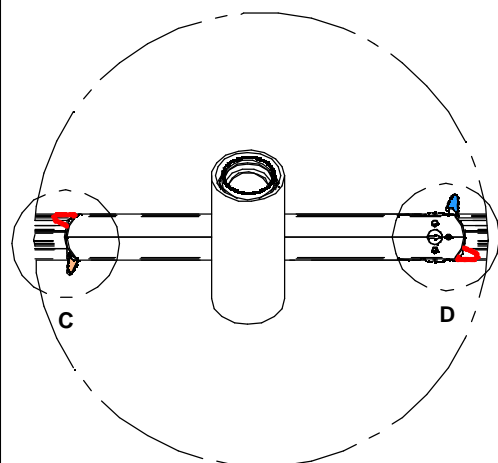
INSTALLAZIONE / INSTALLATION

DALI DALI DW
2 PUSH DT8

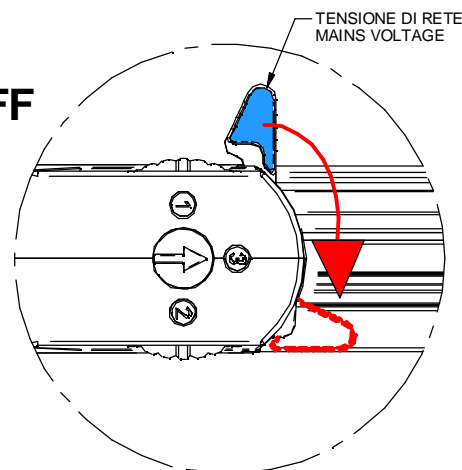


IL SELETTORE DEVE ESSERE IN POSIZIONE OFF IN BLU

THE LEVER NEEDS TO BE IN OFF POSITION AS SWOWN AS BLUE



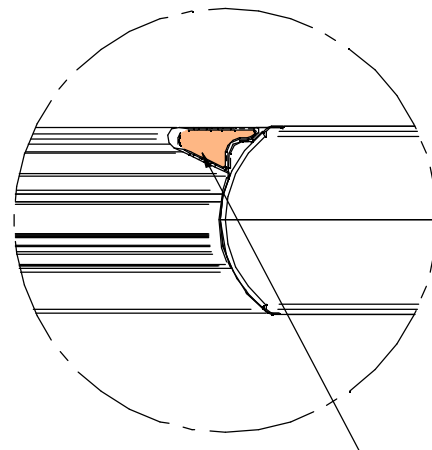
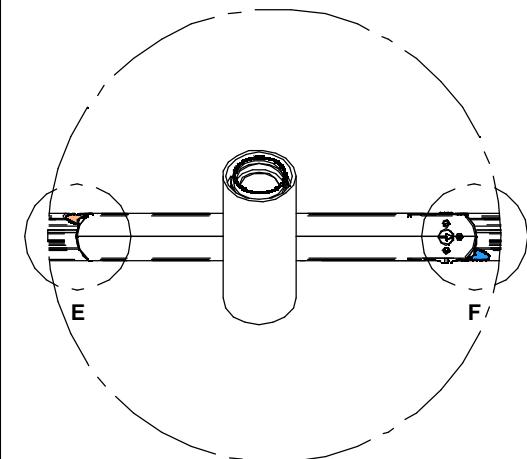
OFF



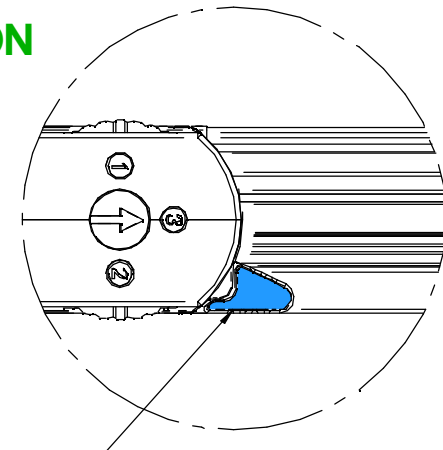
TENSIONE DI RETE MAINS VOLTAGE

DETTAGLIO C
DETAIL C

DETTAGLIO D
DETAIL D



ON



DETTAGLIO E
DETAIL E

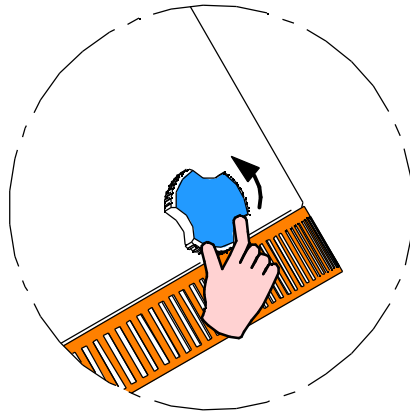
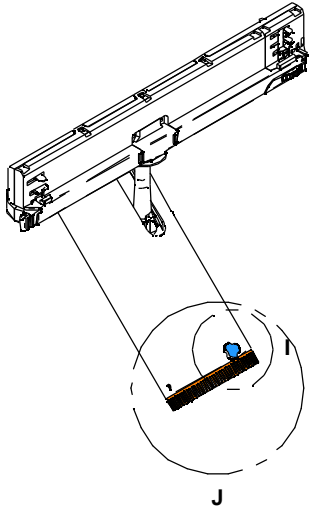
DETTAGLIO F
DETAIL F

CLICK

SERIES: POUND_T / POUND_FOCUS / POUND_SHAPER / OPTUS_T / OPTUS_WW | Bluetooth Silvair | Dim on Board

BRAND: i-LèD

FUNZIONAMENTO OTTICHE CON FOCALE VARIABILE / ADJUSTABLE FOCUS FITTINGS FUNCTIONING



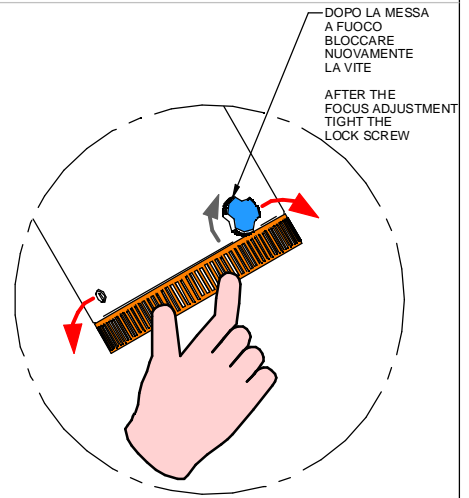
DETTAGLIO I
DETAIL I

LA VITE DI BLOCCO DELLA FOCARE DEVE ESSERE SVITATA PRIMA DELLA REGOLAZIONE IN BLU

RUOTARE LA GHIERA PER AUMENTARE O DIMINUIRE LA FOCALE

THE OPTICS LOCK SCREW NEEDS TO BE LOSEN BEFORE ADJUSTING THE FOCUS BLUE HIGHLIGHTED

ROTATE THE ORANGE HIGHLIGHTED PART TO ADJUST THE FOCUS



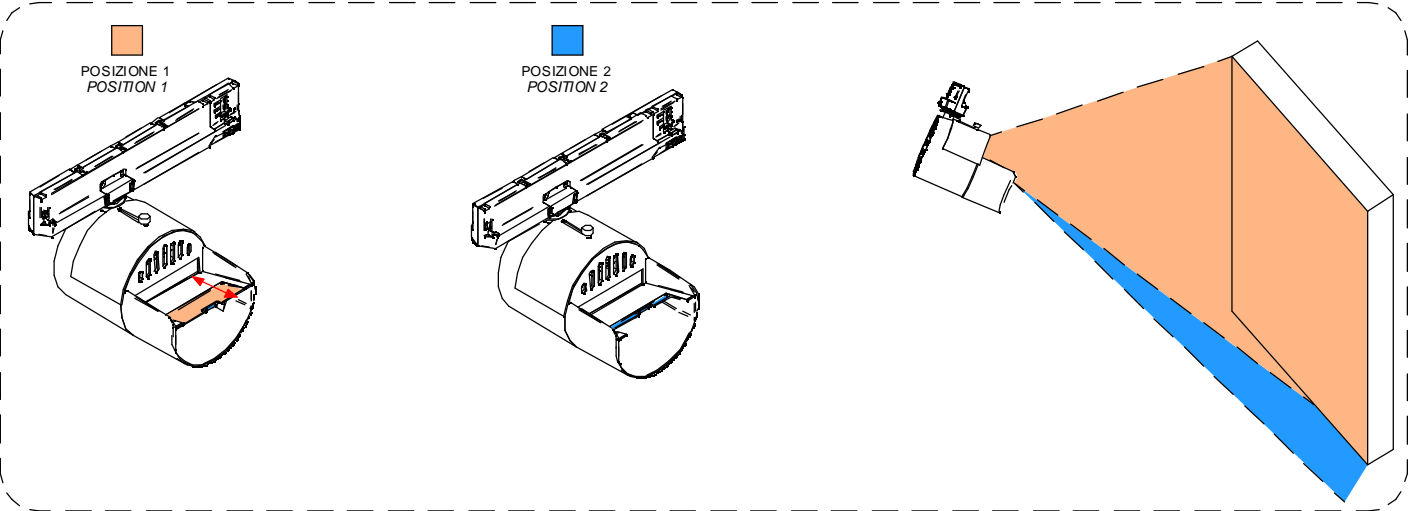
DETTAGLIO J
DETAIL J

DOPO LA MESSA A FUOCO BLOCCARE NUOVAMENTE LA VITE

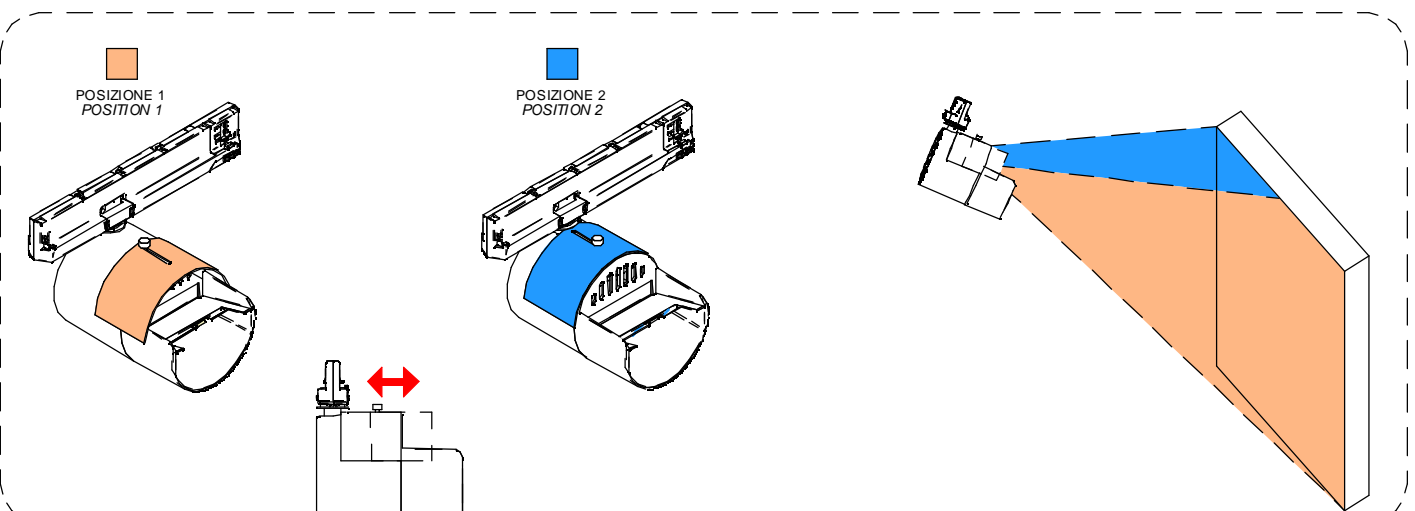
AFTER THE FOCUS ADJUSTMENT TIGHT THE LOCK SCREW

FUNZIONAMENTO OTTICHE WALL WASHER / WALL WASHER FITTINGS FUNCTIONING

REGOLAZIONE 1
ADJUSTMENT 1



REGOLAZIONE 2
ADJUSTMENT 2



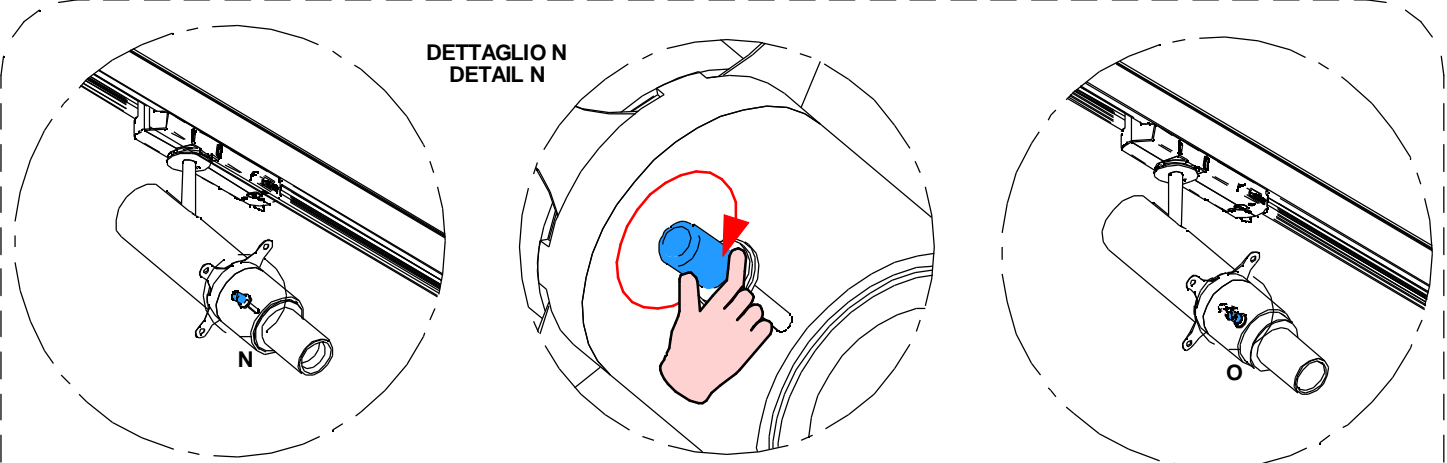
SERIES: POUND_T / POUND_FOCUS / POUND_SHAPER / OPTUS_T / OPTUS_WW | Bluetooth Silvair | Dim on Board

BRAND: i-LèD

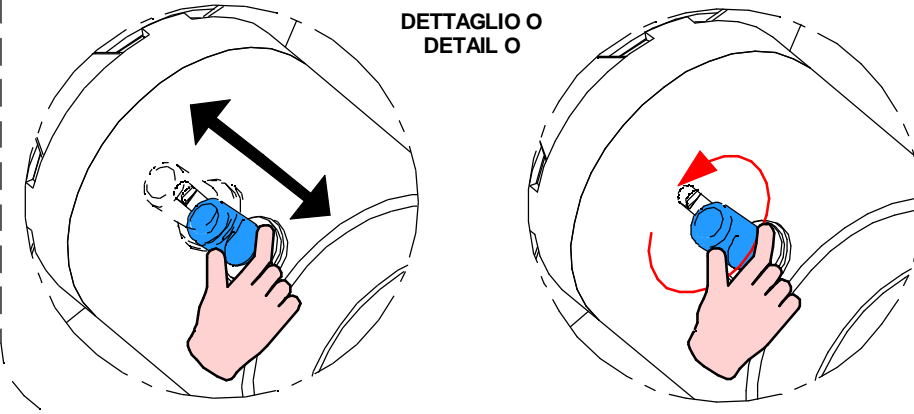
FUNZIONAMENTO POUND SHAPER / POUND SHAPER FUNCTIONING

POUND SHAPER 11W
MESSA A FUOCO
FOCUSING

DETTAGLIO N
DETAIL N

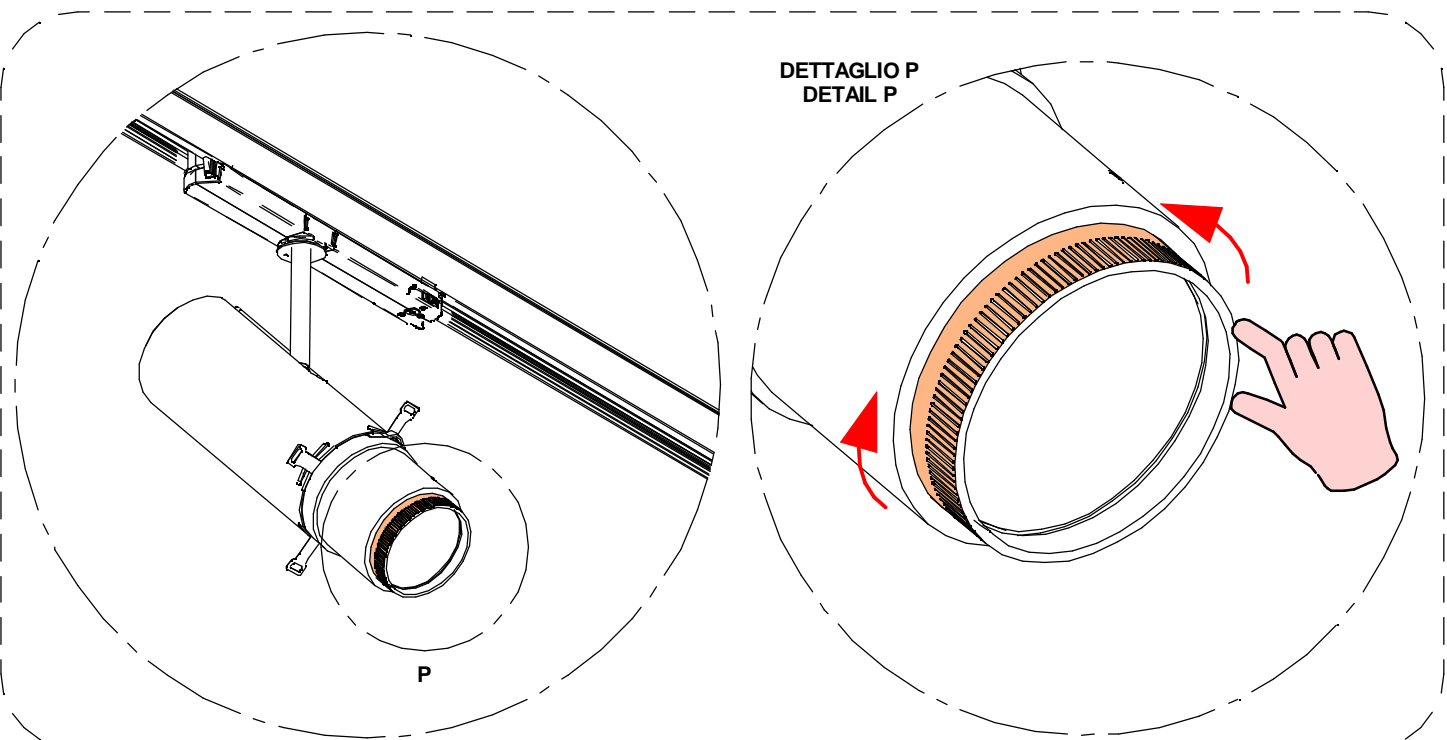


DETTAGLIO O
DETAIL O



POUND SHAPER 30W
MESSA A FUOCO
FOCUSING

DETTAGLIO P
DETAIL P

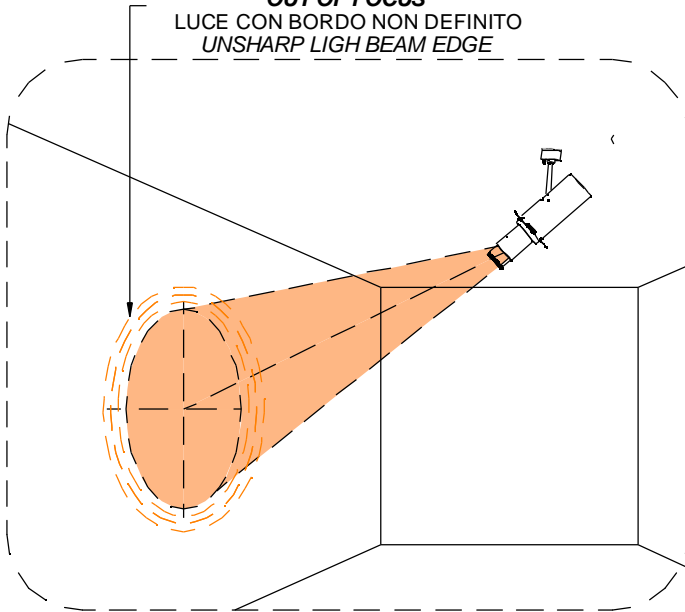


SERIES: POUND_T / POUND_FOCUS / POUND_SHAPER / OPTUS_T / OPTUS_WW | Bluetooth Silvair | Dim on Board

BRAND: i-LèD

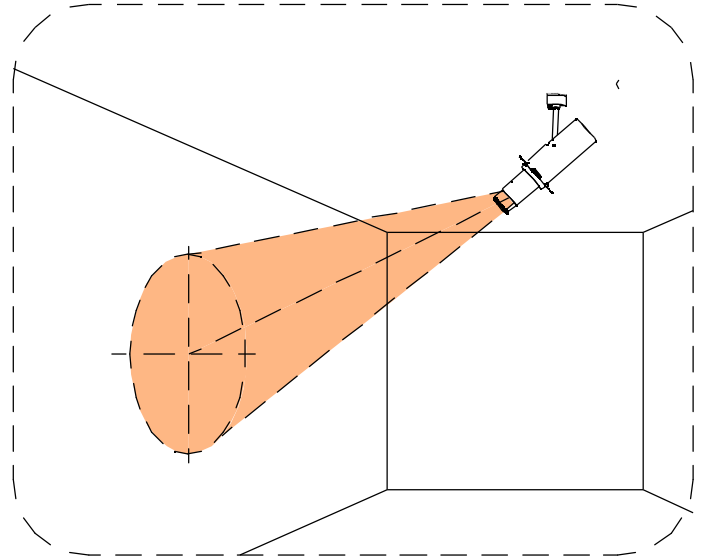
FUORI FUOCO
OUT OF FOCUS

LUCE CON BORDO NON DEFINITO
UNSHARP LIGH BEAM EDGE

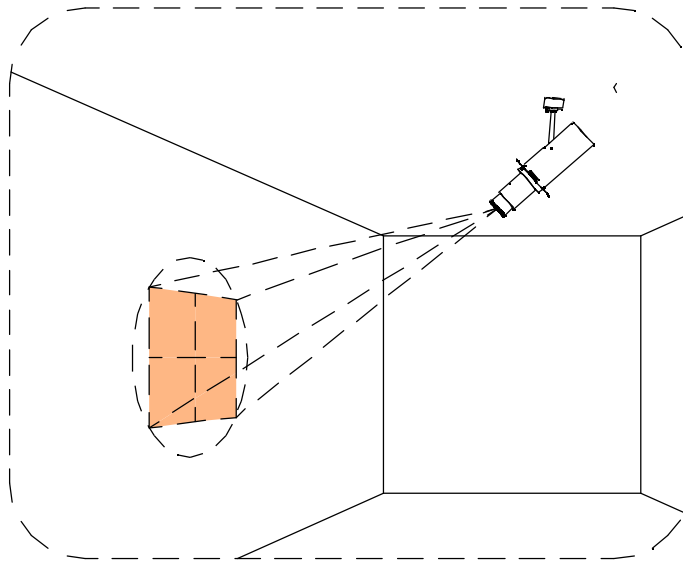
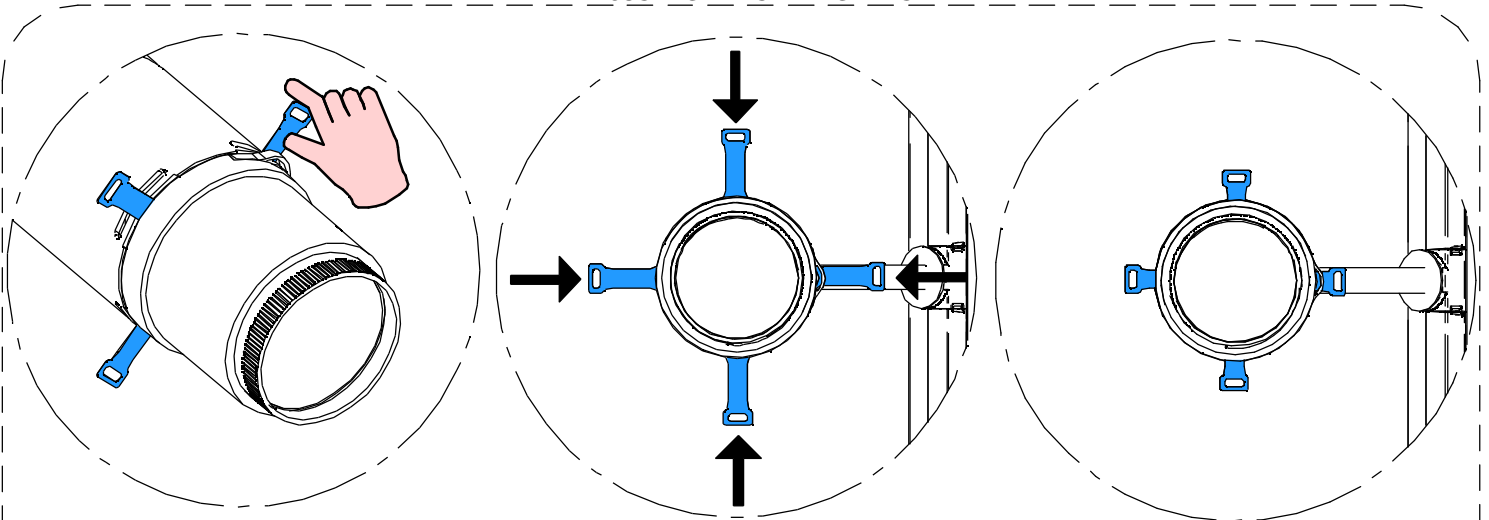


A FUOCO
IN FOCUS

LUCE CON BORDO DEFINITO
SHARP LIGH BEAM EDGE

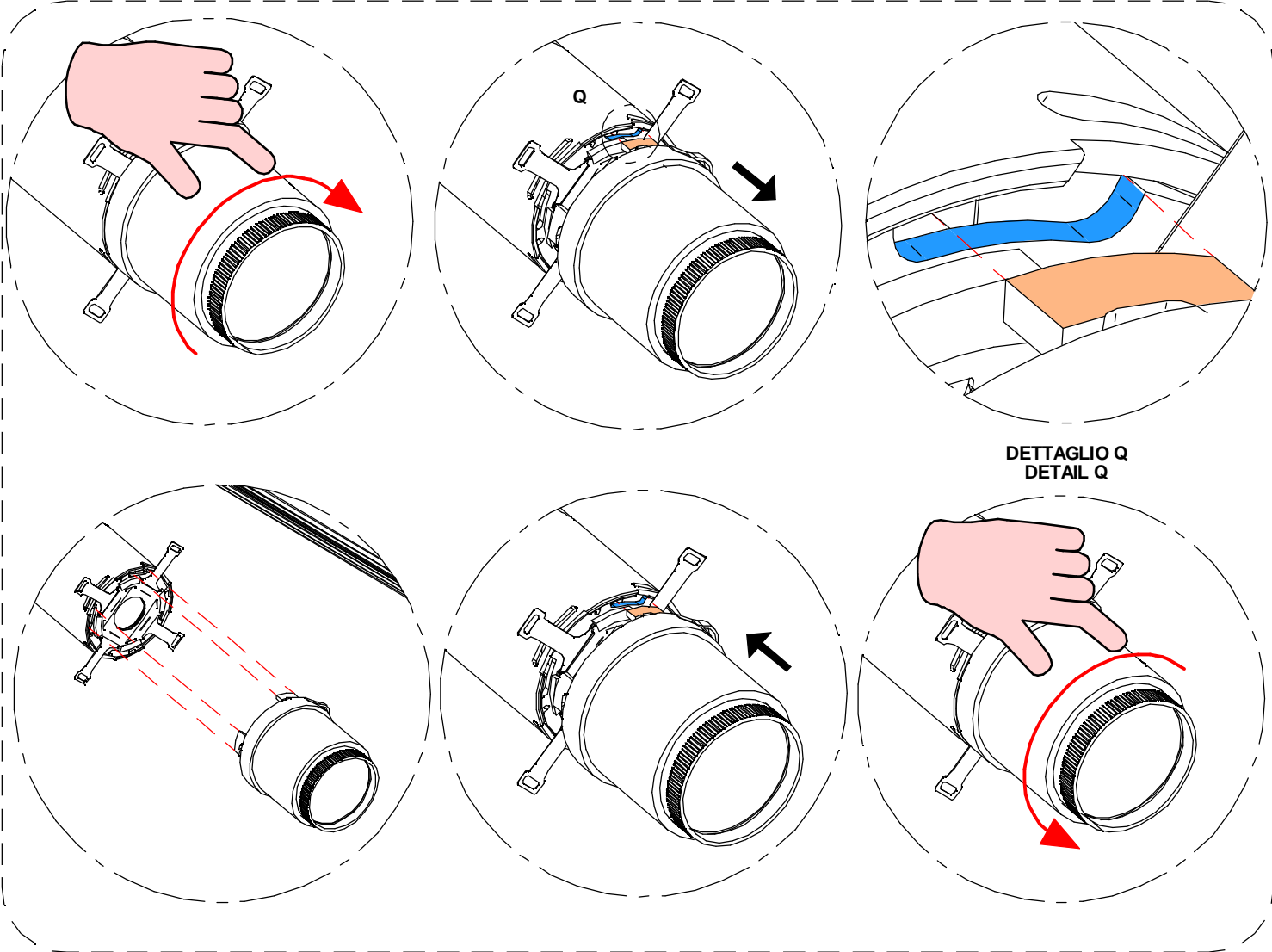


REGOLAZIONE DELLE ALETTE DI SAGOMATURA
ADJUSTING THE SHAPING TABS



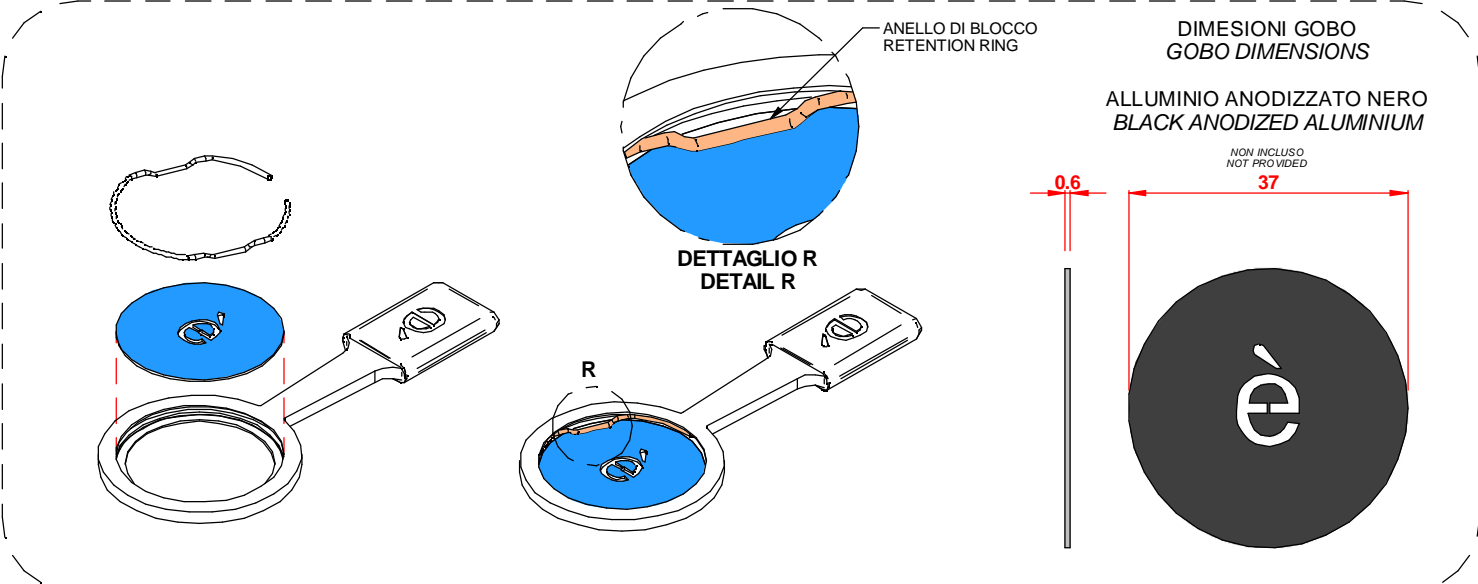
SERIES: POUND_T / POUND_FOCUS / POUND_SHAPER / OPTUS_T / OPTUS_WW | Bluetooth Silvair | Dim on Board
BRAND: i-LèD

SOSTITUZIONE DEL CORPO OTTICO
OPTICS REPLACEMENT



DETTAGLIO Q
DETAIL Q

INSERIMENTO GOBO
GOBO INSTALL



ANELLO DI BLOCCO
RETENTION RING

DIMENSIONI GOBO
GOBO DIMENSIONS

ALLUMINIO ANODIZZATO NERO
BLACK ANODIZED ALUMINIUM

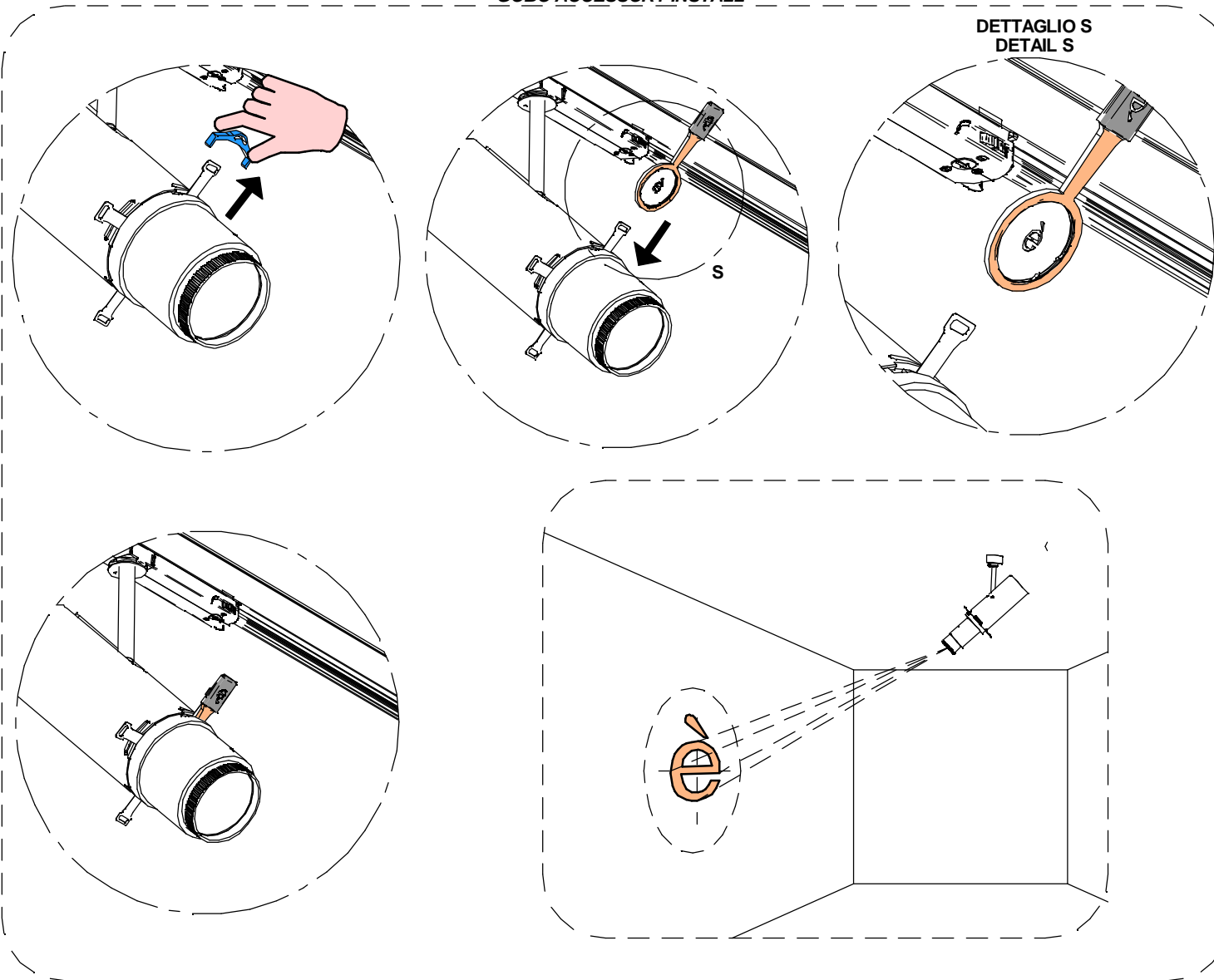
NON INCLUSO
NOT PROVIDED

DETTAGLIO R
DETAIL R

SERIES: POUND_T / POUND_FOCUS / POUND_SHAPER / OPTUS_T / OPTUS_WW | Bluetooth Silvair | Dim on Board

BRAND: i-LèD

INSERIMENTO ACCESSORIO GOBO GOBO ACCESSORY INSTALL



SERIES: POUND_T / POUND_FOCUS / POUND_SHAPER / OPTUS_T / OPTUS_WW | Bluetooth Silvair | Dim on Board

BRAND: i-LED

FUNZIONAMENTO DIMMER A BORDO / DIMMING ON BOARD FUNCTIONING

D.O.B.

DIMMER A BORDO
ON BOARD DIMMER

LED DI STATO
LED STATUS INDICATOR

DETTAGLIO G
DETAIL G

DIMMER ROTATIVO
DIMMING KNOB

DIM + DIM -

+

-

RUOTARE IN SENSO ORARIO PER AUMENTARE LA LUMINOSITA'
ROTATE CLOCKWISE TO DIM UP THE LIGHT

RUOTARE IN SENSO ANTIORARIO PER DIMINUIRE LA LUMINOSITA'
ROTATE COUNTER CLOCKWISE TO DIM DOWN THE LIGHT

FUNZIONAMENTO PRODOTTI BLUETOOTH SILVAIR / BLUETOOTH SILVAIR FITTING FUNTIONING

Technology Partner
SILVAIR

ZONA DI CONTATTO PER MAGNETE IDENTIFICATA DAL LED BLU
MAGNET RESET AREA HIGHLIGHTED BY BLUE LED

DETTAGLIO H
DETAIL H

Cloud

Power meter

Projector

Light fixture

Light fixture

Light fixture

On Off Switch

Sensor

DALI BT converter

1-10V BT converter

Light fixture

Technology Partner
SILVAIR

SERIES: POUND_T / POUND_FOCUS / POUND_SHAPER / OPTUS_T / OPTUS_VW | Bluetooth Silvair | Dim on Board

BRAND: i-LÈD

IDENTIFICAZIONE DISPOSITIVO | DEVICE IDENTIFY

Alla prima accensione del dispositivo e ogni volta che viene effettuato il reset, il sistema effettua l'identificazione della lampada. L'identificazione consiste in un'animazione definita "Attention event" con il 40% di luminosità per 500ms, 100% di luminosità per 500 ms. Anche il LED blu di stato effettua un lampeggio durante la fase di identificazione con 500ms ON/500ms OFF.

*The first time the device is turned on and every time it gets resetted, the system identifies the lamps.
The identification consists in an animation called "Attention event" with a 40% dimming for 500ms, 100% dimming for 500ms.
The blue status LED blinks during identification too, 500ms ON/500ms OFF.*

RIPRISTINO DELLE IMPOSTAZIONI DI FABBRICA DEL DISPOSITIVO BLUETOOTH | FACTORY RESET FOR BLUETOOTH DEVICE

Un ripristino delle impostazioni di fabbrica cambierà lo stato del modulo nella rete mesh da connesso a non connesso, ovvero tutte le impostazioni di rete andranno perse. Questa funzionalità è necessaria per ripristinare la connessione di un dispositivo dopo un comportamento imprevisto in cui si perde il controllo del dispositivo.

Per effettuare il ripristino alle impostazioni di fabbrica dell'apparecchiatura Bluetooth è sufficiente portare a contatto un magnete al simbolo indicato nell'involucro contenente il modulo Bluetooth. Mettere a contatto il magnete per 5 secondi. Una volta effettuato il ripristino alle impostazioni di fabbrica, il sistema effettuerà un'identificazione del dispositivo.

*A factory reset of the Bluetooth device will change the device status in the network mesh from provisioned to not provisioned, all the network settings will be lost. This feature is necessary to reset the connection of a device which cannot be longer controlled.
To perform the factory reset action on the device a magnet must be placed on the shown symbol on the box containing the bluetooth module. Keep contact for 5 seconds. Once the factory reset operation is done the system will identify the device.*

STATO DEL LED | LED STATUS

Il LED blu di stato posizionato nell'involucro contenente l'interfaccia Bluetooth effettua una serie di lampeggi a seconda dello stato in cui la lampada si trova.

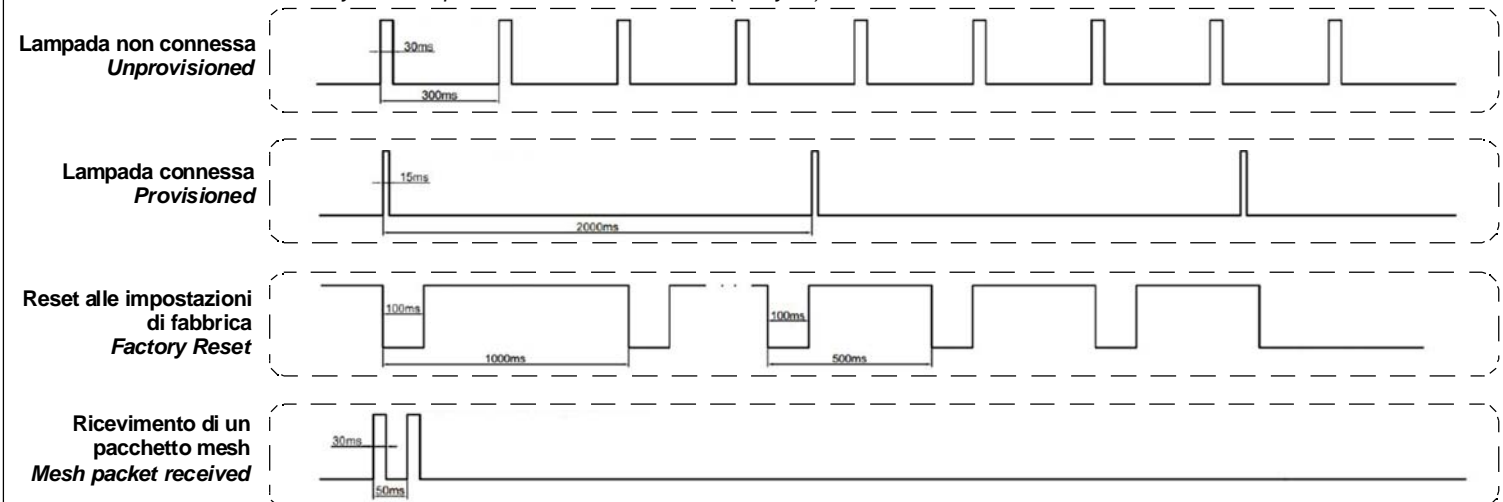
1. Lampeggio veloce / lampeggio lento
2. Il LED effettua un lampeggio veloce se la lampada non è connessa alla rete (ogni 300ms)
3. Il LED effettua un lampeggio lento se la lampada è connessa alla rete (ogni 2s)

The blue status LED placed on the box containing the Bluetooth interface performs a blink pattern depending on the lamp status.

1. Quick blinking/slow blinking
2. The LED blinks fast if the lamp is not connected to the network (every 300ms)
3. The LED blinks slowly if the lamp is connected to the network (every 2s)



ANTENNA INCORPORATA
ON BOARD ANTENNA



ALTRE INFORMAZIONI | OTHER INFORMATION

- La portata wireless potrebbe essere influenzata, in modo particolare dalle superfici metalliche. In queste condizioni la portata wireless deve essere verificata.
- Se il dispositivo non è connesso ad una rete ci vorranno circa 30 secondi perché sia visualizzato come dispositivo disponibile dopo essere stato acceso.
- Il dispositivo ha superato con successo il processo di test SILVAIR
- Supporta gli switch EnOcean EWSSB e EWSDB
- Lo strumento può essere messo in funzione attraverso l'applicazione di messa in servizio SILVAR presente nell'app store del proprio smartphone o tablet.
- Per ulteriori informazioni consultare la guida SILVAIR al seguente link: <https://silvair.com/resources/product-documents/>
- Linea Light non avrà alcuna responsabilità per qualsiasi strumento di messa in servizio di terze parti e non fornisce alcuna dichiarazione, espressa o implicita, sulla disponibilità e / o sulle prestazioni di tale strumento di messa in servizio.

- *If the device is encased in a box, the wireless range may be affected, especially by metallic surfaces. Wireless range must be verified.*
- *An unprovisioned device requires 30 seconds to be shown as available to provisioning after turning on*
- *The device successfully passed the SILVAIR test process*
- *Supporting EnOcean switch EWSSB and EWSDB*
- *The device can be operated with the SILVAIR app available for Apple phones and tablets*
- *Check the SILVAIR guide for more informations*
- *Linea Light has no responsibility for any third party instrument and does not provide any declaration, explicit or implicit, about the availability and/or the performances of said instrument.*

SERIES: POUND_T / POUND_FOCUS / POUND_SHAPER / OPTUS_T / OPTUS_WW | Bluetooth Silvair | Dim on Board

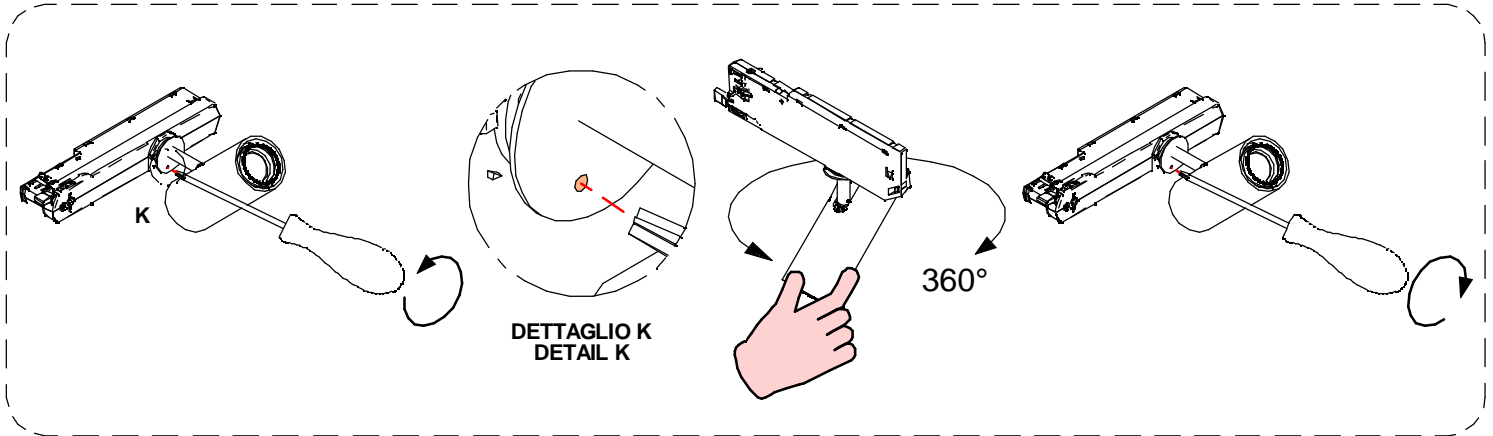
BRAND: i-LèD

ROTAZIONE E BASCULAZIONE POUND / POUND TILTING AND ROTATION

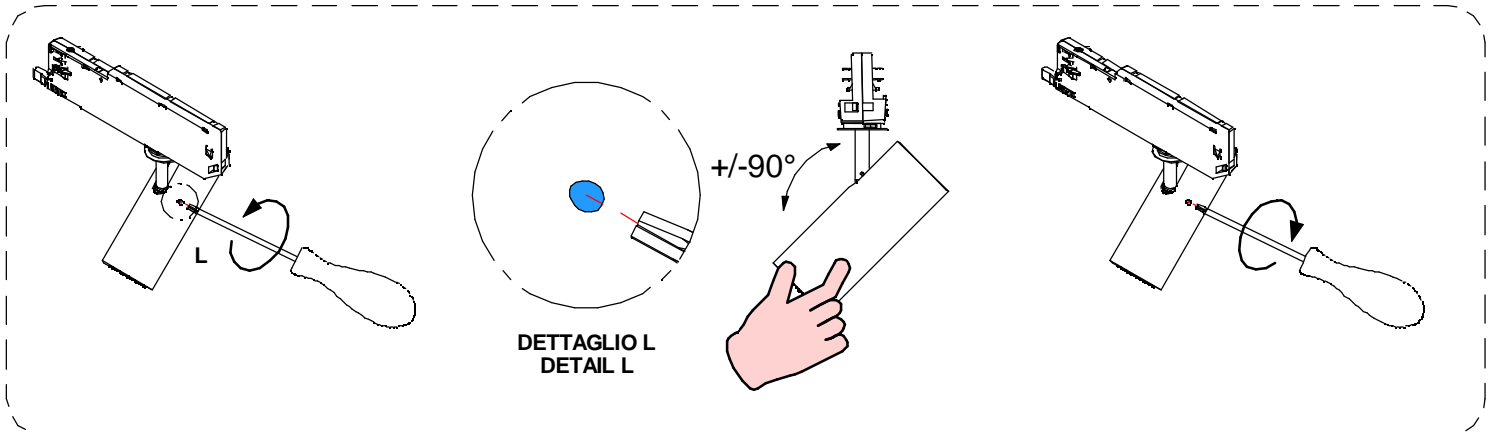
SE IL POSIZIONAMENTO DEL PRODOTTO RISULTA DIFFICILE AGIRE COME DI SEGUITO, ALLENTANDO LEGGERMENTE LE VITI NEI PUNTI INDICATI, SUCCESSIVAMENTE SERRARLE

IF POSITIONING THE PRODUCT IS DIFFICULT, PROCEED AS FOLLOWS, SLIGHTLY LOOSENING THE HIGHLIGHTED, SCREWS THEN TIGHTEN THEM

ROTAZIONE
ROTATION

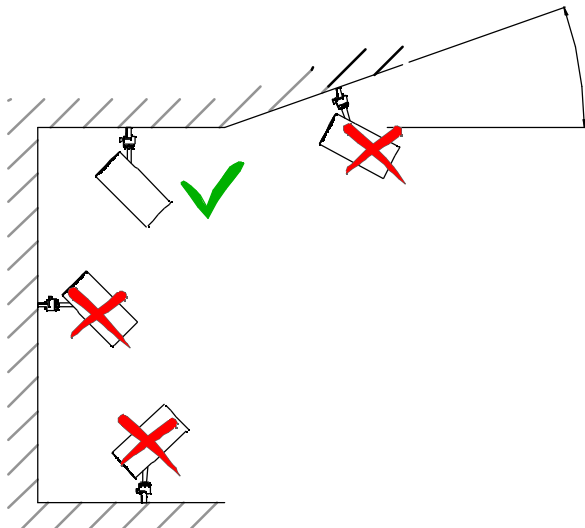


INCLINAZIONE
TILT



POSIZIONE D'INSTALLAZIONE AMMESSE / ALLOWED INSTALLATION POSITION

A PLAFONE O RECESSO SOLO SU SUPERFICIE NON INCLINATE, NON SU SUPERFICIE VERTICALI OD A TERRA
SURFACE OR RECESSED MOUNTED ONLY ON NOT SLOPED CEILING, NEITHER WALL OR GROUND



SERIES: POUND_T / POUND_FOCUS / POUND_SHAPER / OPTUS_T / OPTUS_WW | Bluetooth Silvair | Dim on Board

BRAND: i-LèD

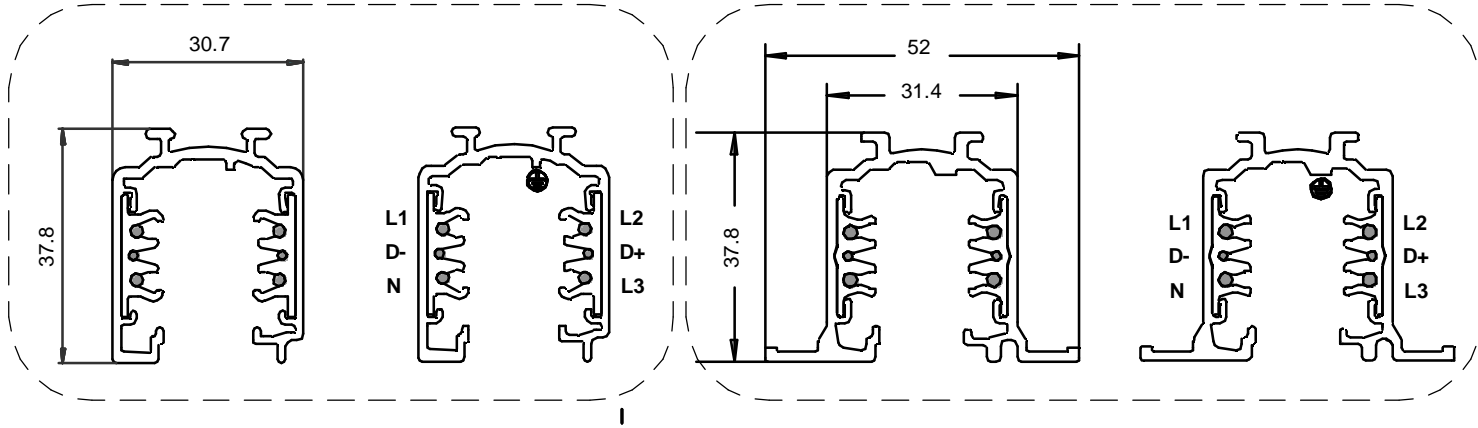
FISSAGGIO ED ELETRIFICAZIONE DEL BINARIO / TRACK FIXING AND ELECTRICAL CHARACTERISTICS

BINARIO A SOSPENSIONE / SUSPENDED TRACK

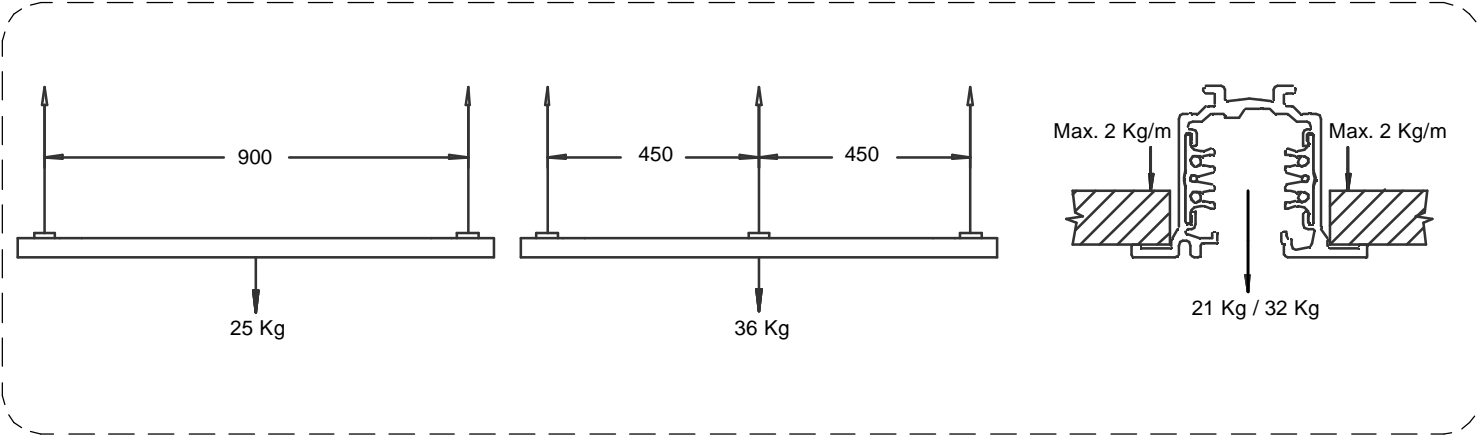
83336, 83337, 83338
83339, 83340, 83341

BINARIO AD INCASSO / RECESSED TRACK

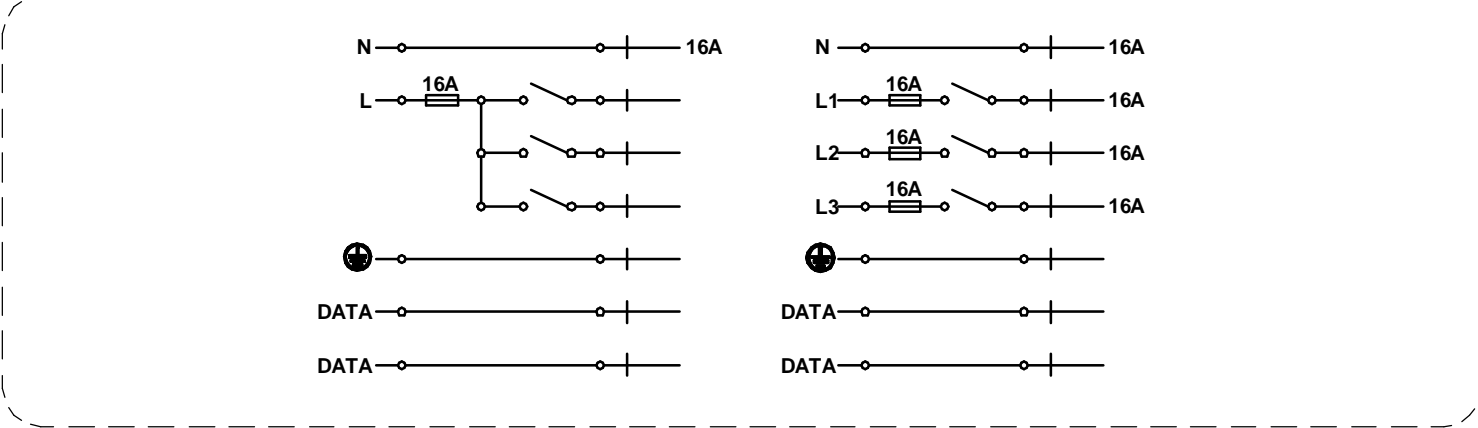
80990, 80991, 80992
80993, 80994, 80994



**SCHEMA DI CARICO
LOAD / WEIGHT SCHEME**



**SCHEMA ELETTRICO
ELECTRICAL SCHEME**



SERIES: POUND_T / POUND_FOCUS / POUND_SHAPER / OPTUS_T / OPTUS_WW | Bluetooth Silvair | Dim on Board
 BRAND: i-LèD

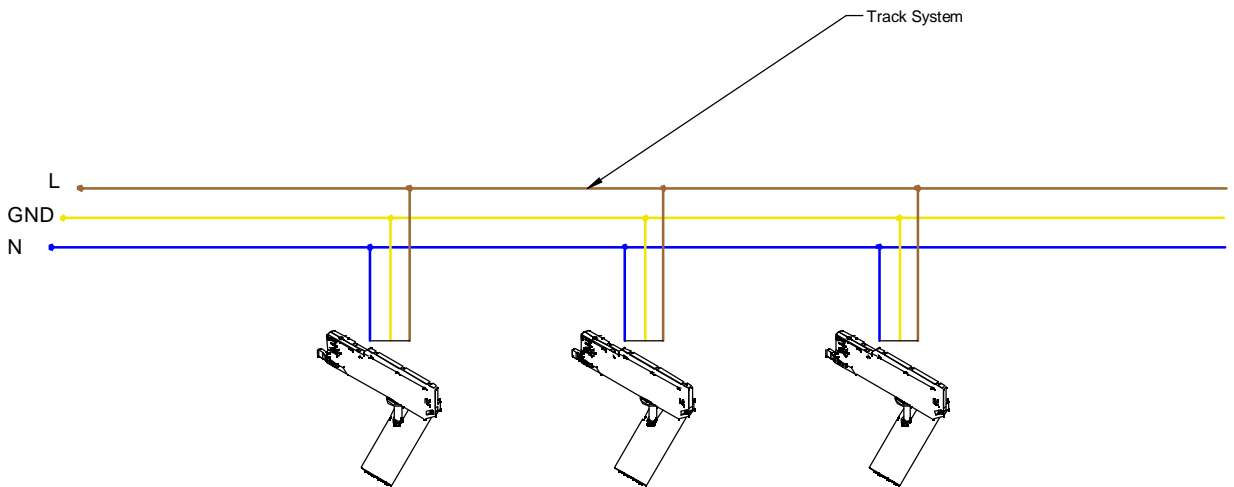
TABELLA "A" MAGNETOTERMICI
TABLE "A" MCB

TIPO TYPE	B10	B16	B20	C10	C16	C20
ON / OFF	33	53	66	53	84	105
DALI 2 / PUSH	33	53	67	53	85	107
DALI 2 / Dynamic White	29	46	58	36	57	97

ON/OFF



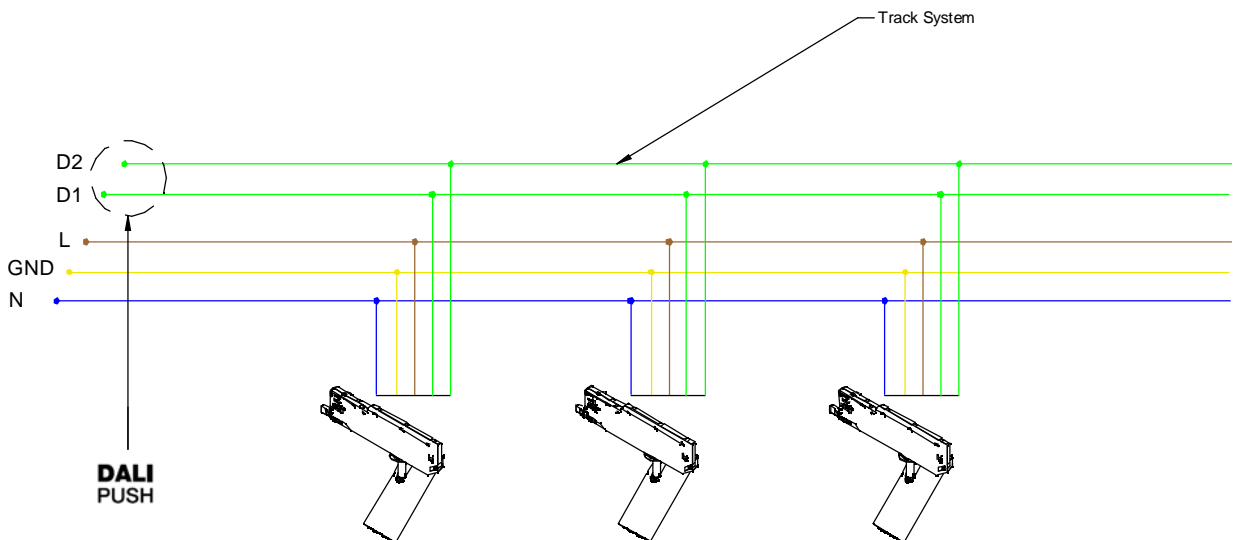
220-240
VAC
50-60
Hz



DALI 2 PUSH

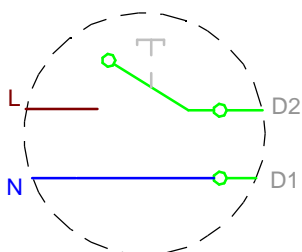


220-240
VAC
50-60
Hz



**DALI
PUSH**

Pulsante
Normalmente
Aperto
Normally Open
Button



SEGUIRE LE SCHEDE TECNICHE DEI
DRIVER PER I DIAGRAMMI DI
COLLEGAMENTO DEL PRODUTTORE

FOLLOW THE DRIVERS DATASHEET
FOR THE MANUFACTURER DETAILED
WIRING