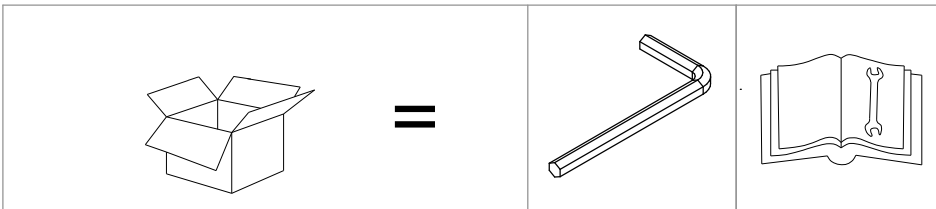
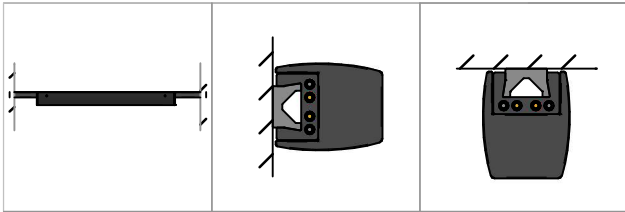
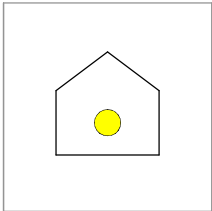
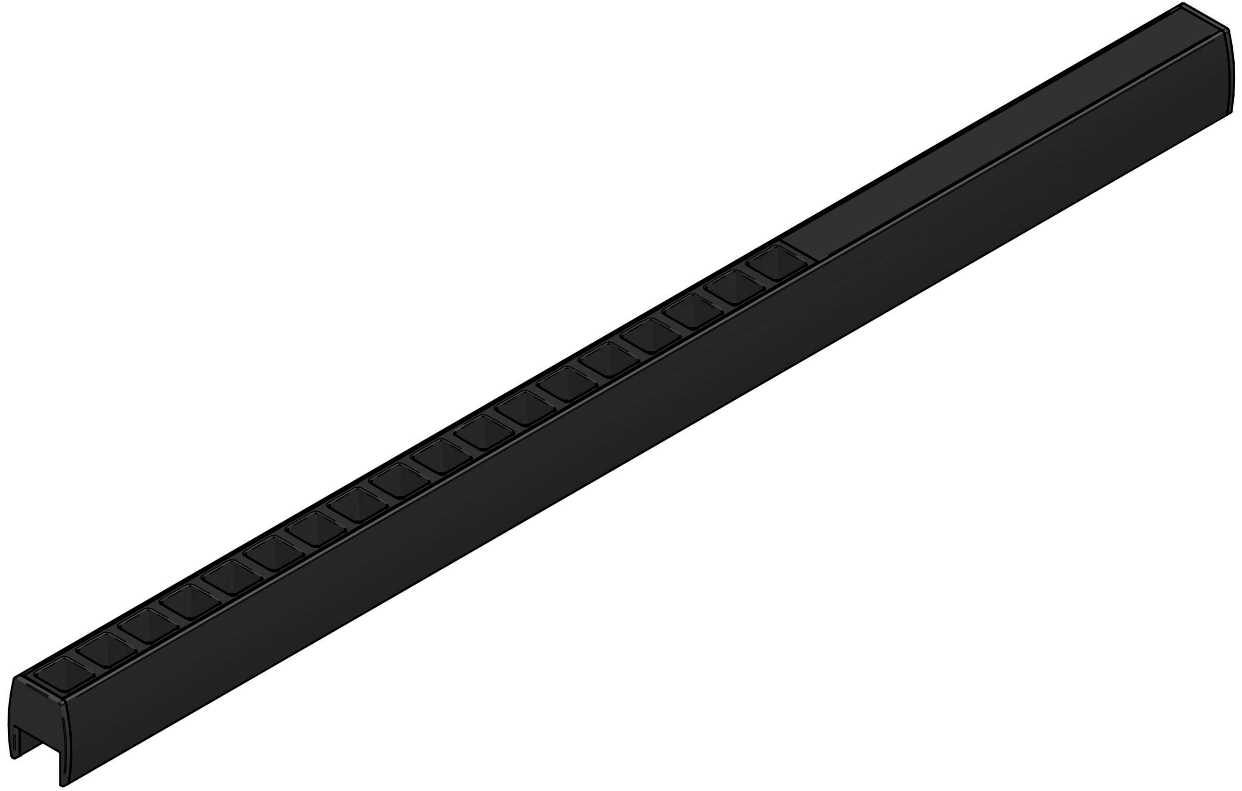
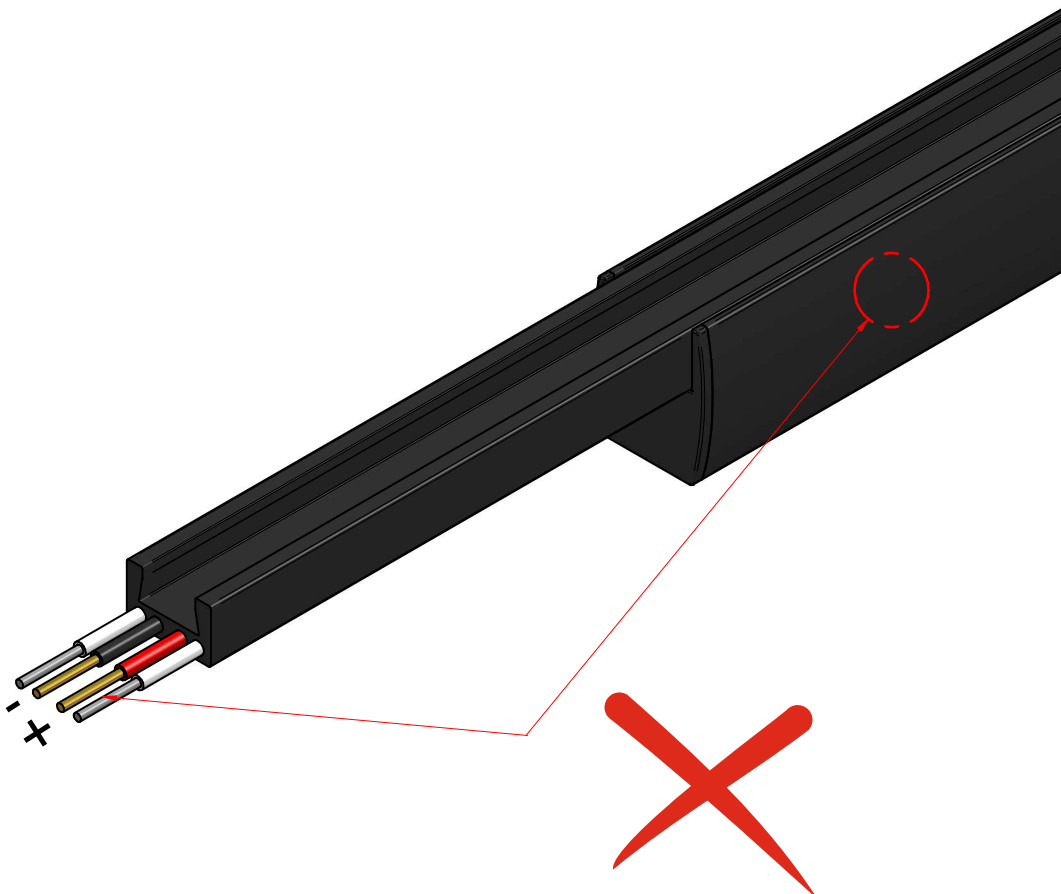
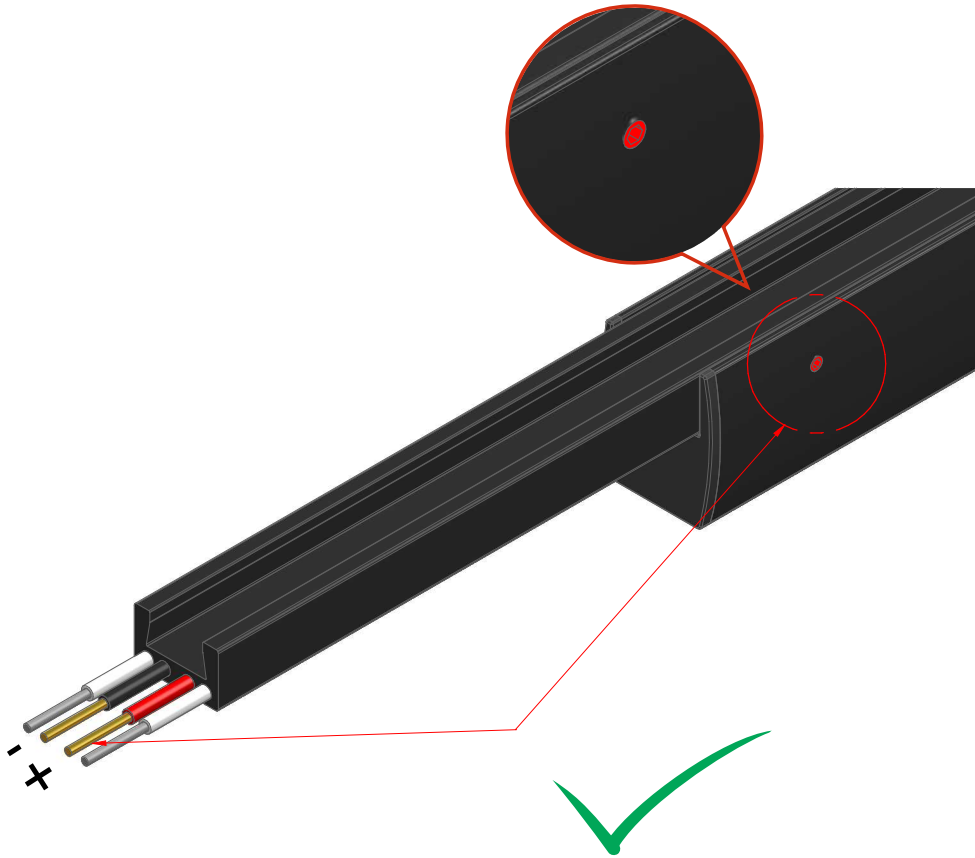
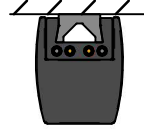
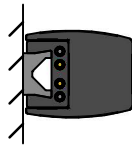


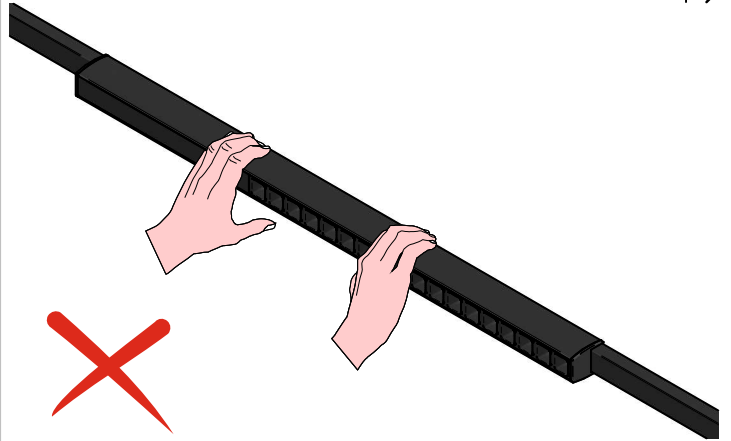
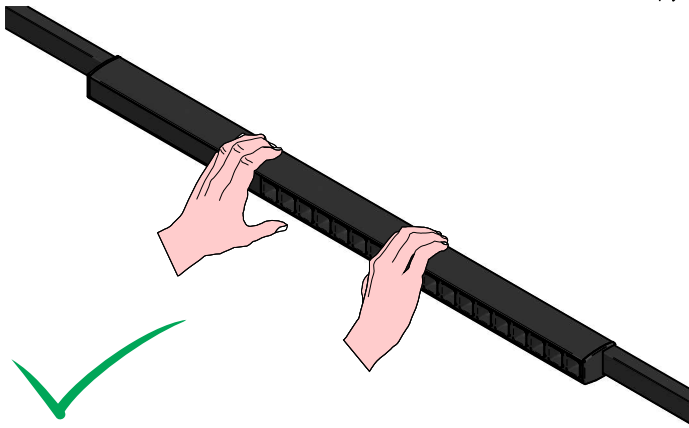
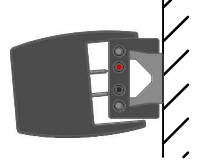
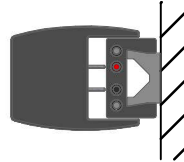
L300 ■ L600 ■
83970W30 83971W30



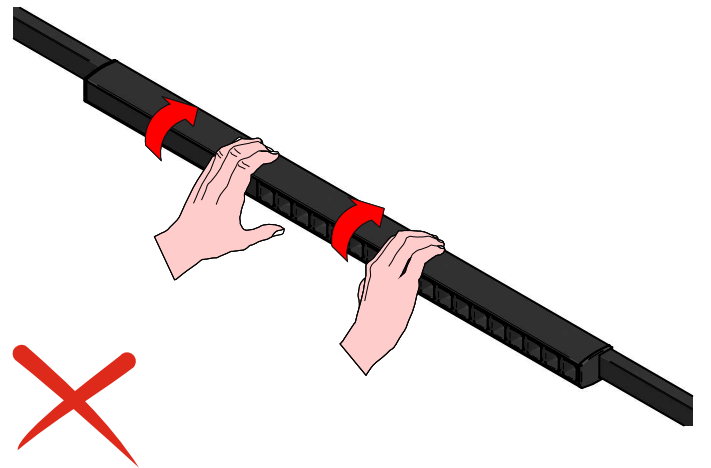
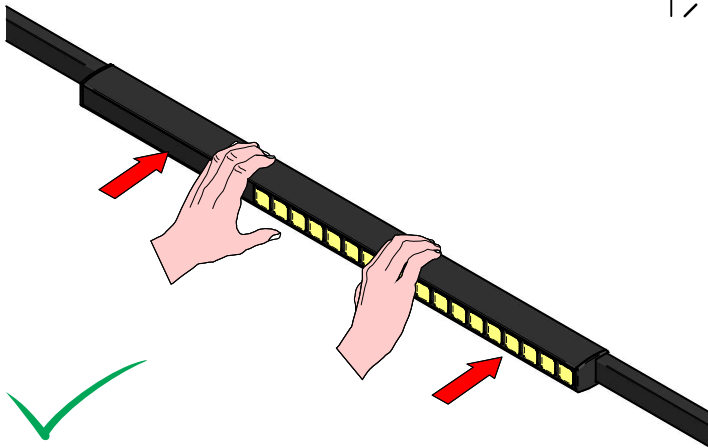
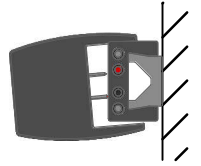
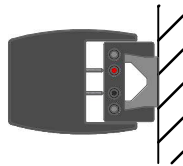




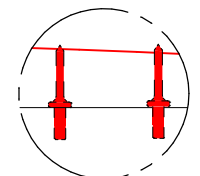
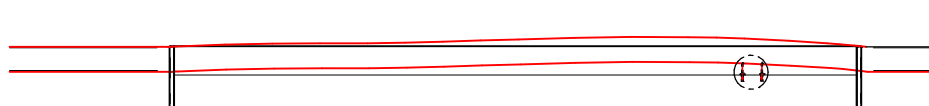
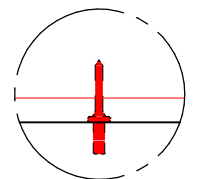
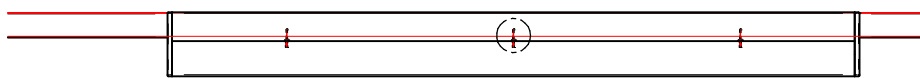
1



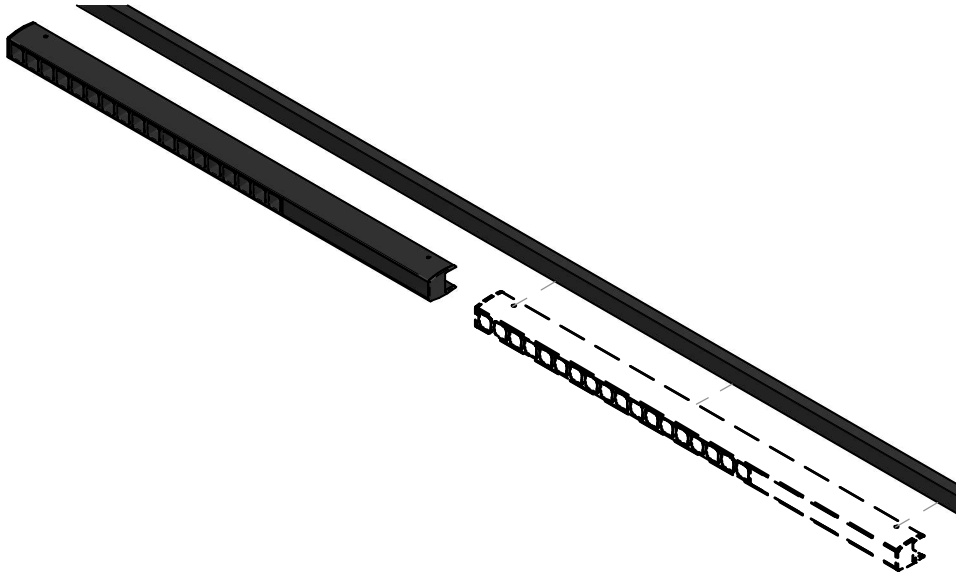
2



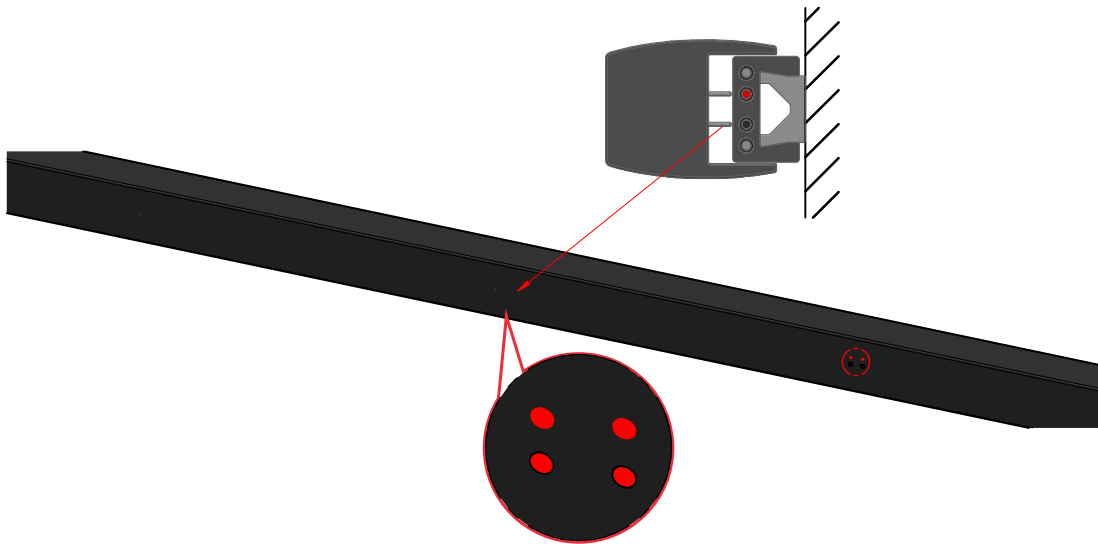
3



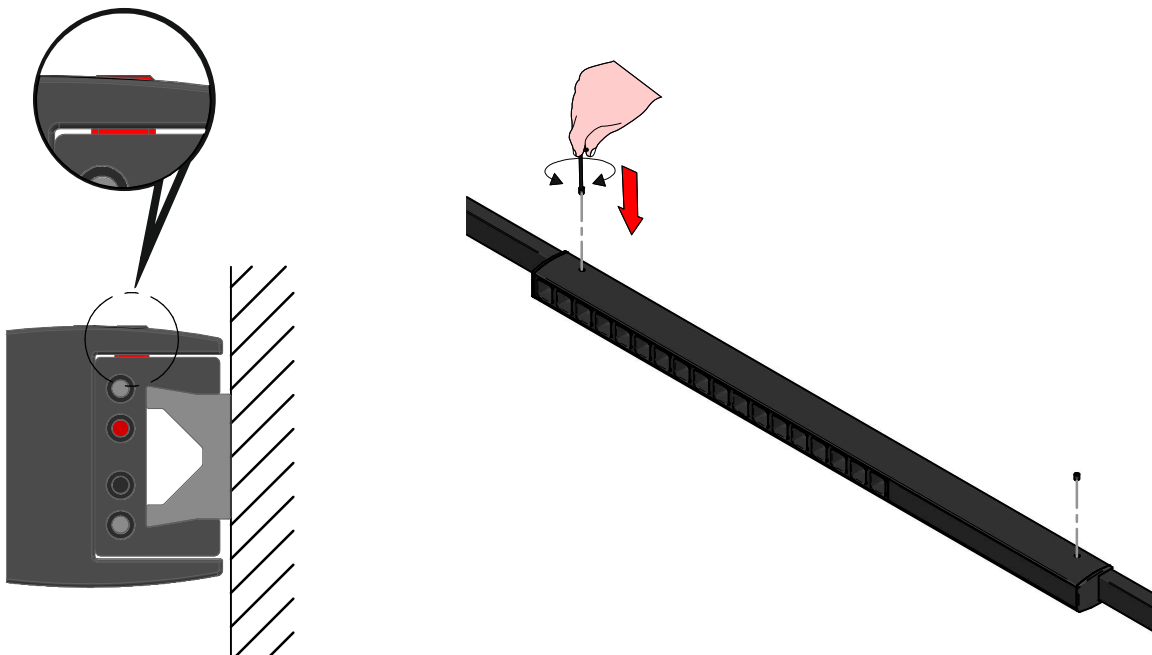
4



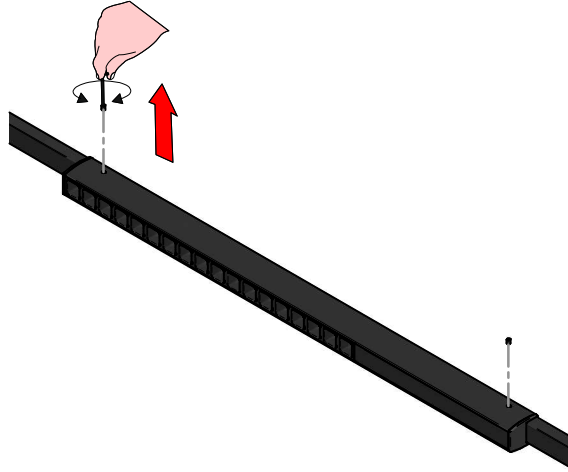
5



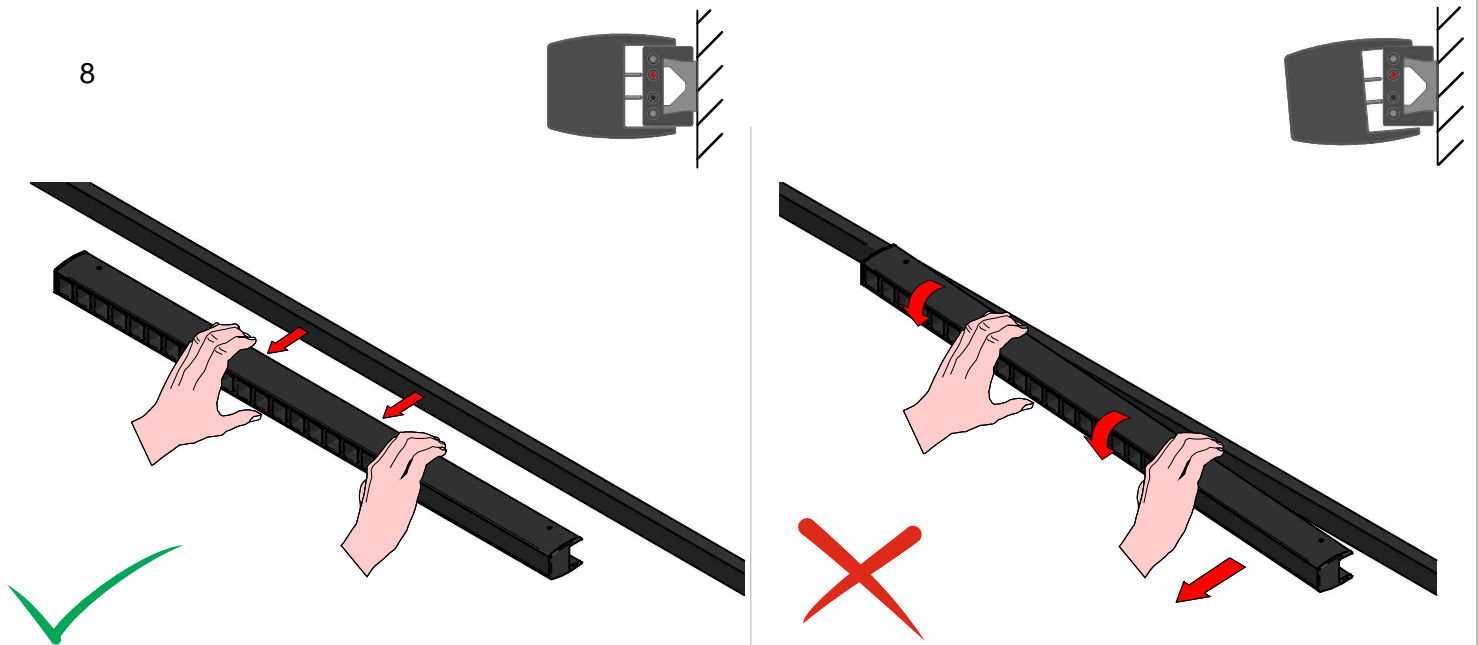
6



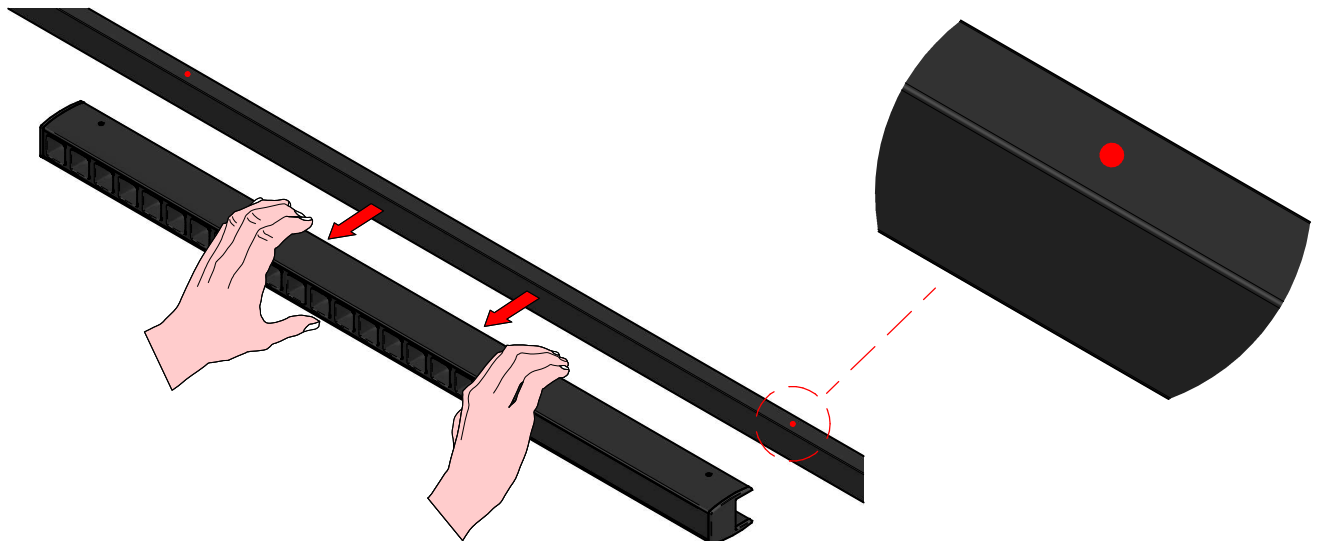
7



8



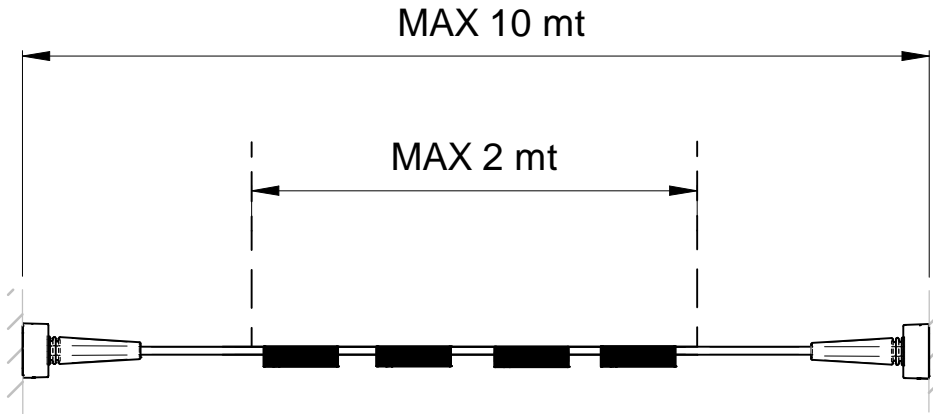
9



A

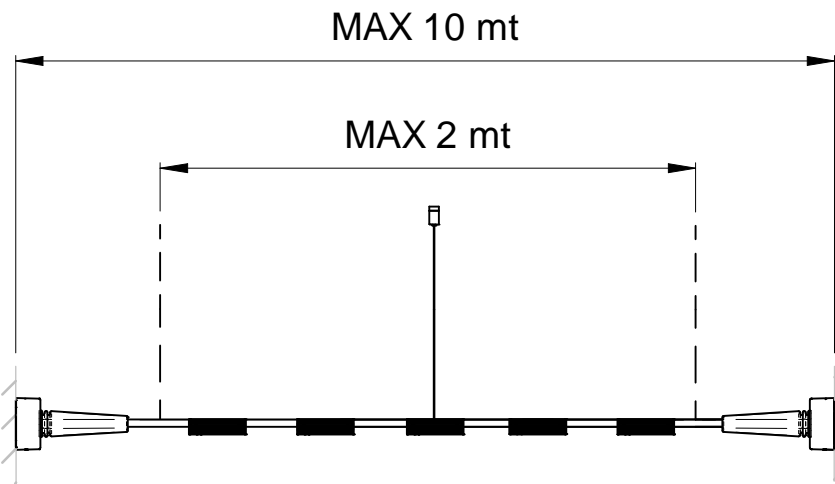
█ ≤ 4

83970W30

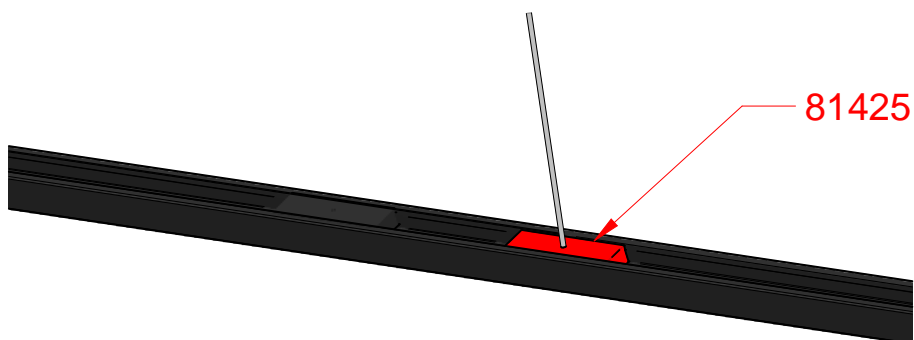


B

█ ≥ 5



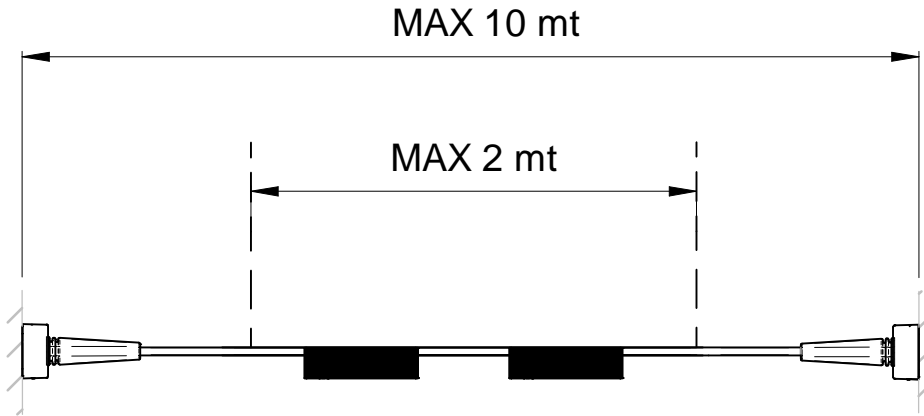
B.1



A

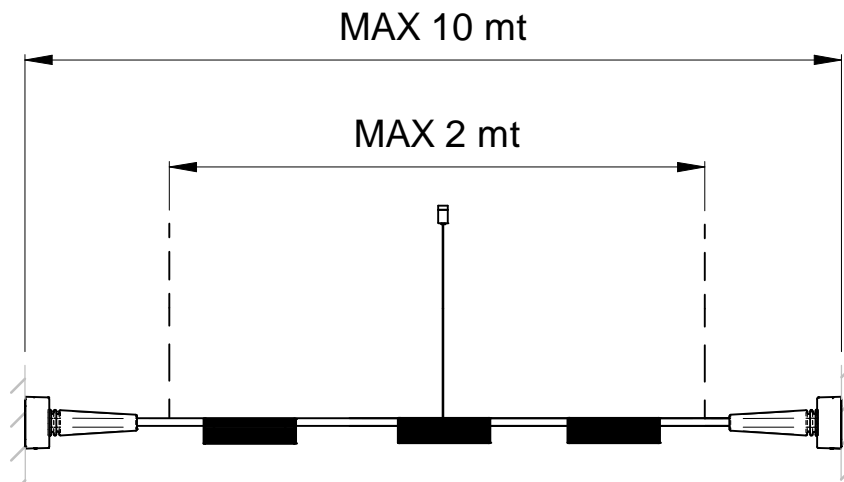
█ ≤ 2

83971W30

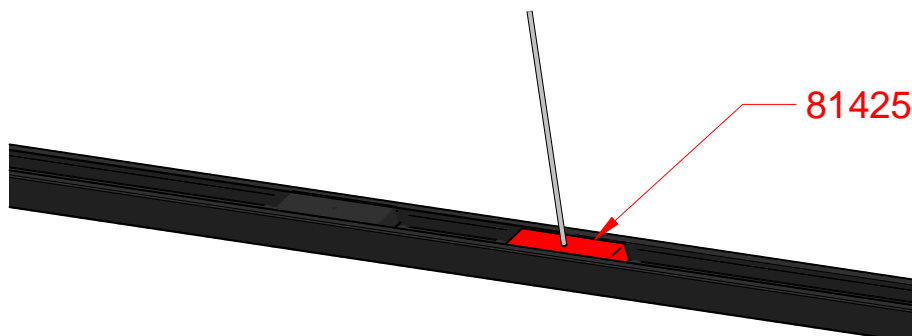


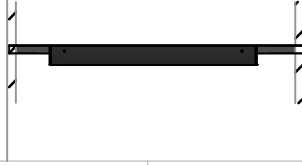
B

█ ≥ 3

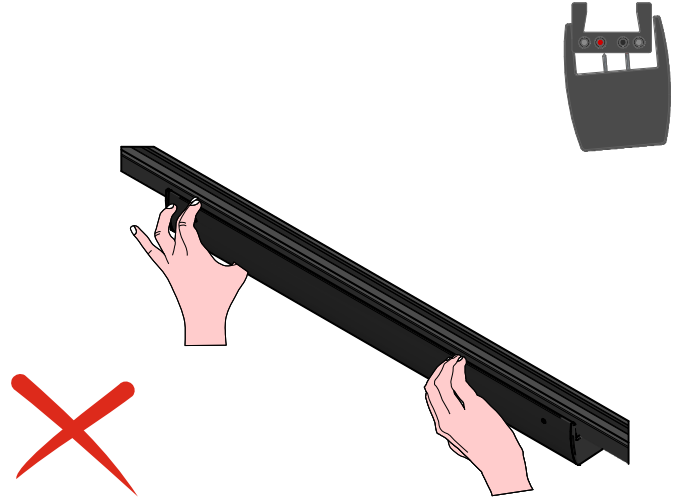
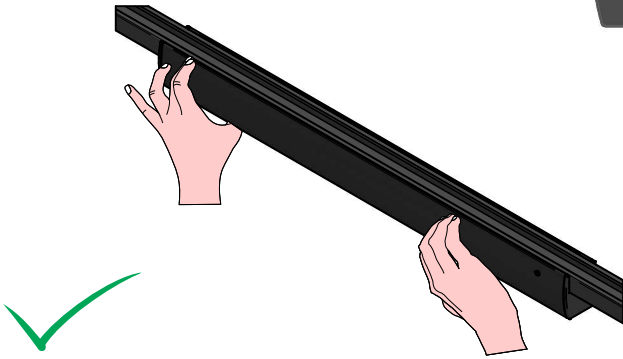


B.1

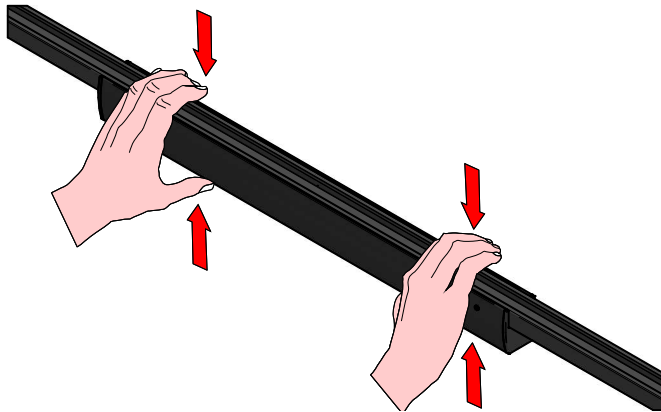




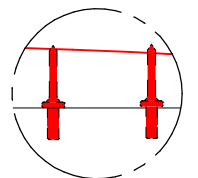
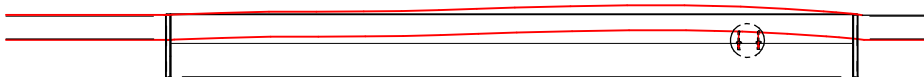
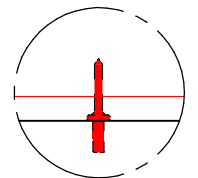
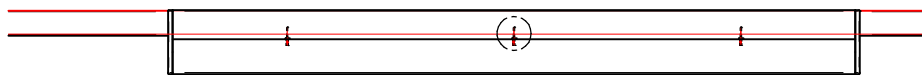
10



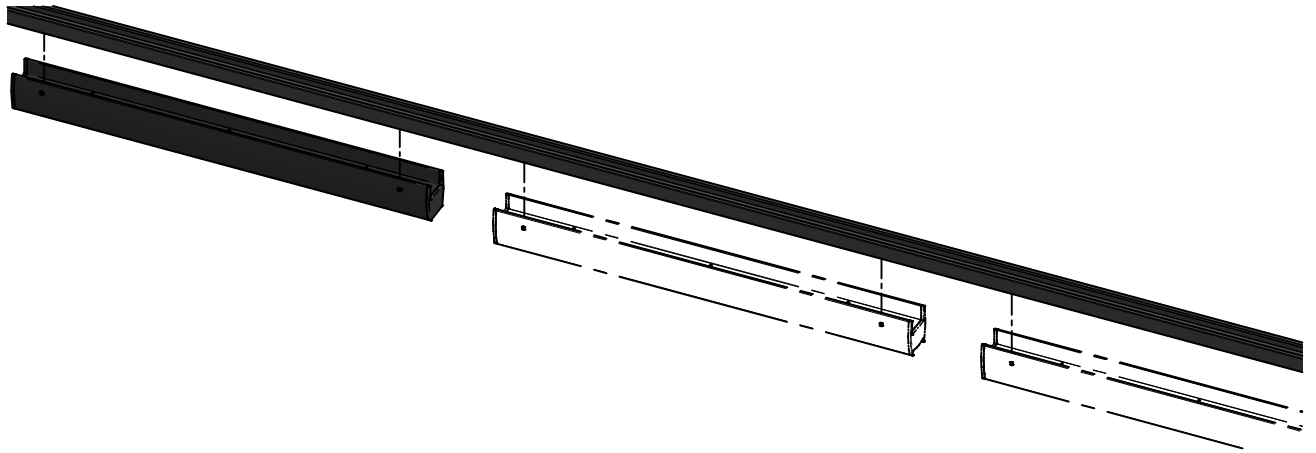
11



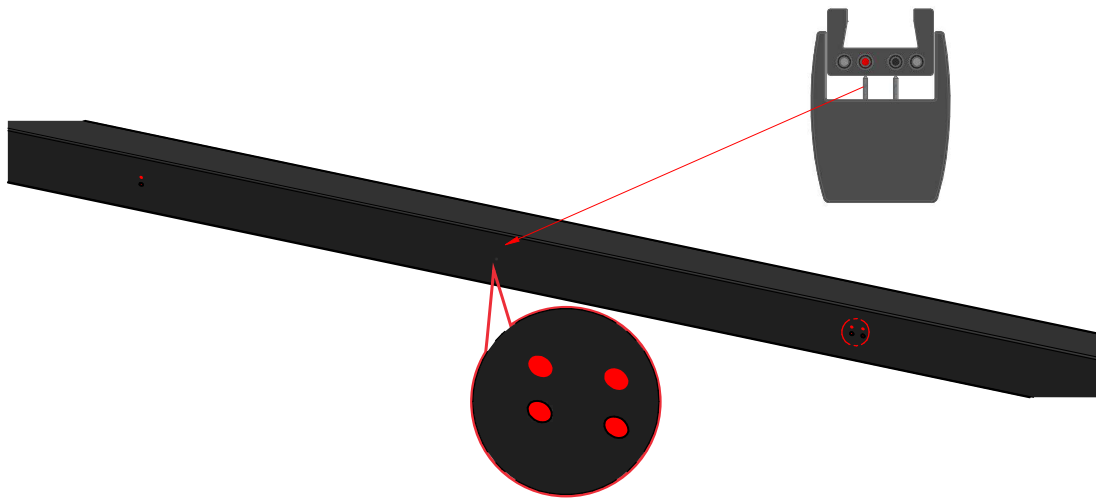
12



13



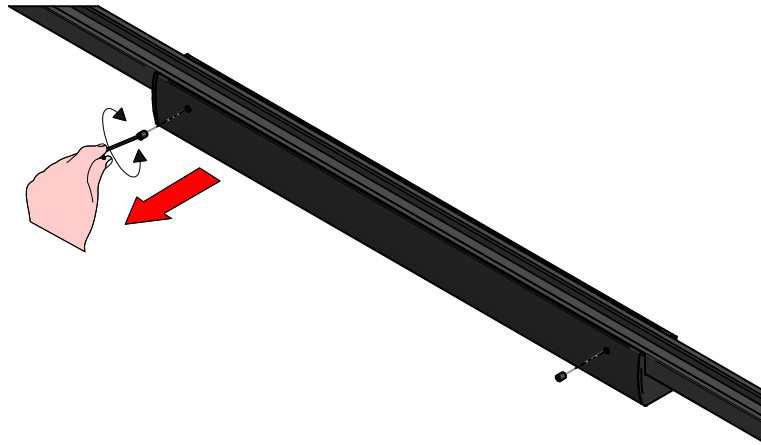
14



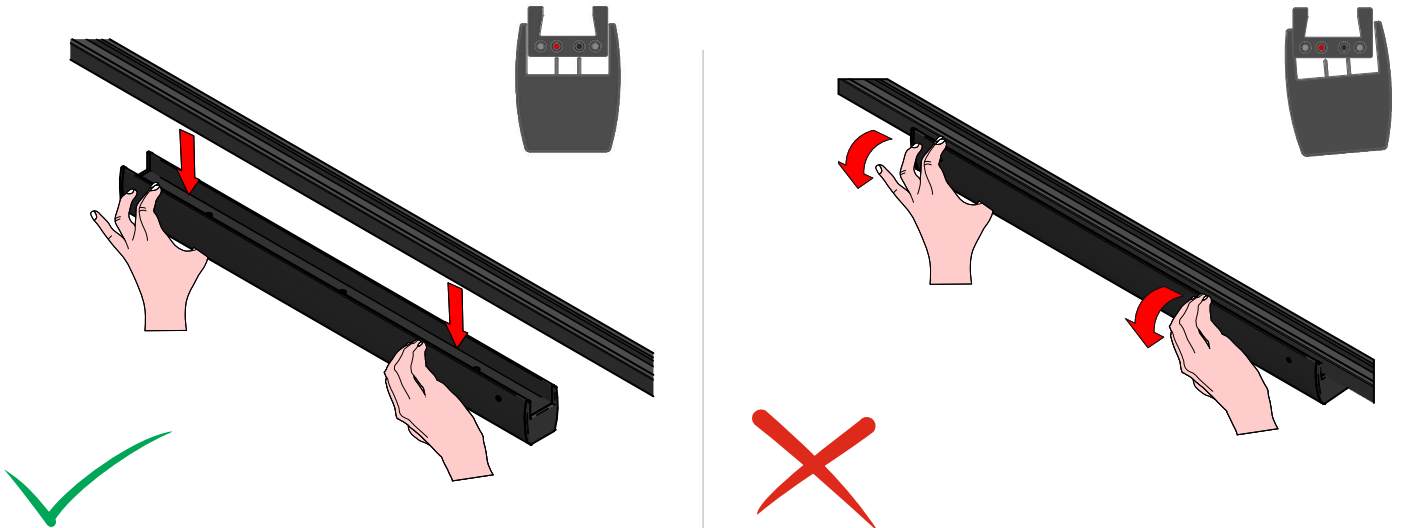
15



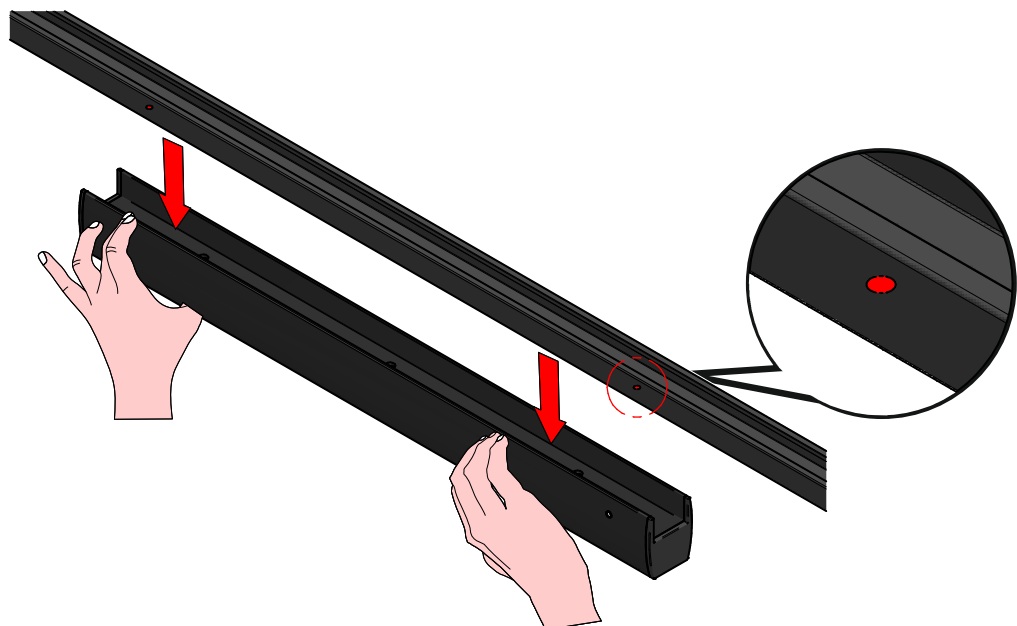
16



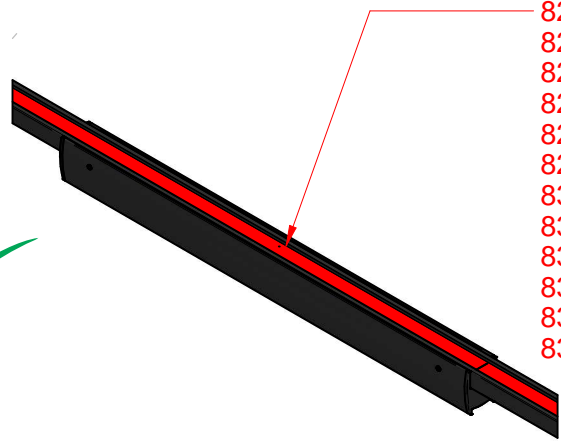
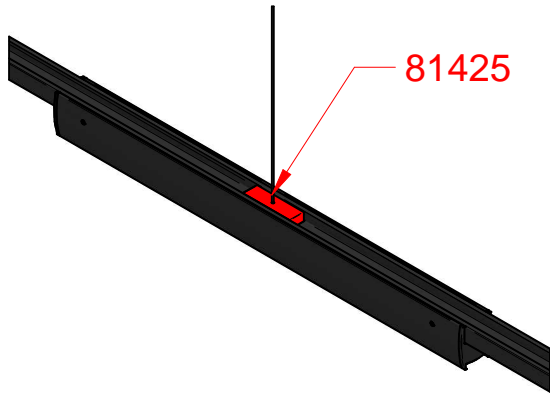
17



18



19



- 82946W00
- 82947W00
- 82948W00
- 82949W00
- 82950W00
- 82951W00
- 83987W00
- 83988W00
- 83989W00
- 83990W00
- 83991W00
- 83992W00

20

