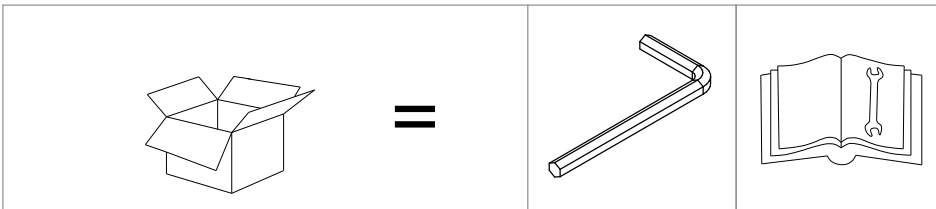
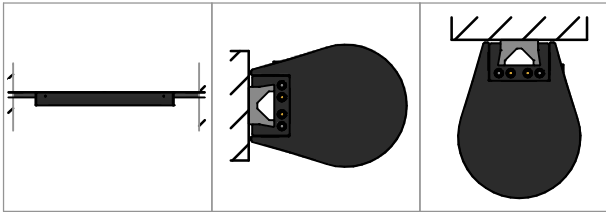
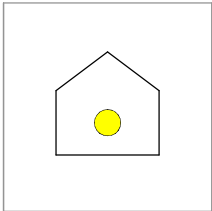
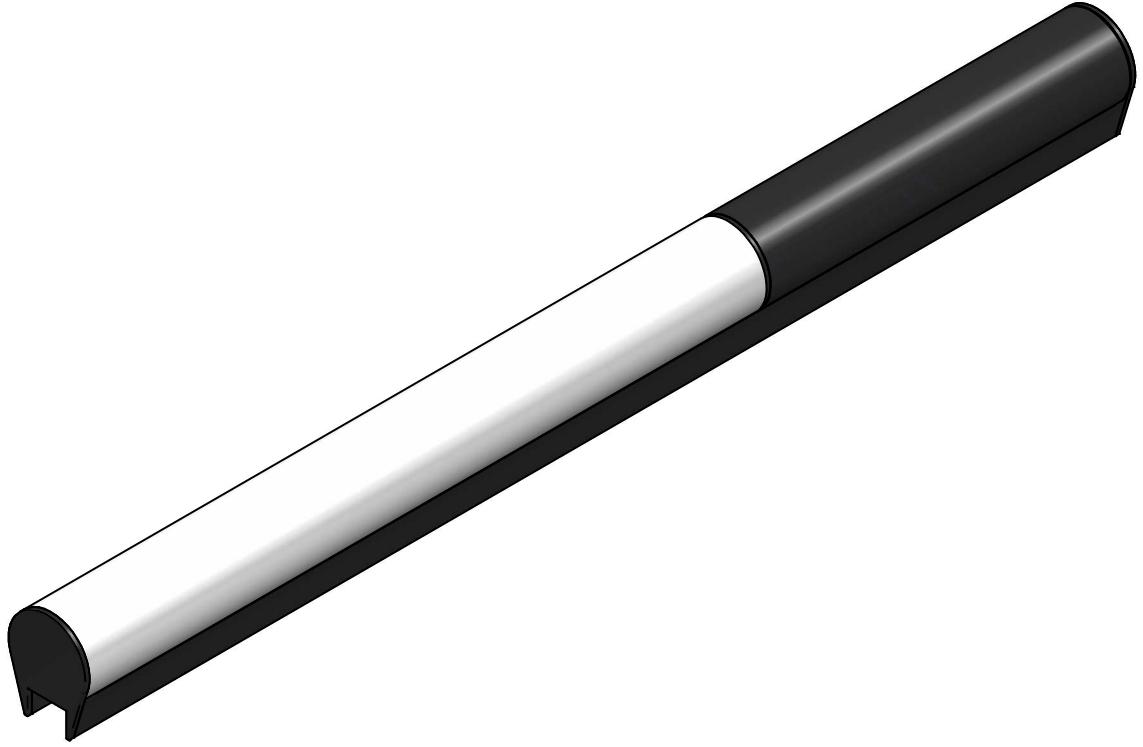


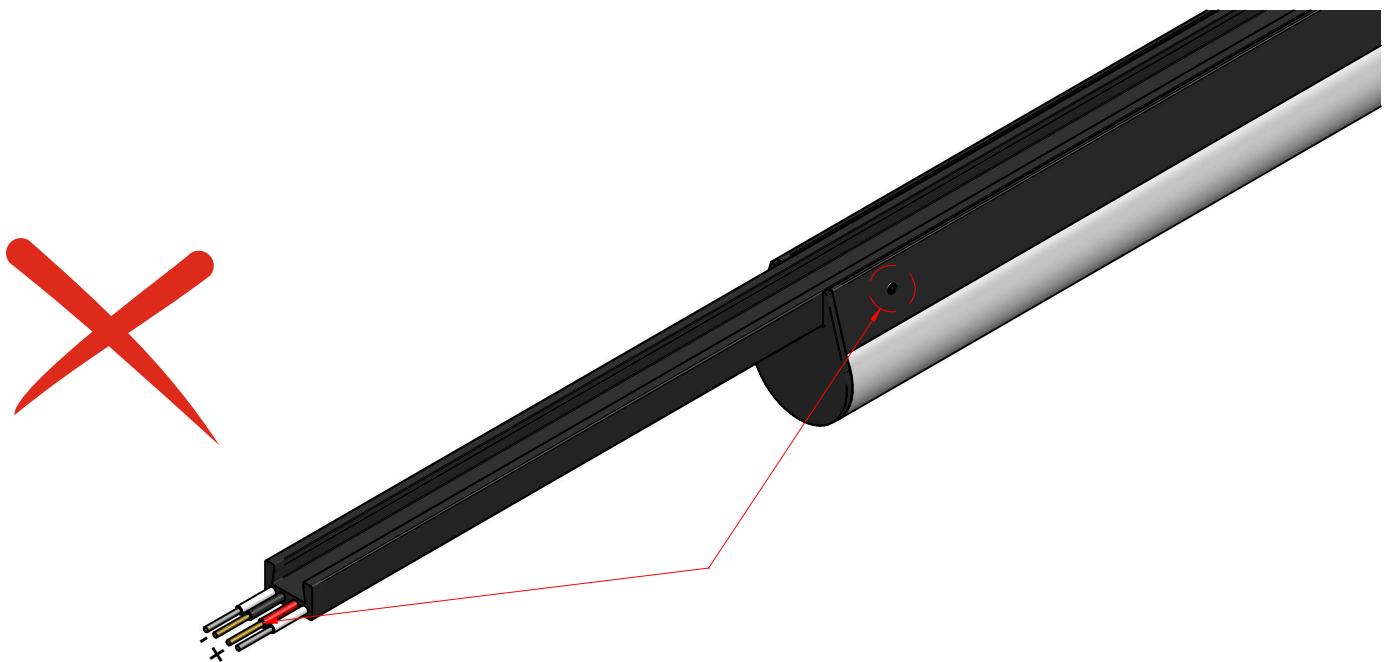
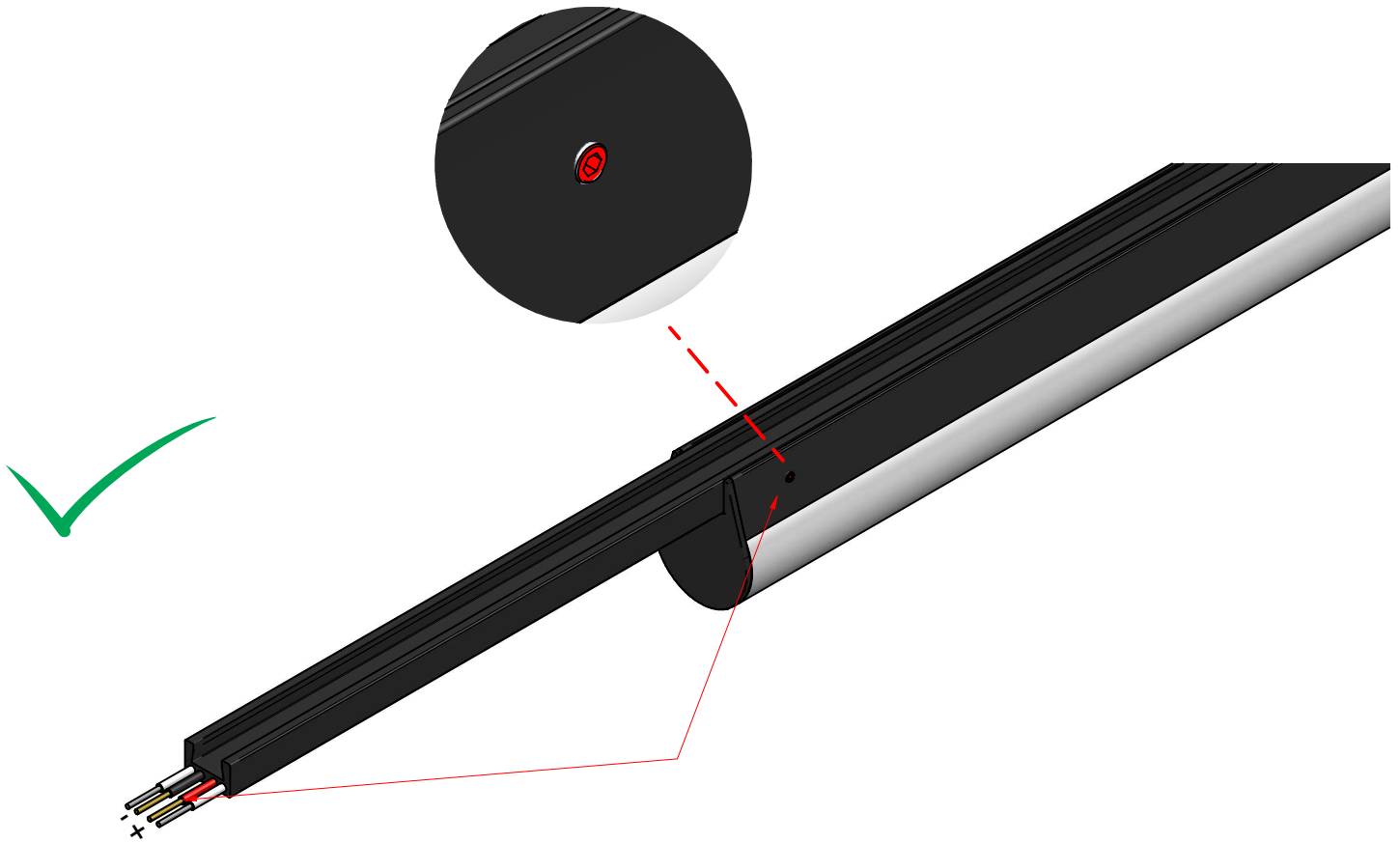
INK  
rev:00

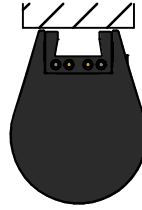
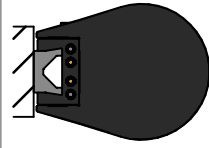


i-LÈD

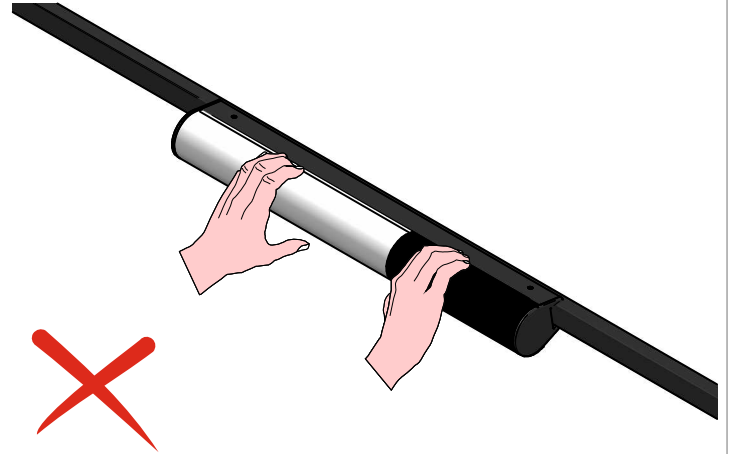
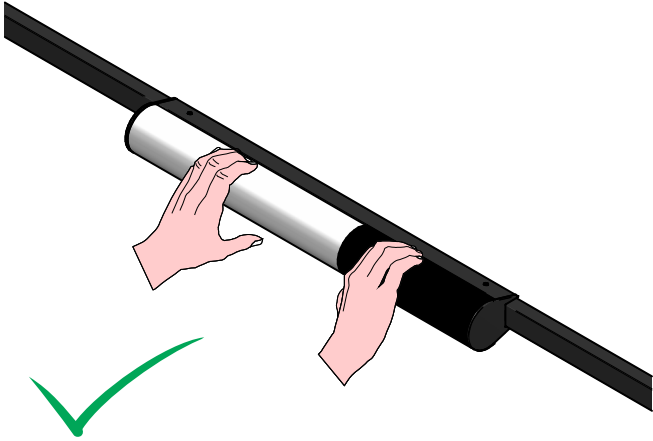
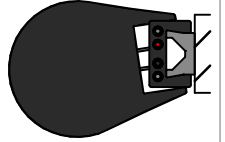
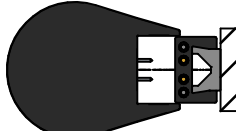
L300	■	L600	■	L900	■
83972W00		83973W00		83974W00	



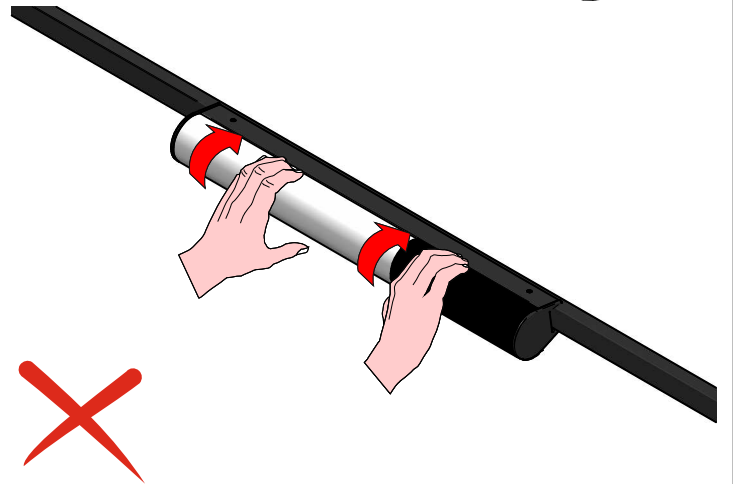
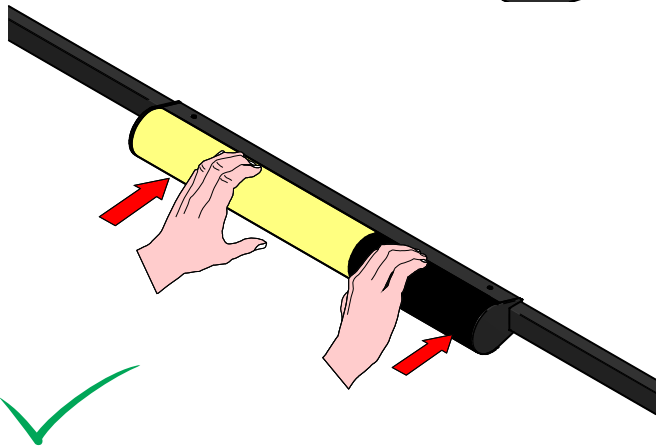
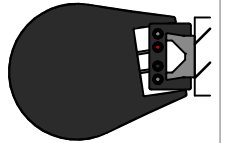
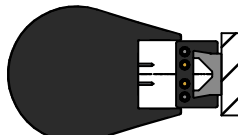




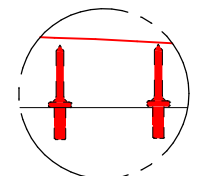
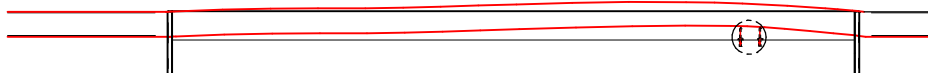
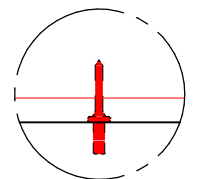
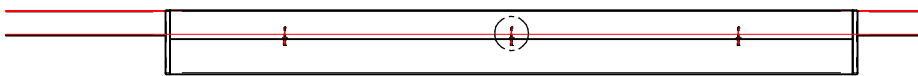
1



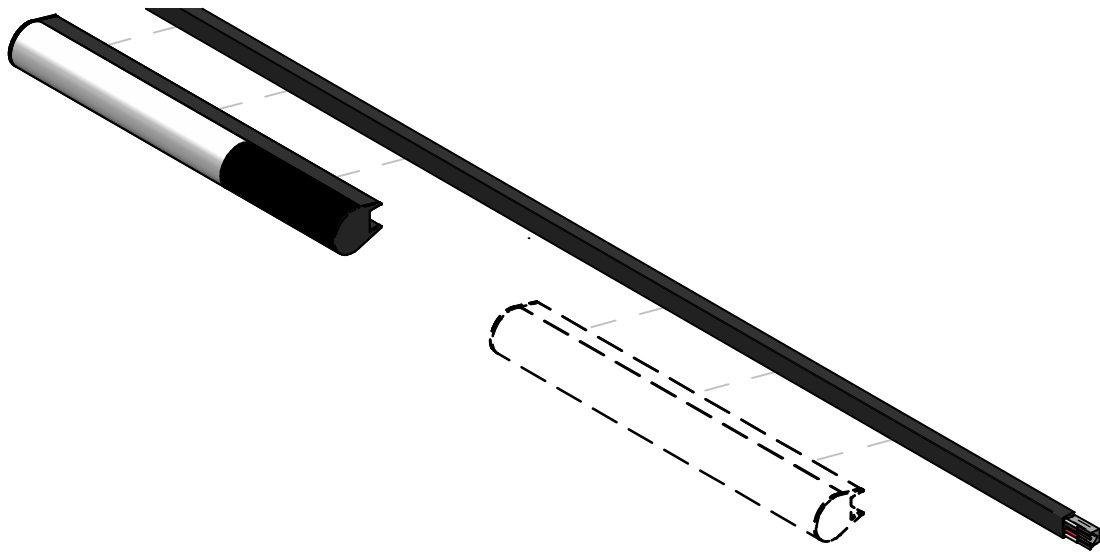
2



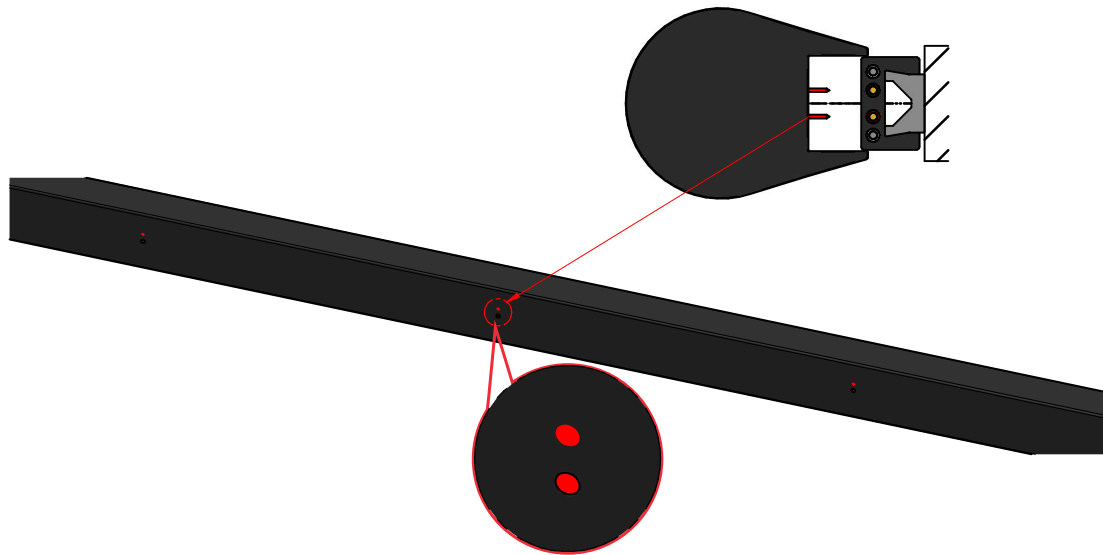
3



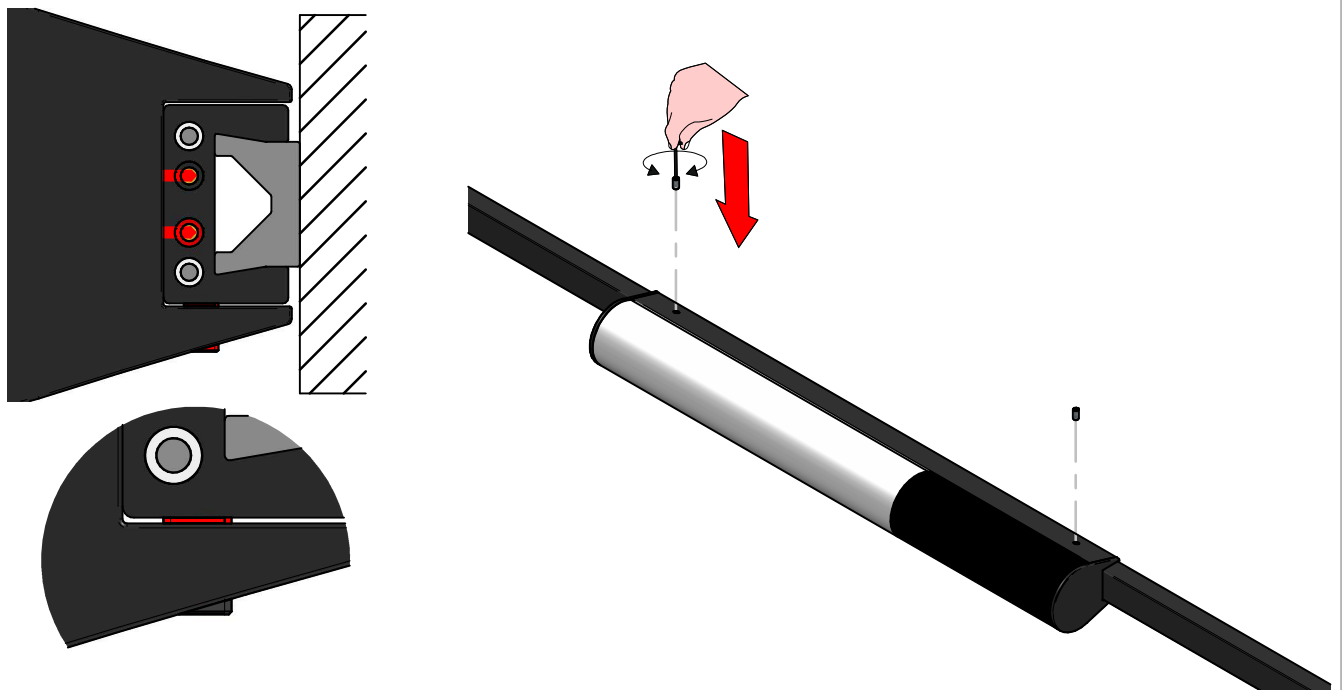
4



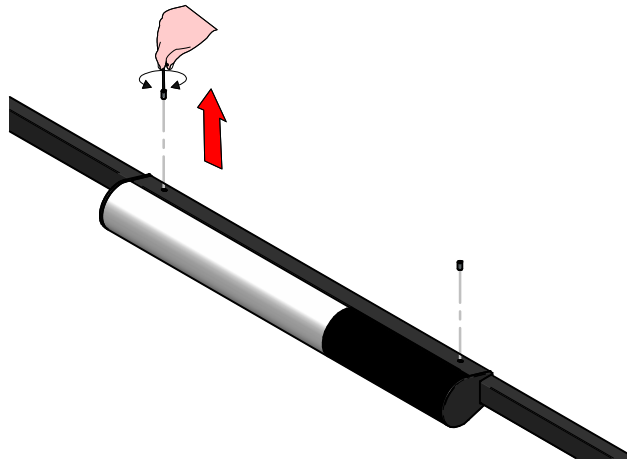
5



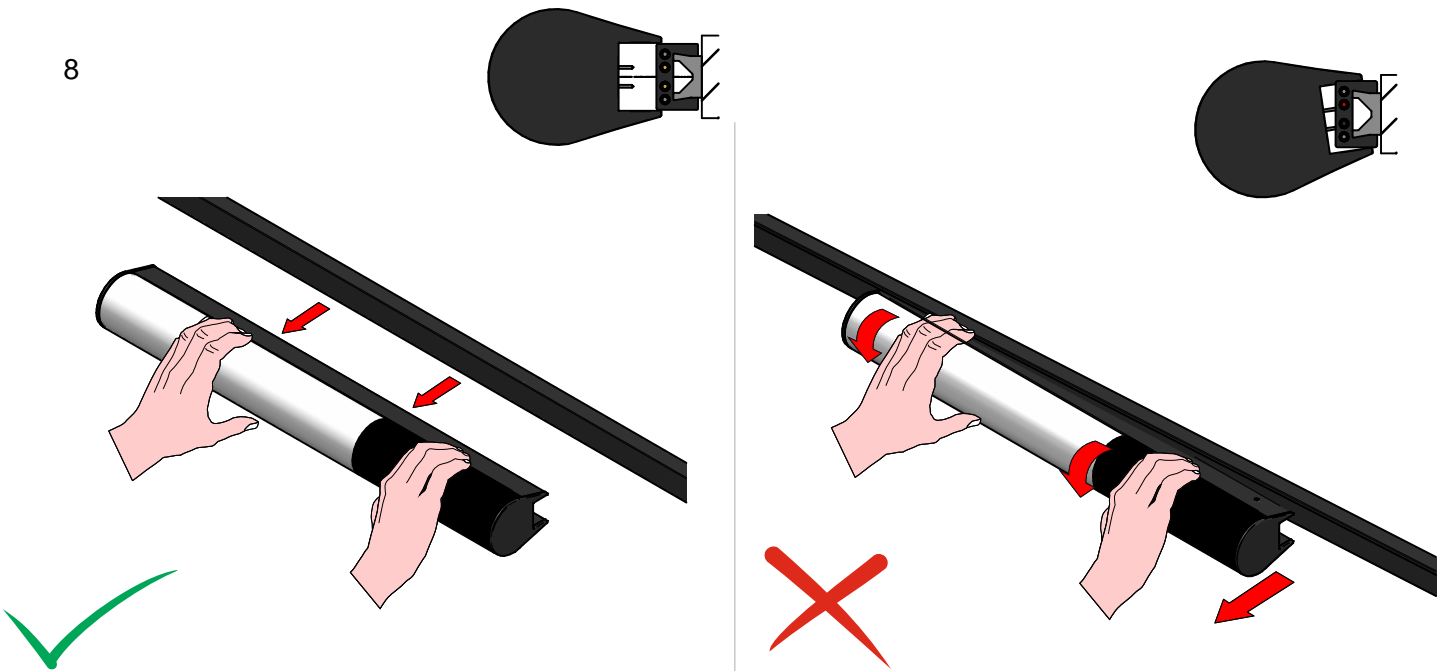
6



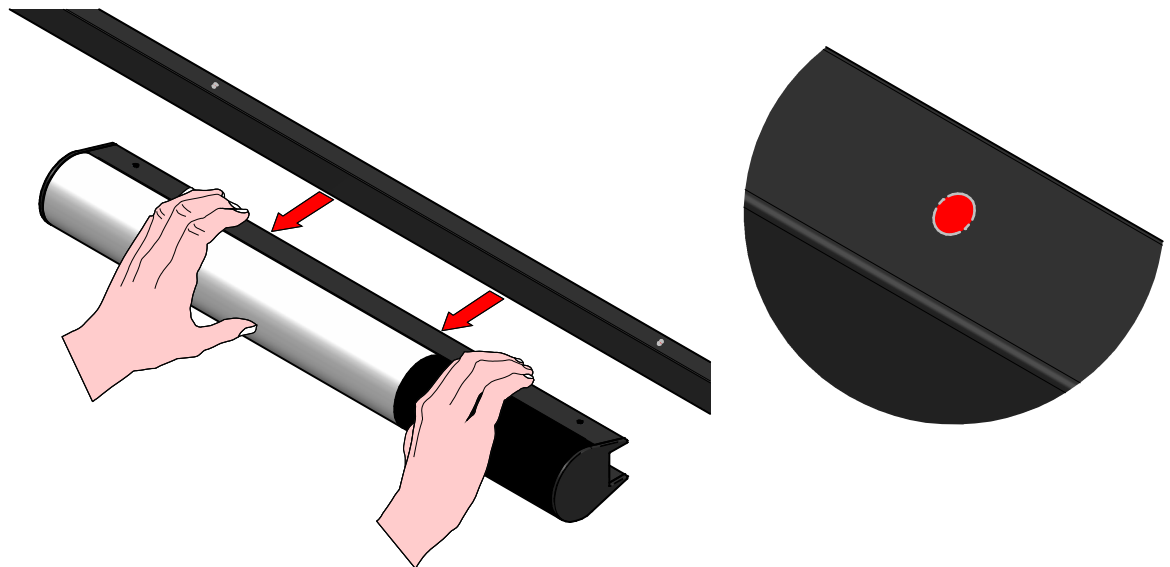
7



8



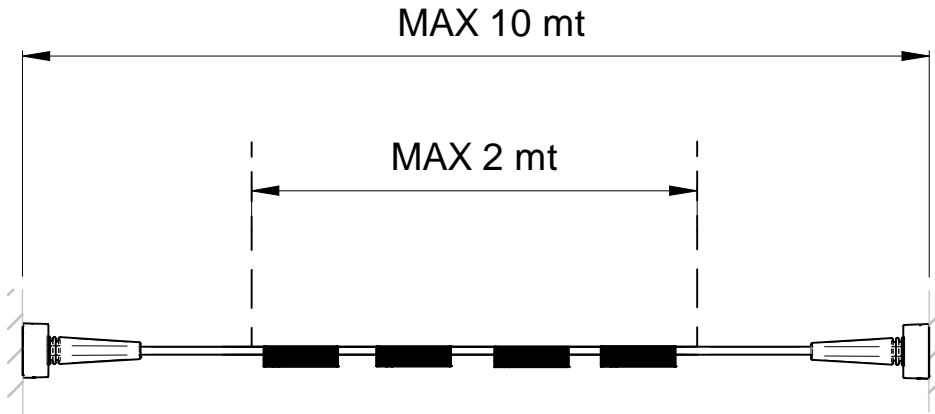
9



A

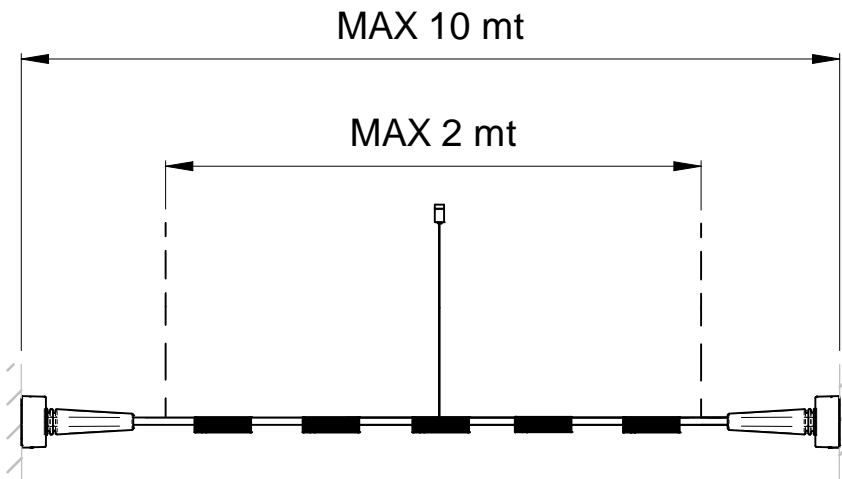
█ ≤ 4

83972W00

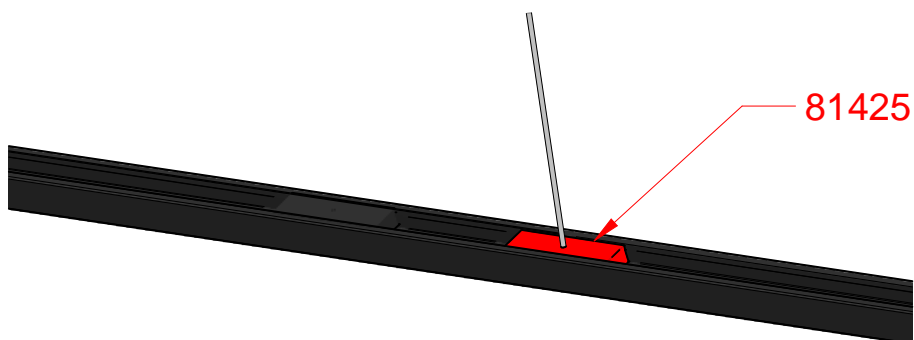


B

█ ≥ 5



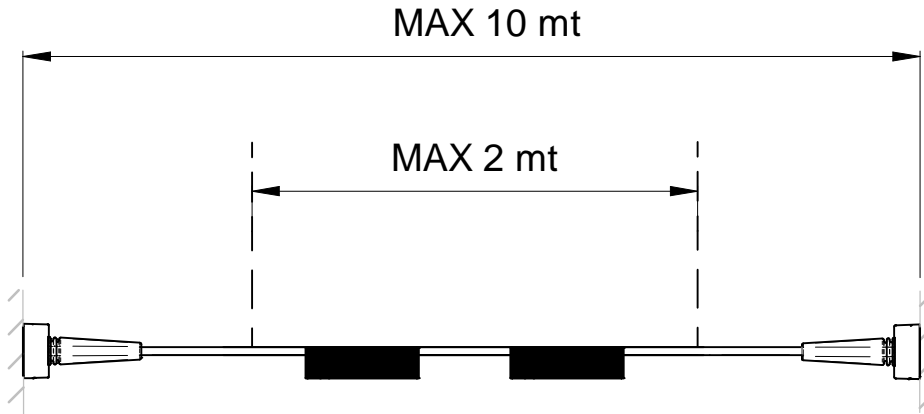
B.1



A

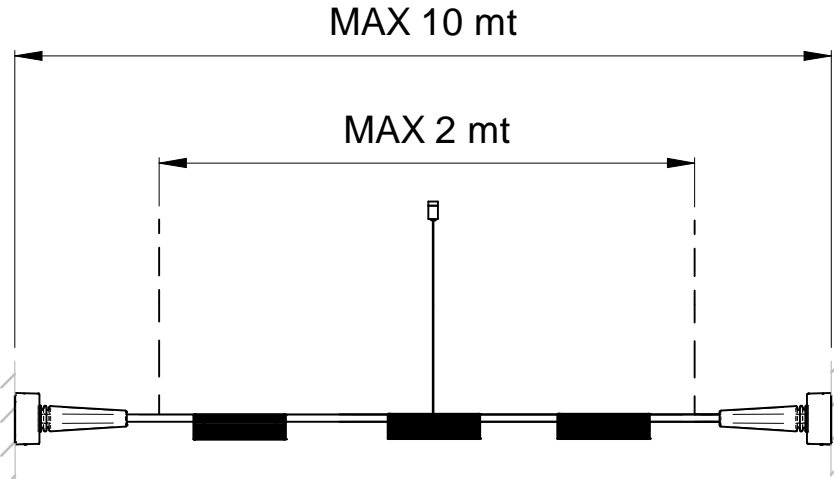
█ ≤ 2

83973W00

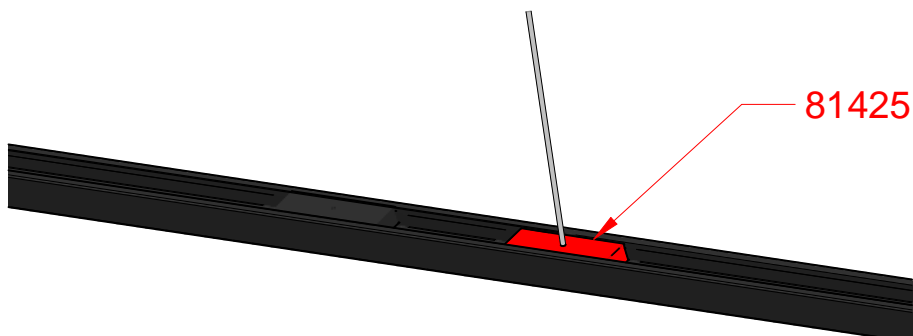


B

█ ≥ 3



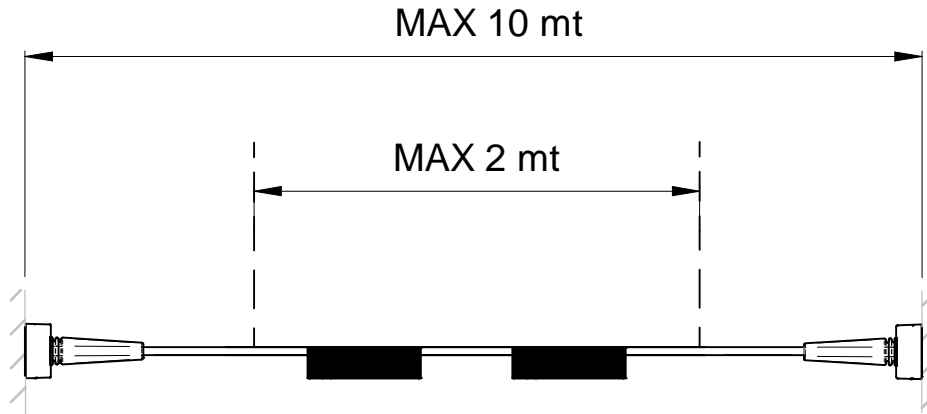
B.1



A

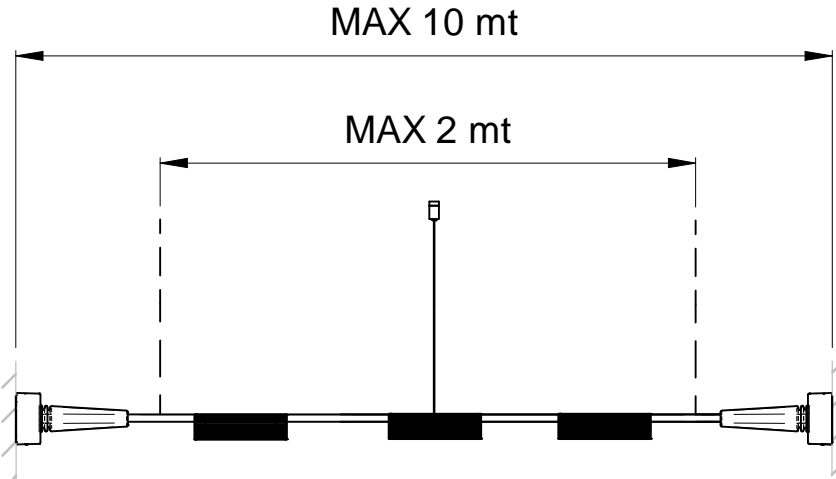
■ ≤ 2

83974W00

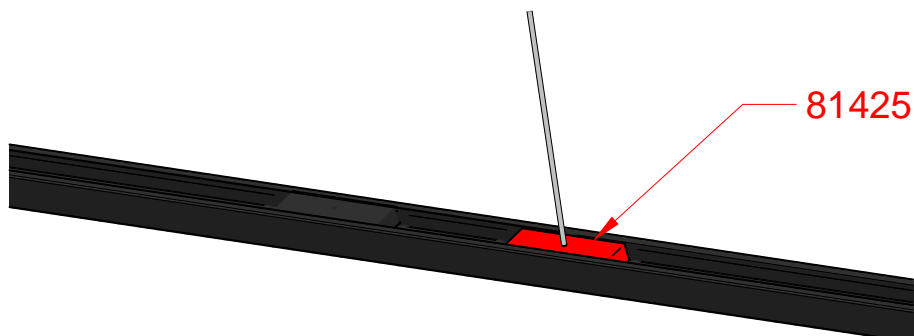


B

■ ≥ 3



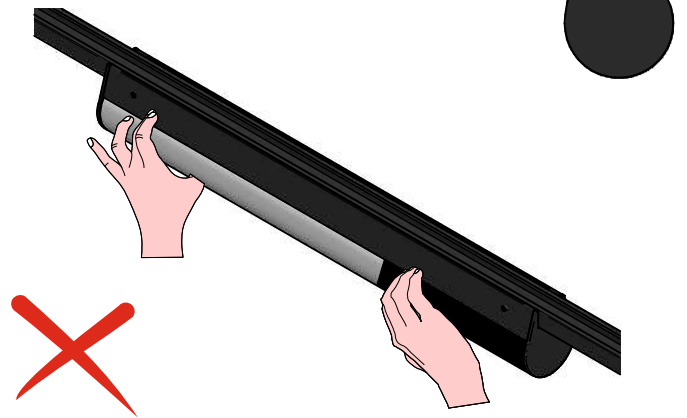
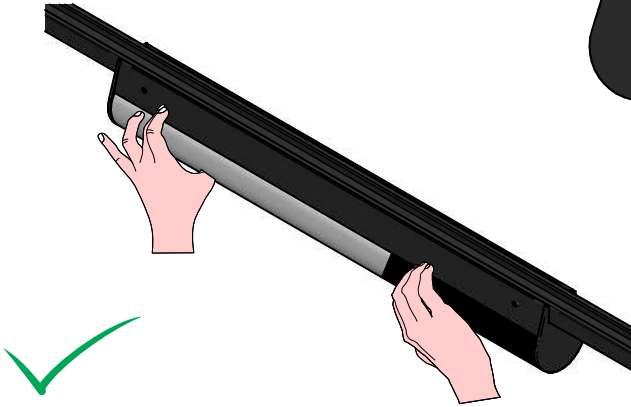
B.1



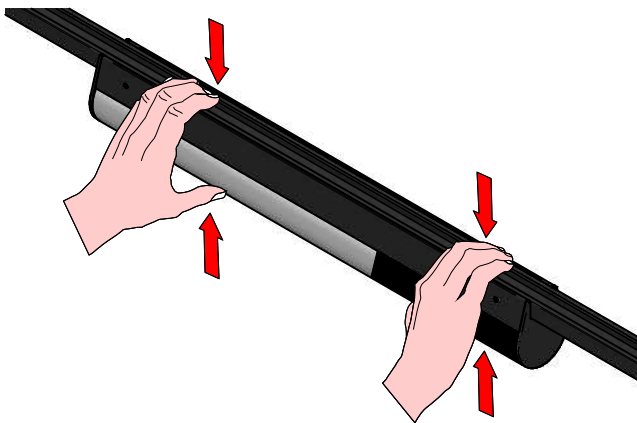




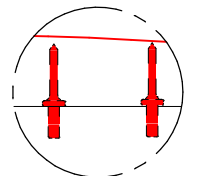
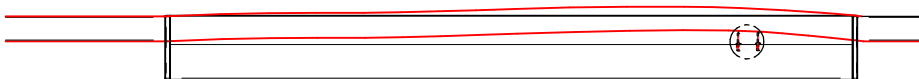
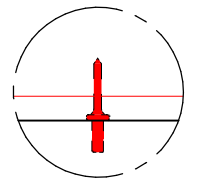
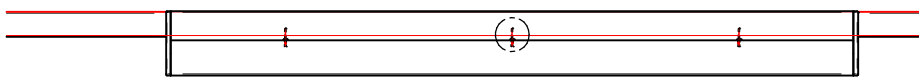
10



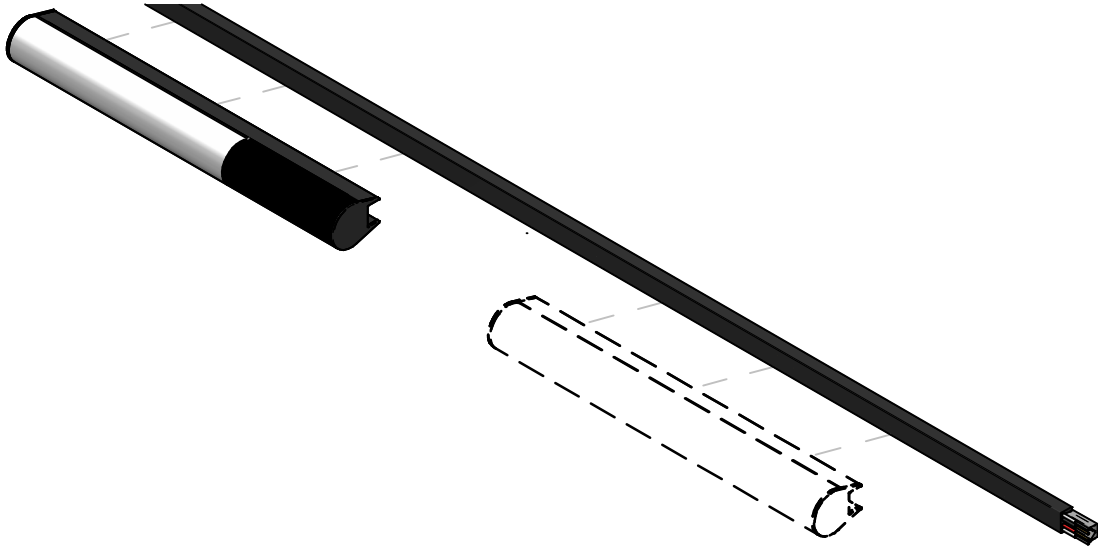
11



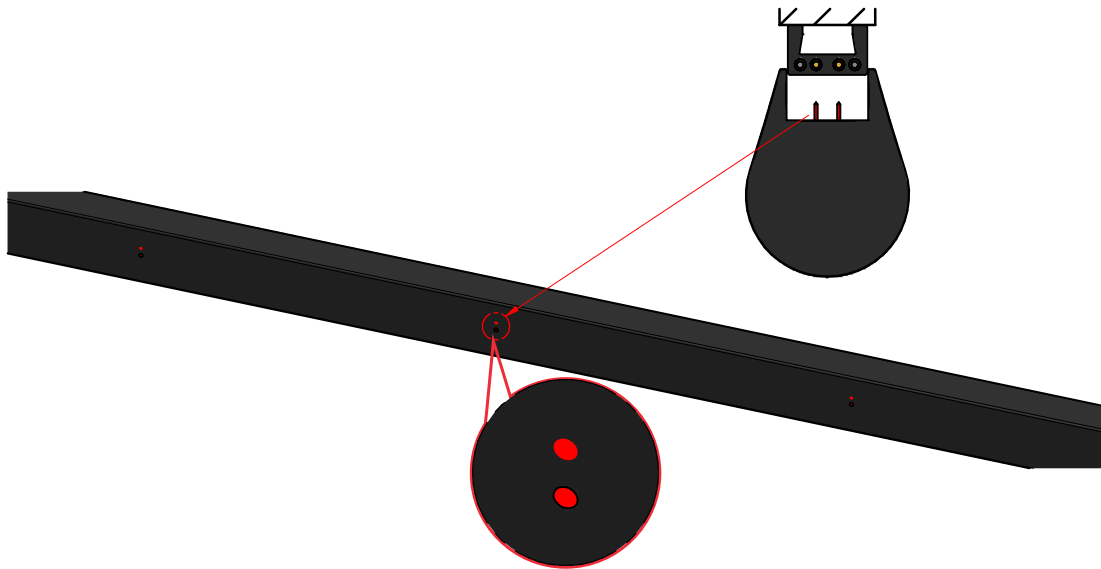
12



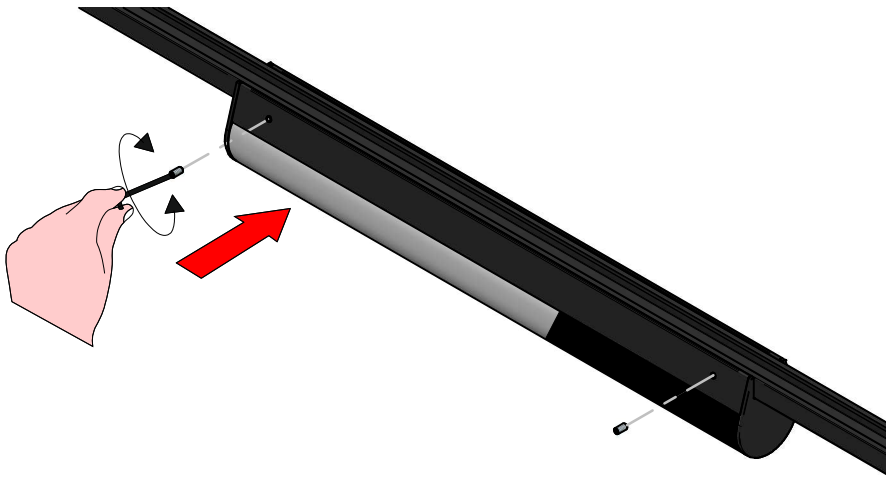
13



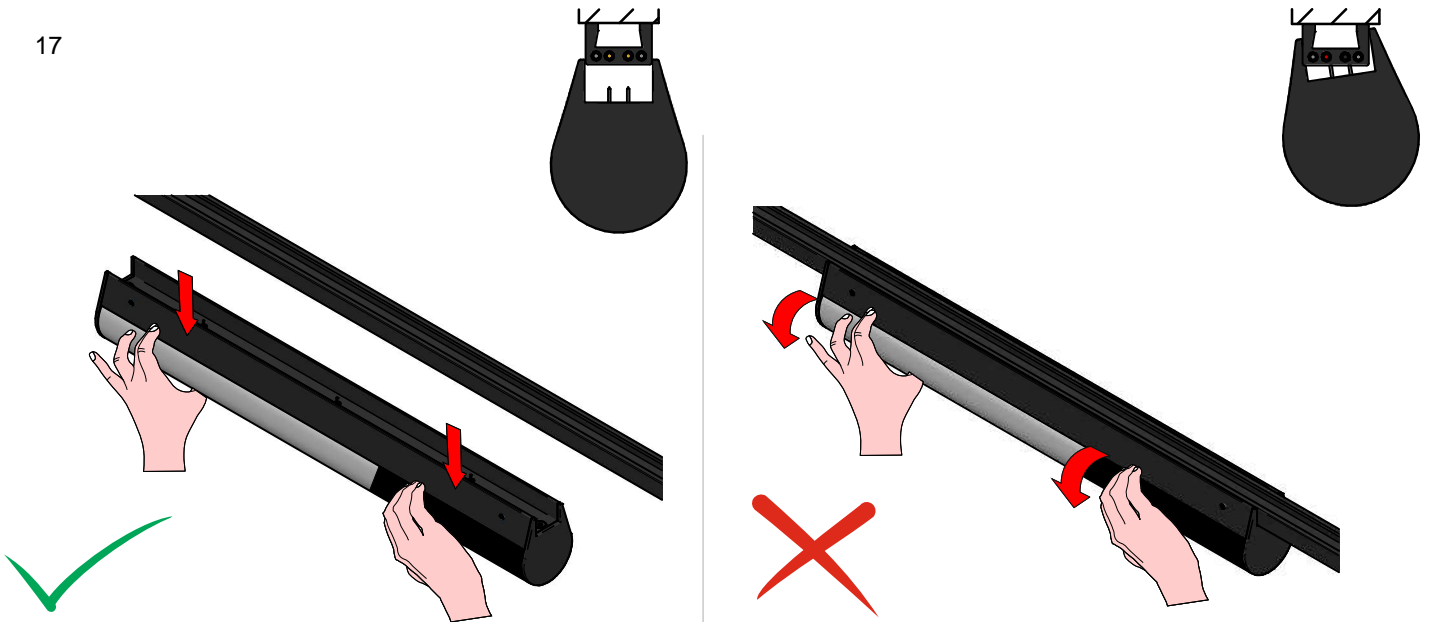
14



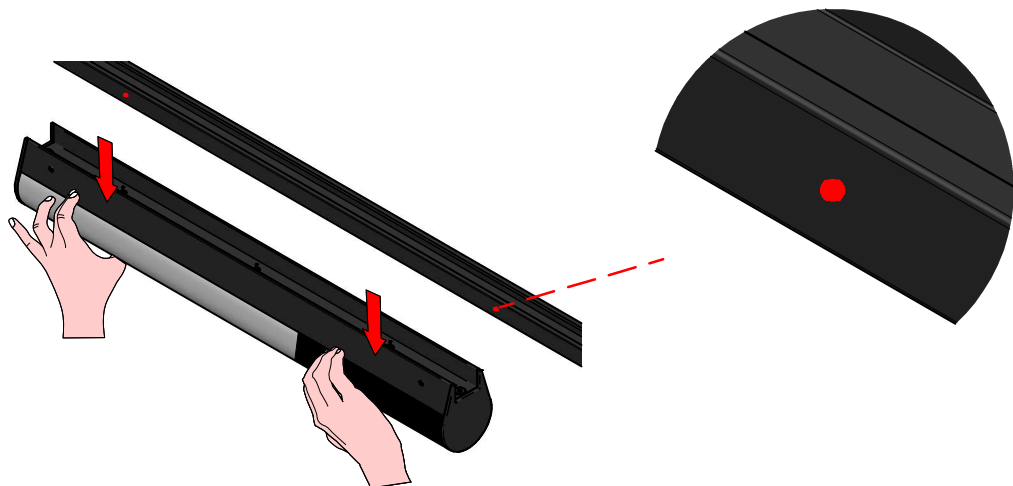
16



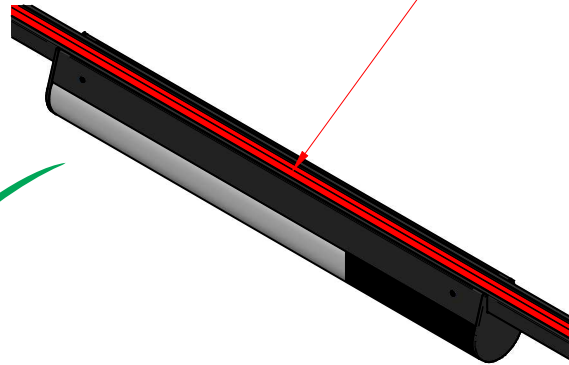
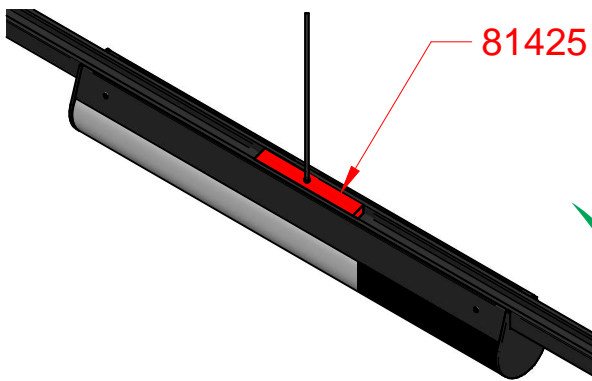
17



18



19



82946W00  
82947W00  
82948W00  
82949W00  
82950W00  
82951W00  
83987W00  
83988W00  
83989W00  
83990W00  
83991W00  
83992W00

20

