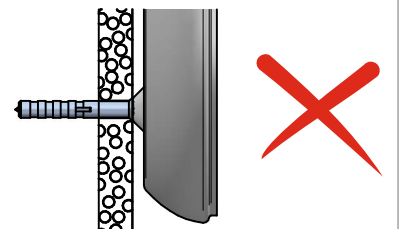
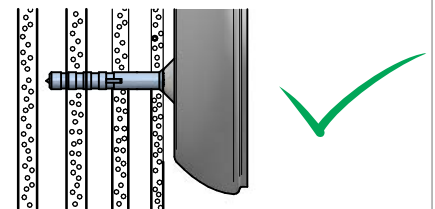
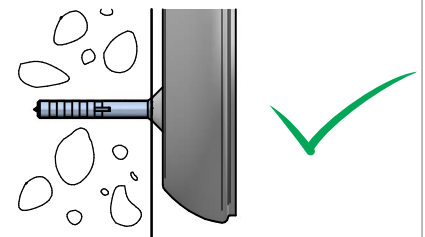
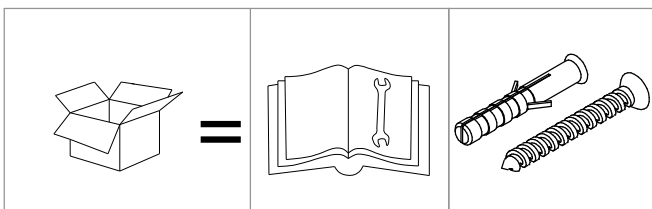
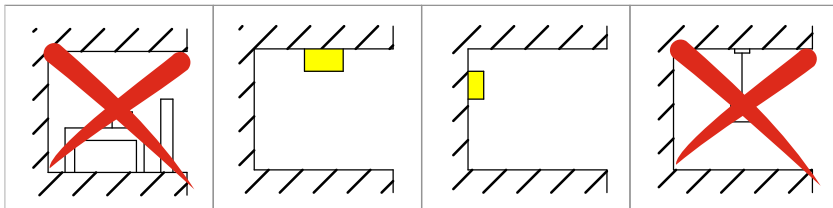
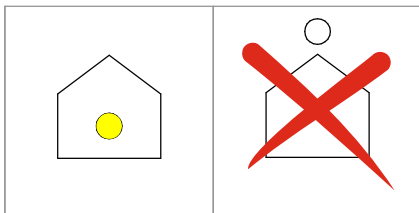
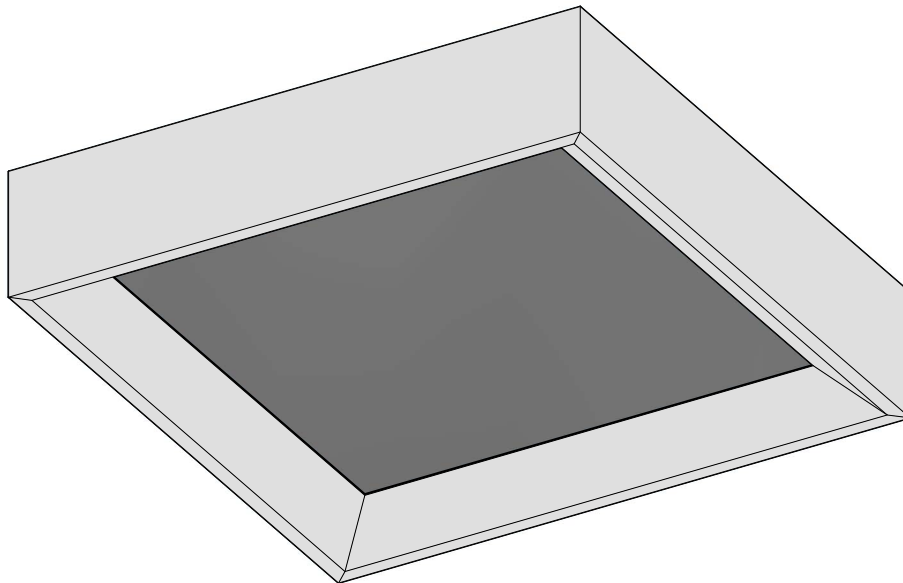
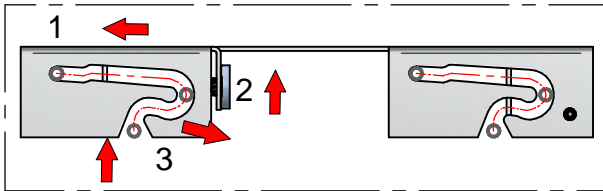
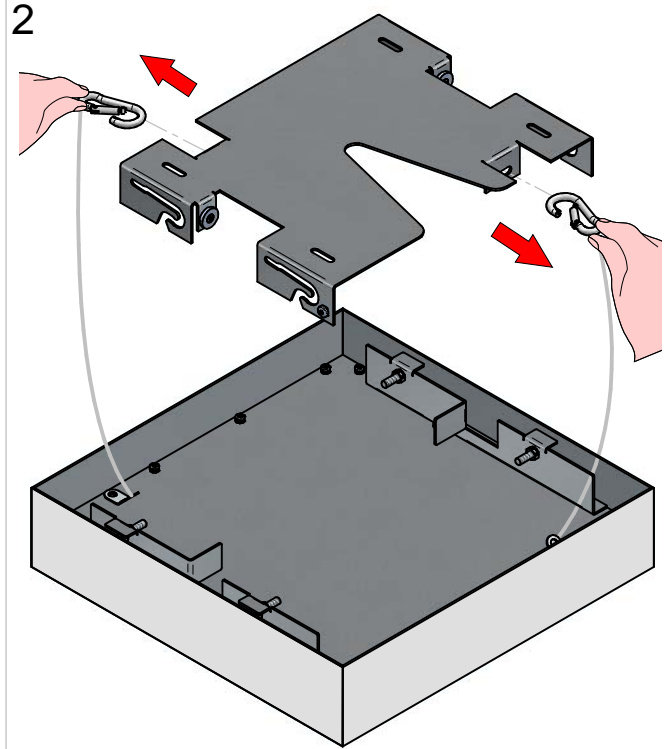
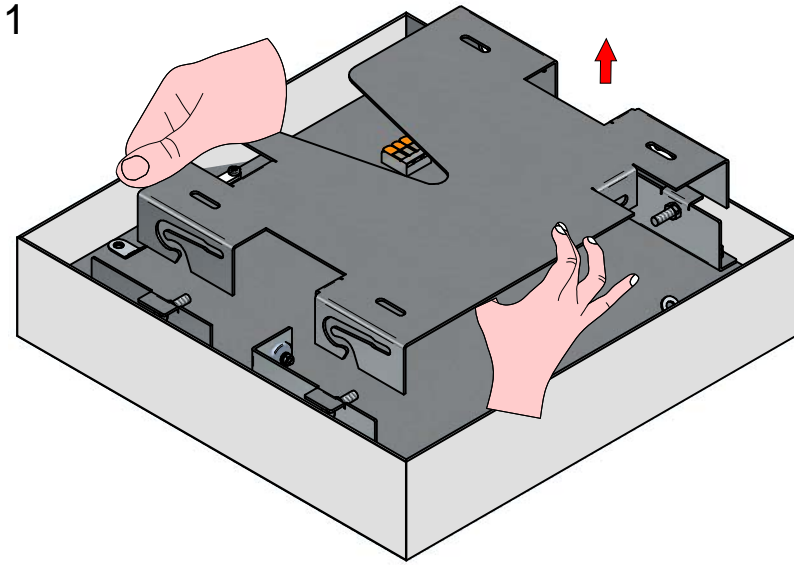


300x300		
ON/OFF 3000K	PHASE CUT 3000K	PHASE CUT 2700K
<input type="checkbox"/> 8325	<input type="checkbox"/> 8550	<input type="checkbox"/> CA001DWHMDI
<input checked="" type="checkbox"/> 8326	<input checked="" type="checkbox"/> 8551	<input checked="" type="checkbox"/> CA001DBBMDI

400x400			500x500		
ON/OFF 3000K	PHASE CUT 3000K	PHASE CUT 2700K	ON/OFF 3000K	PHASE CUT 3000K	PHASE CUT 2700K
<input type="checkbox"/> 8328	<input type="checkbox"/> 8553	<input type="checkbox"/> CA002DWHMDI	<input type="checkbox"/> 8331	<input type="checkbox"/> 8556	<input type="checkbox"/> CA003DWHMDI
<input checked="" type="checkbox"/> 8329	<input checked="" type="checkbox"/> 8554	<input checked="" type="checkbox"/> CA002DBBMDI	<input checked="" type="checkbox"/> 8332	<input checked="" type="checkbox"/> 8557	<input checked="" type="checkbox"/> CA003DBBMDI

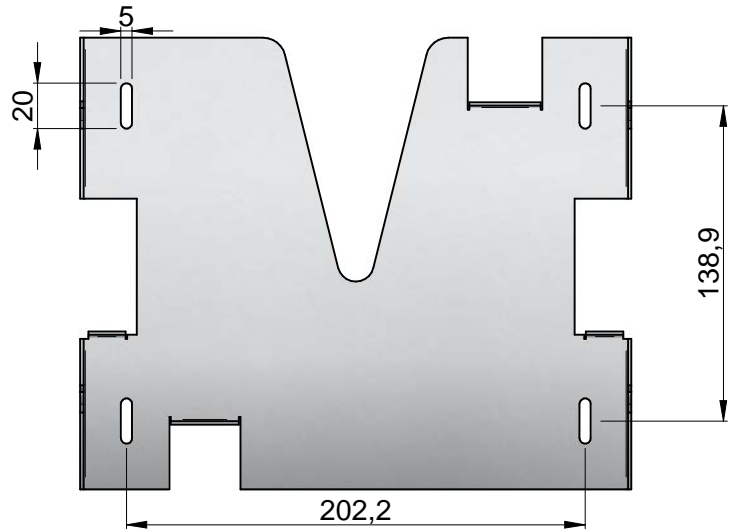




3.1

300x300

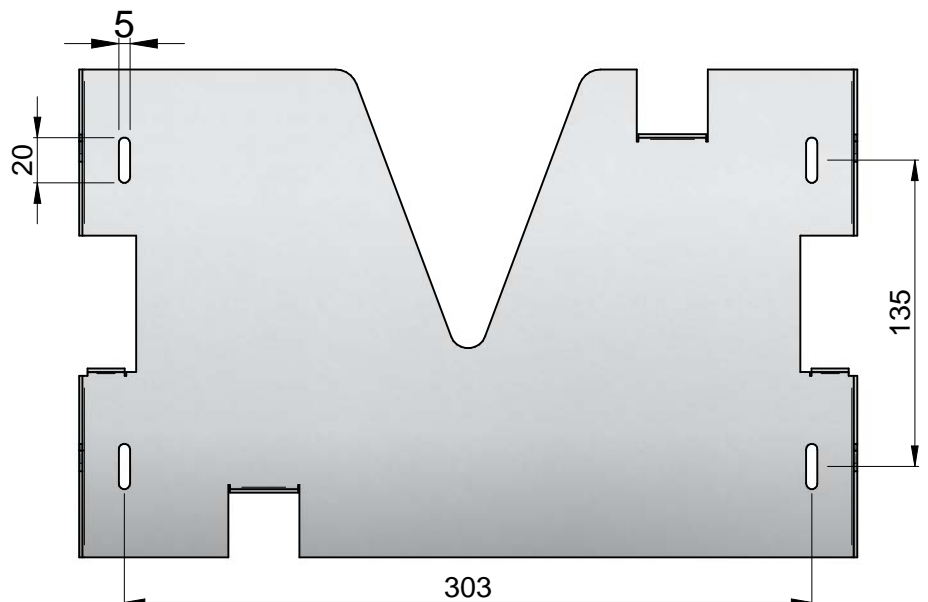
<input type="checkbox"/>	8325	<input type="checkbox"/>	CA001DWHMDI
<input checked="" type="checkbox"/>	8326	<input checked="" type="checkbox"/>	CA001DBBMDI
<input type="checkbox"/>	8550		
<input checked="" type="checkbox"/>	8551		



3.2

400x400

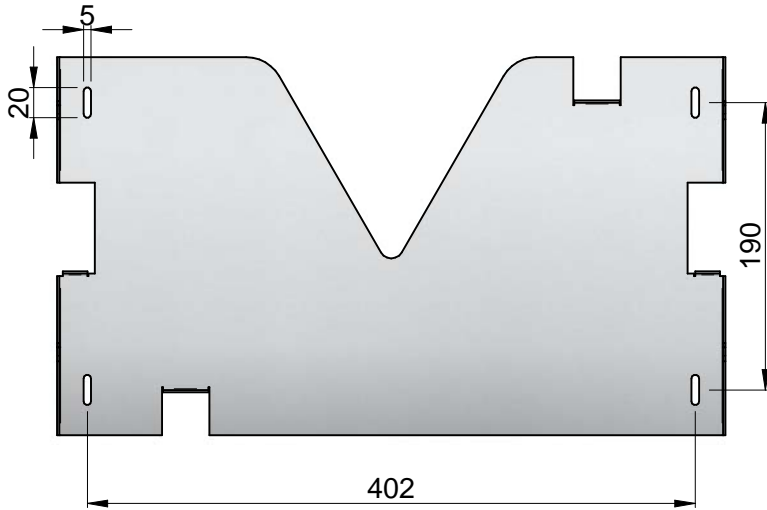
<input type="checkbox"/>	8328	<input type="checkbox"/>	CA002DWHMDI
<input checked="" type="checkbox"/>	8329	<input checked="" type="checkbox"/>	CA002DBBMDI
<input type="checkbox"/>	8553		
<input checked="" type="checkbox"/>	8554		



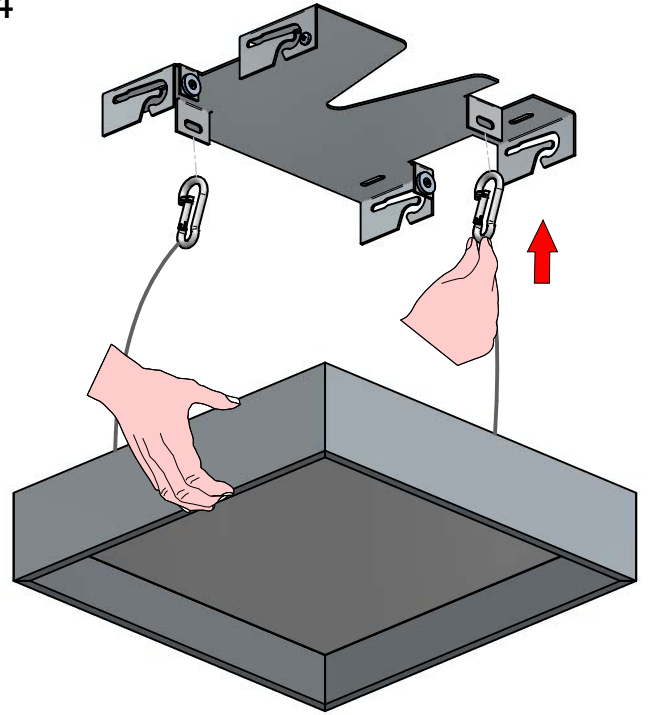
3.3

500x500

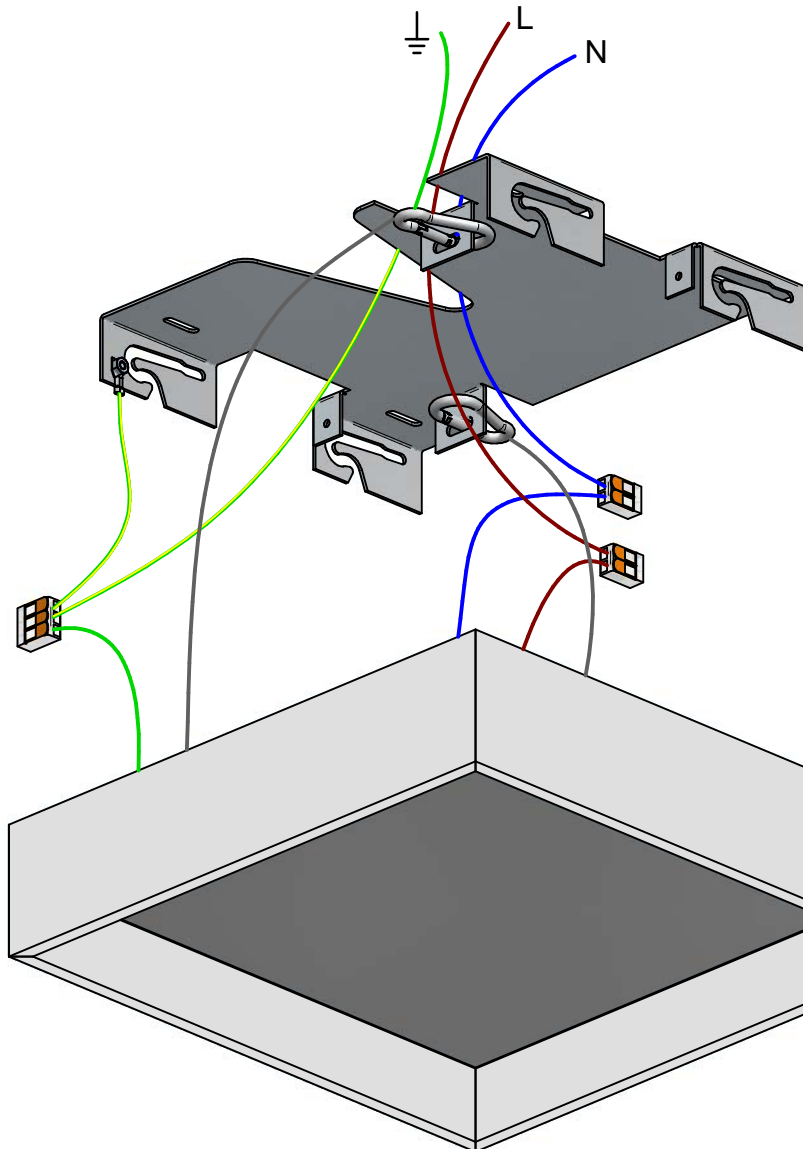
- | | | | | | |
|-------------------------------------|------|-------------------------------------|-------------|-------------------------------------|------|
| <input type="checkbox"/> | 8331 | <input type="checkbox"/> | CA003DWHMDI | <input type="checkbox"/> | 8556 |
| <input checked="" type="checkbox"/> | 8332 | <input checked="" type="checkbox"/> | CA003DBBMDI | <input checked="" type="checkbox"/> | 8557 |



4



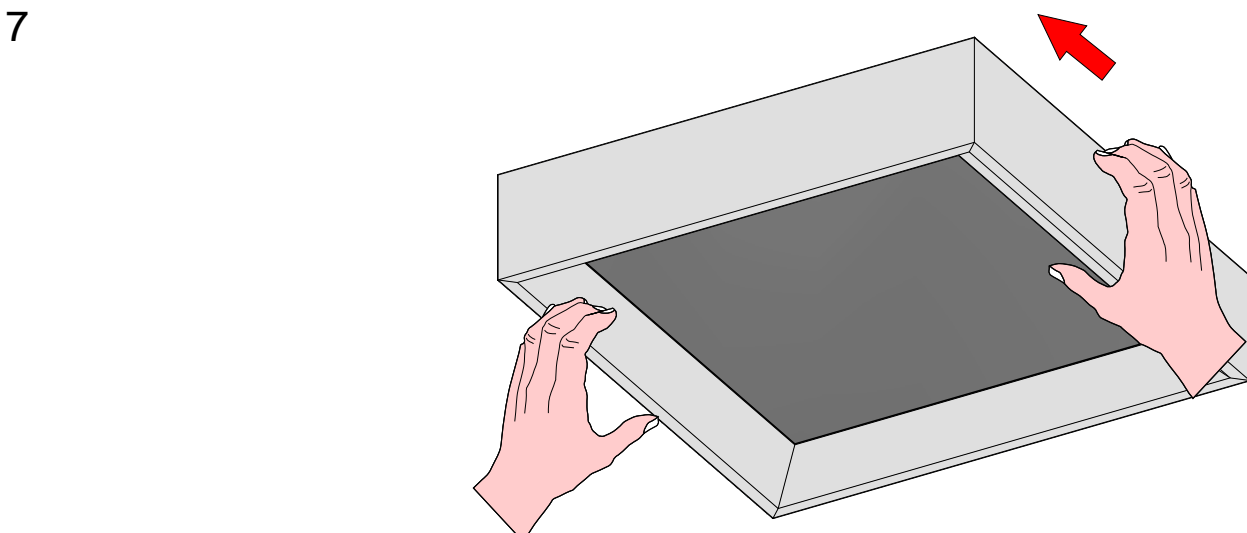
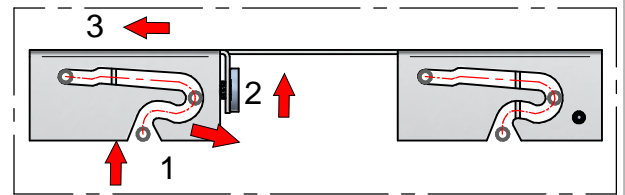
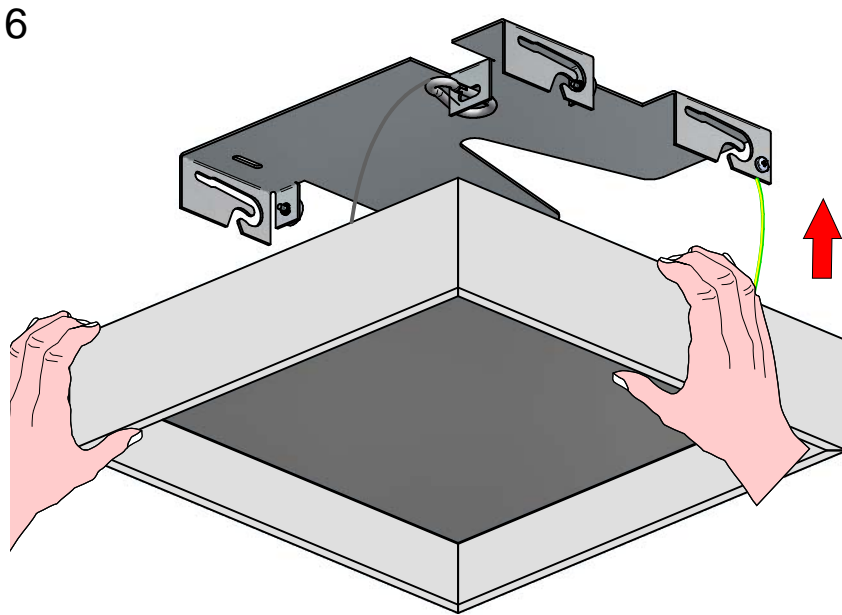
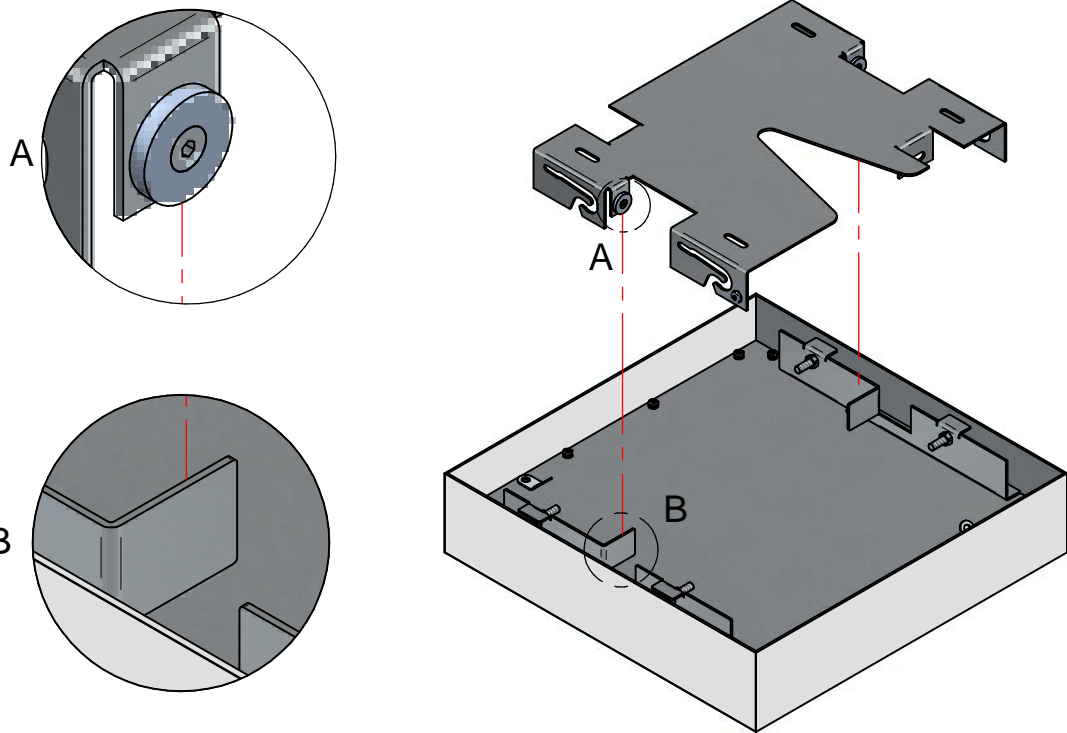
5



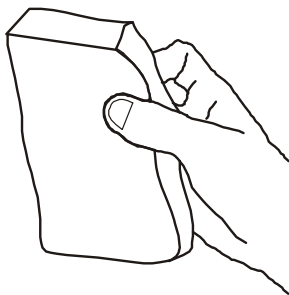
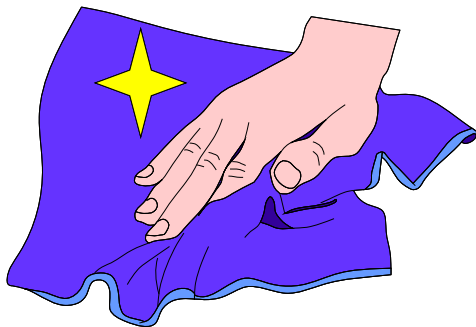
- | | |
|-------------------------------------|-------------|
| <input type="checkbox"/> | CA001DWHMDI |
| <input checked="" type="checkbox"/> | CA001DBBMDI |
| <input type="checkbox"/> | CA002DWHMDI |
| <input checked="" type="checkbox"/> | CA002DBBMDI |
| <input type="checkbox"/> | CA003DWHMDI |
| <input checked="" type="checkbox"/> | CA003DBBMDI |
| <input type="checkbox"/> | 8550 |
| <input checked="" type="checkbox"/> | 8551 |
| <input type="checkbox"/> | 8553 |
| <input checked="" type="checkbox"/> | 8554 |
| <input type="checkbox"/> | 8556 |
| <input checked="" type="checkbox"/> | 8557 |



KIT0026 Dimmer
NOT INCLUDED



ISTRUZIONI PER IL LAVAGGIO DELL'APPARECCHIO D'ILLUMINAZIONE
LUMINAIRE CARE INSTRUCTIONS
ISTRUCCIONES PARA LIMPIAR LA LUMINARA
INSTRUCTIONS POUR LE LAVAGE DE L'APPAREIL D'ECLAIRAGE
ANLEITUNG ZUR REINIGUNG DES BELEUCHTUNGSGERATS



IT - ATTENZIONE!!!

Lavare la superficie del diffusore luce con panno umido, utilizzando solo acqua e sapone neutro.

EN - WARNING!!!

Wipe clean with a cloth dampened in water with neutral detergent.

ES - ATENCION!!!

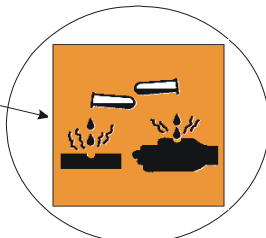
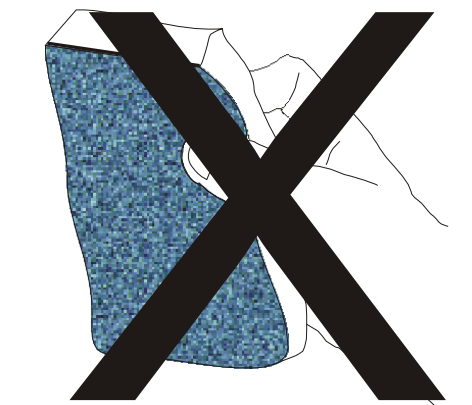
Limpie la superficie del difusor con un pano humedecido con agua y jabon neutro.

FR - ATTENTION!!!

Laver la surface du diffuseur de lumiere a l'aide d'un chiffon humide et en utilisant seulement de l'eau et du savon neutre.

DE - ACHTUNG!!!

Die oberfläche vom lampenschirm mit einem feuchten lappen reinigen. De lappen mit wasser und neutralseife befeuchten.



IT - ATTENZIONE!!!

Non utilizzare panni abrasivi e/o solventi.

EN - WARNING!!!

Avoiding the use of chemical solvents and/or abrasive cloths.

ES - ATENCION!!!

No utilizar panos abrasivos y solventes.

FR - ATTENTION!!!

Ne pas utiliser de chiffons abrasifs ou de dissolvants.

DE - ACHTUNG!!!

Abschleifende tuche und/oder losungsmittel nicht benutzen.