
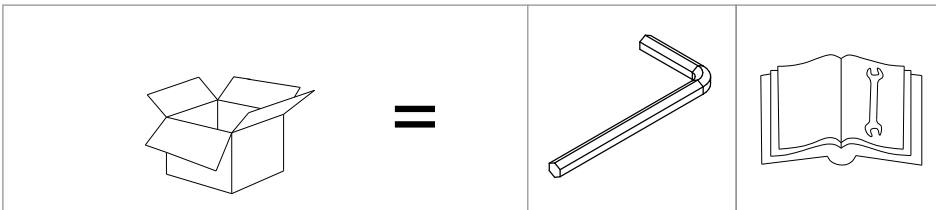
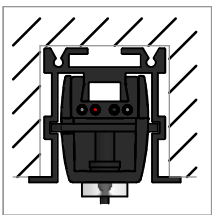
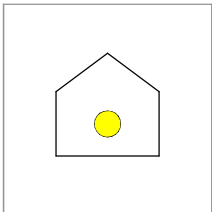
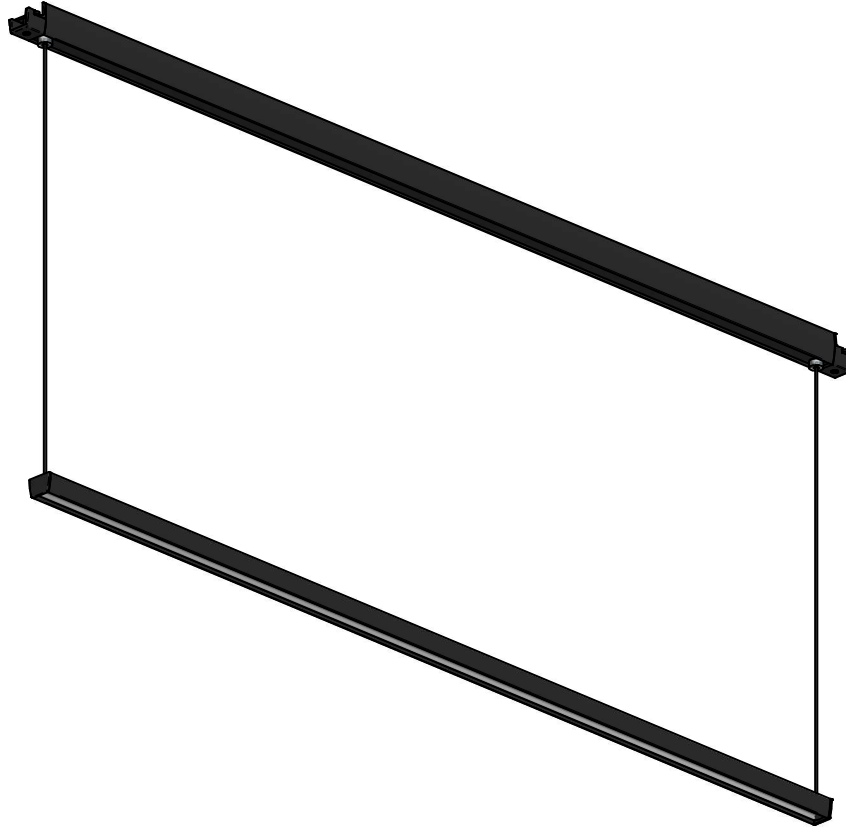
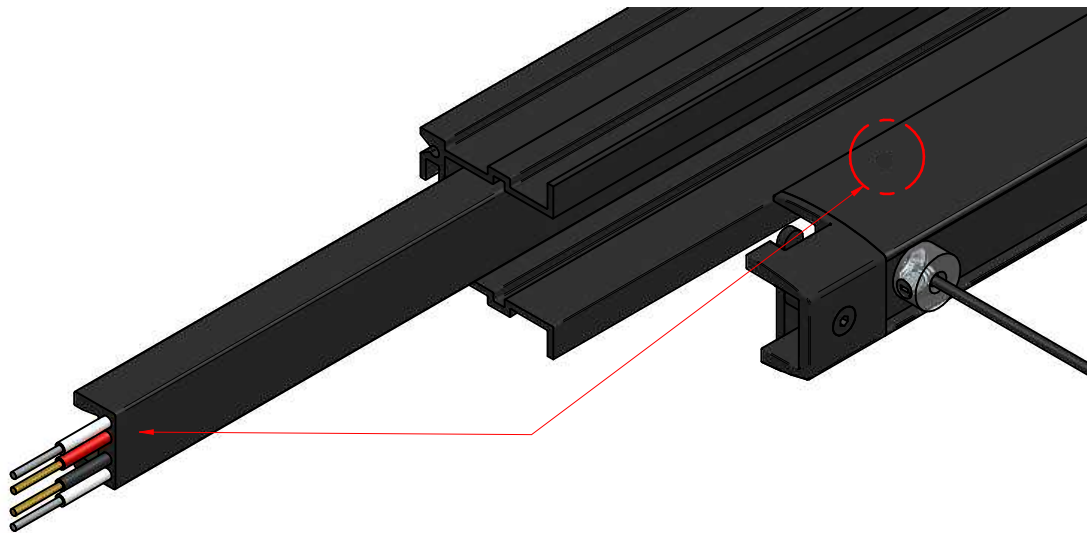
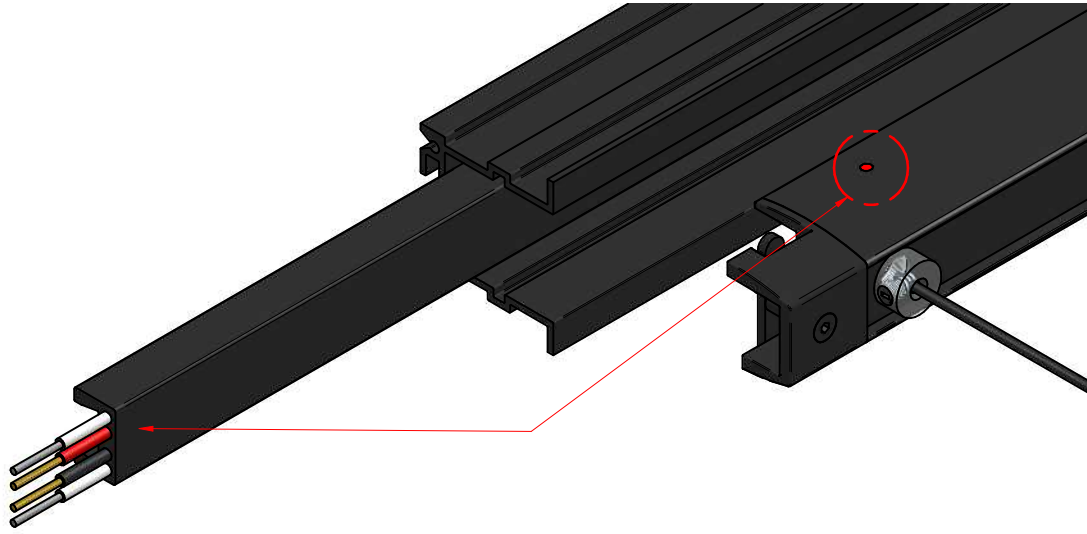


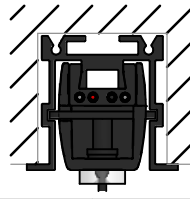
INK
rev:00



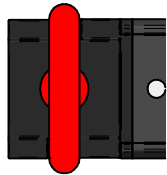
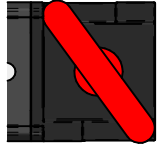
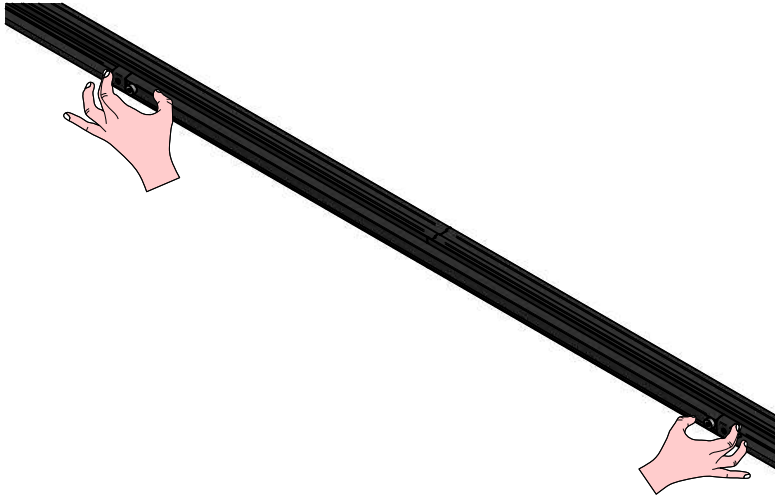
	L900 	L1200 
INC	83961W00	83962W00
INC DALIPP	84002W00	84003W00



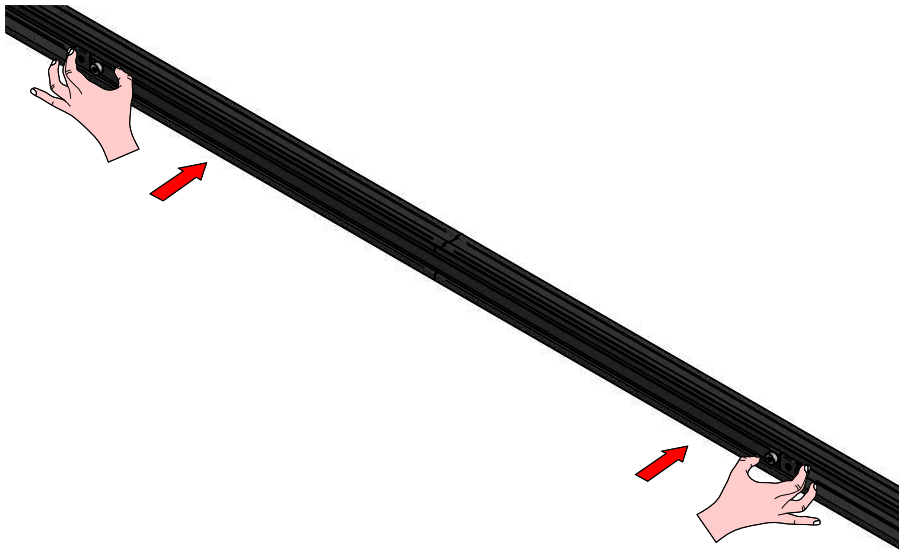




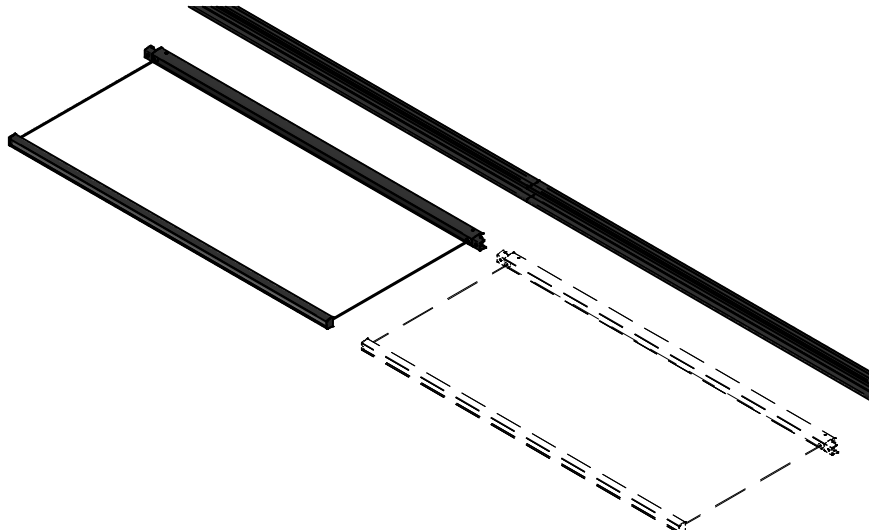
1



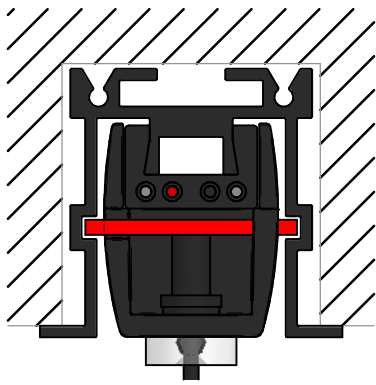
2



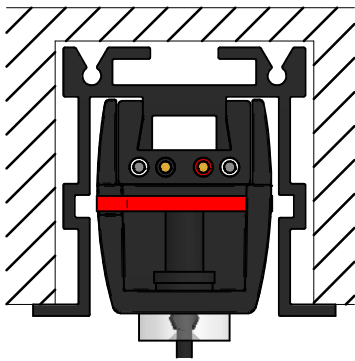
3



4



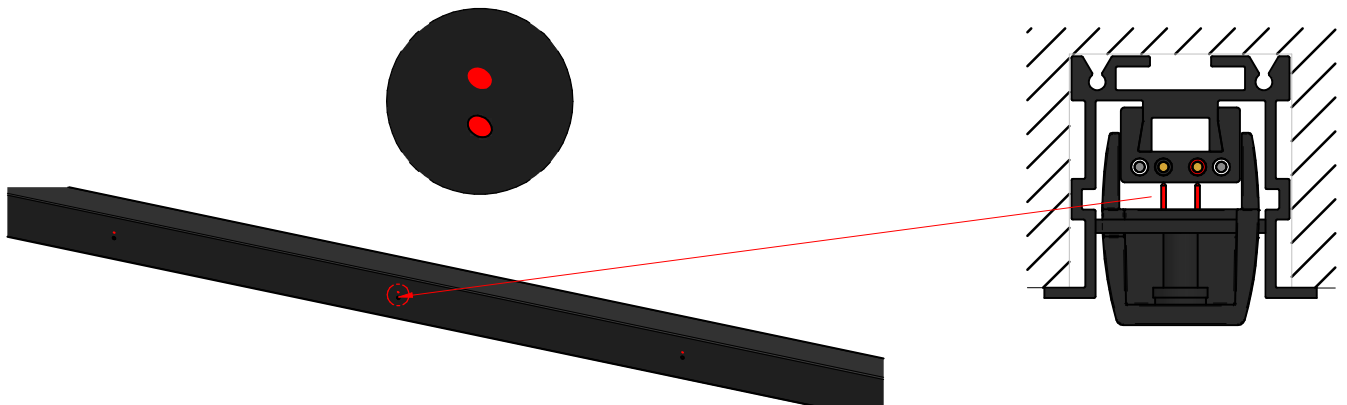
5



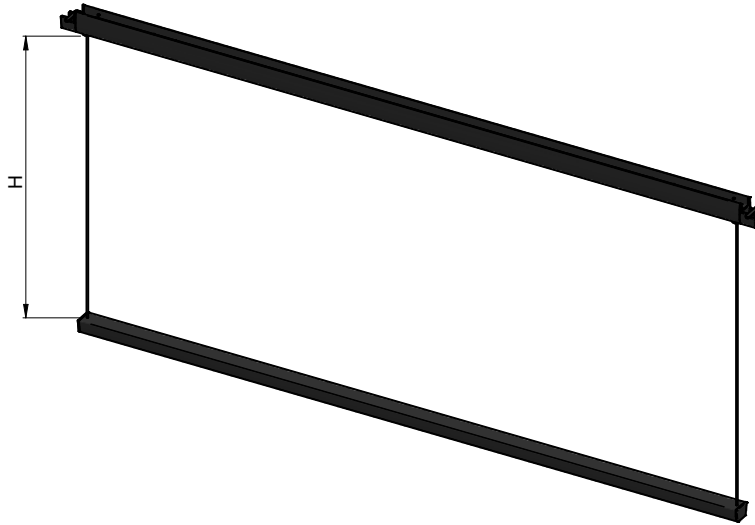
6



7

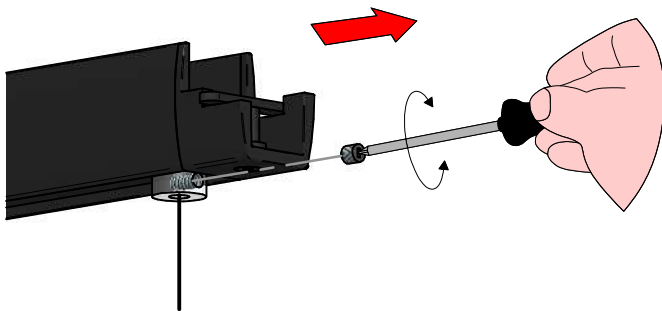


A

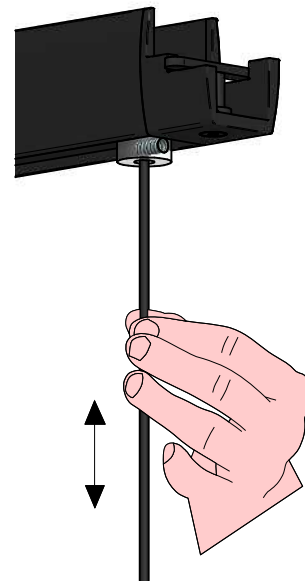


$1 \text{ MTL} < H < 2 \text{ MTL}$

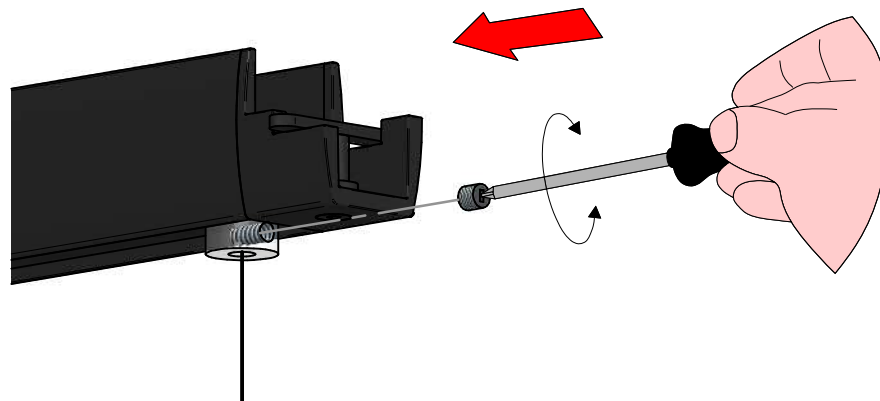
A.1



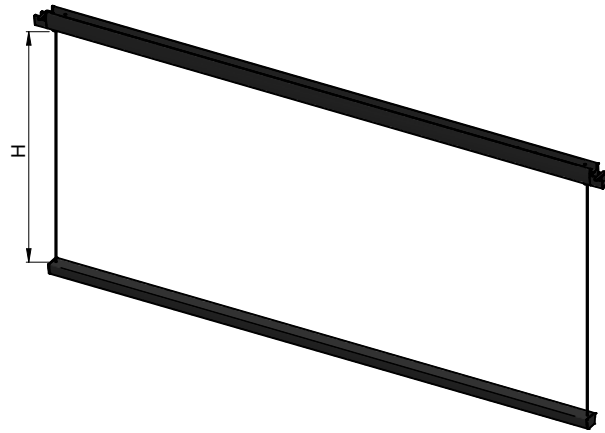
A.2



A.3

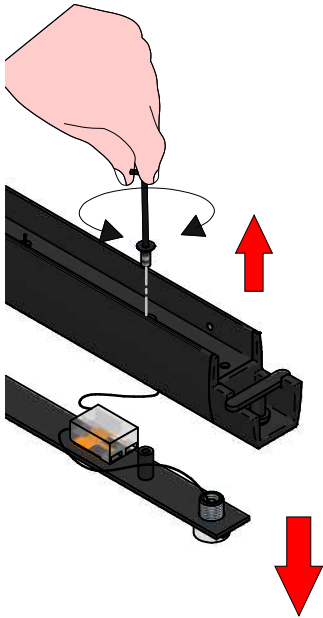


B

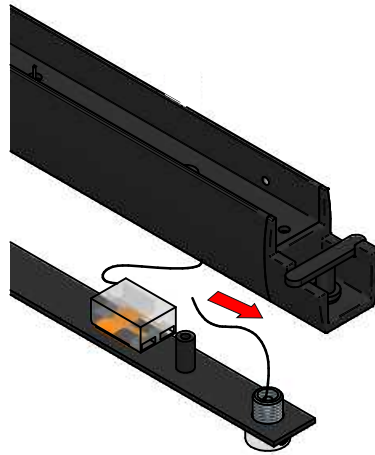


$H < 1 \text{ MTL}$

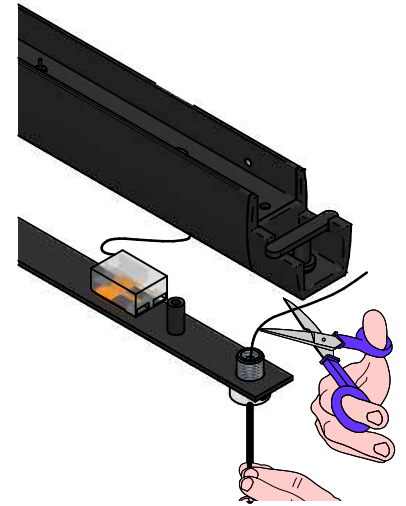
B.1



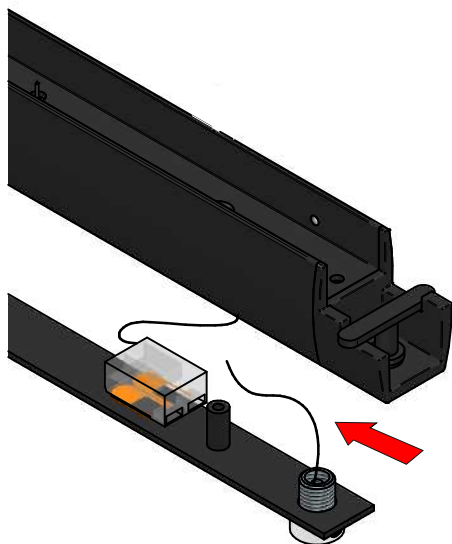
B.2



B.3



B.4



B.5

