


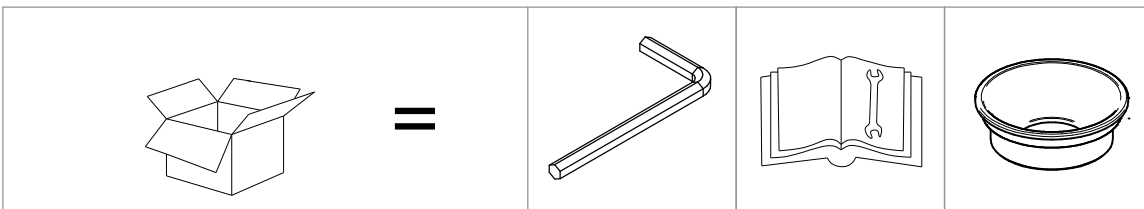
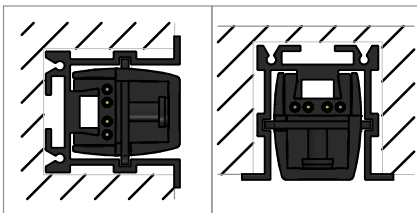
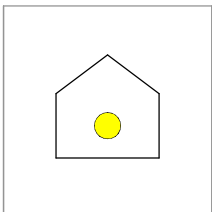
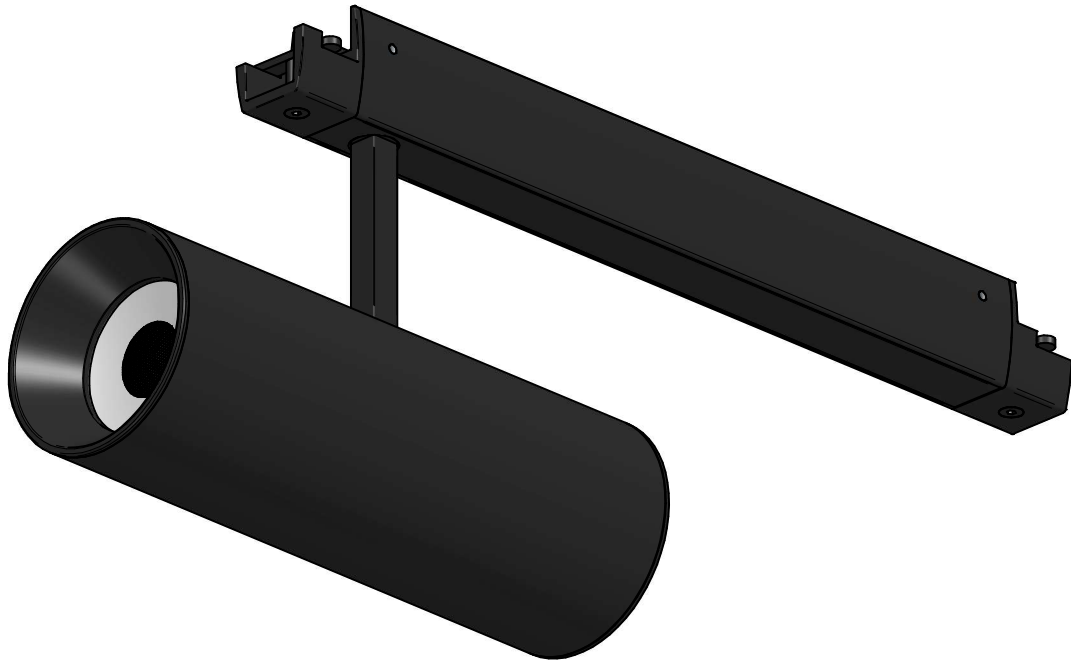
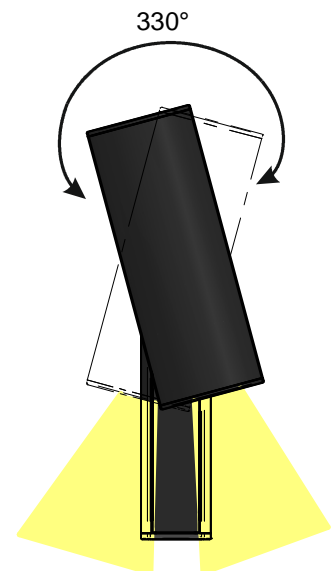
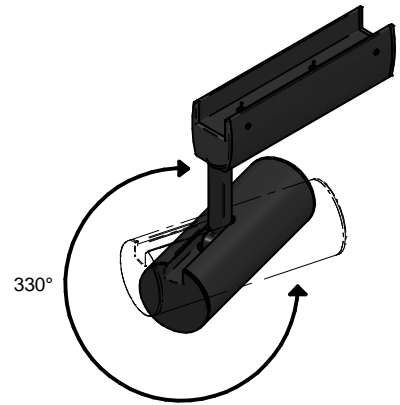
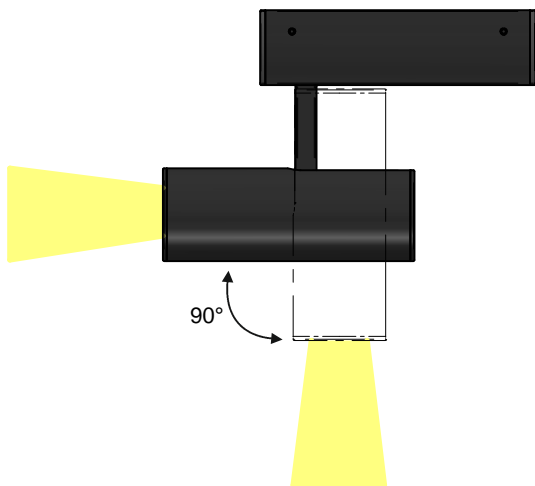
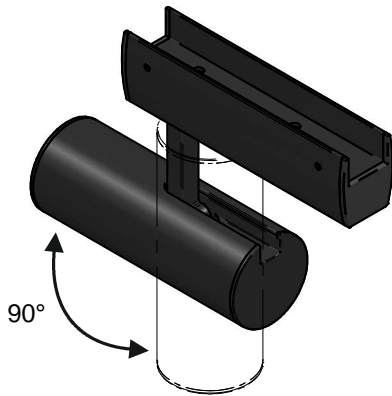
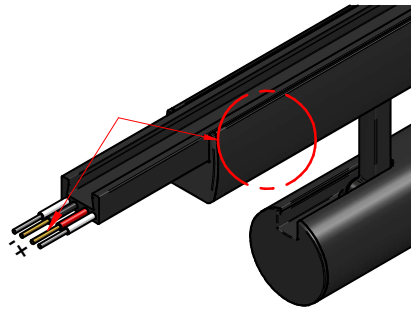
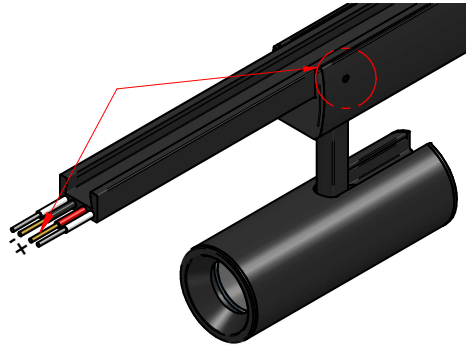
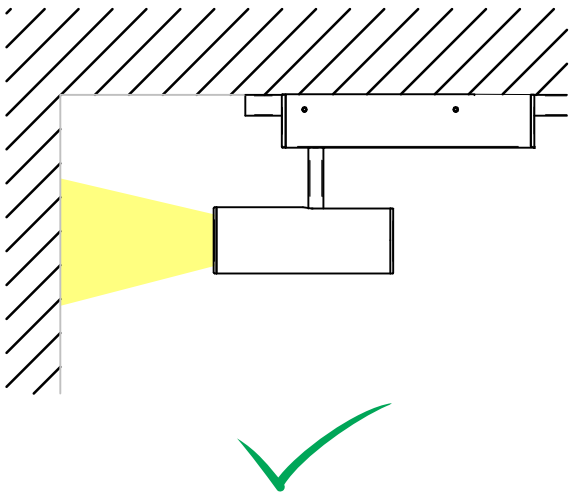


	20° 	35° 	60° 
22 W	84000W20	84000W35	84000W60

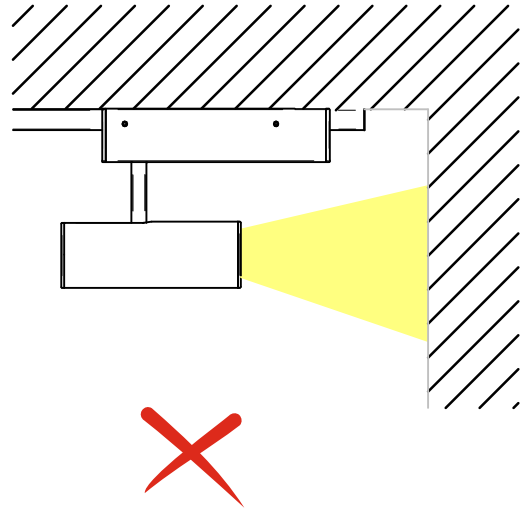




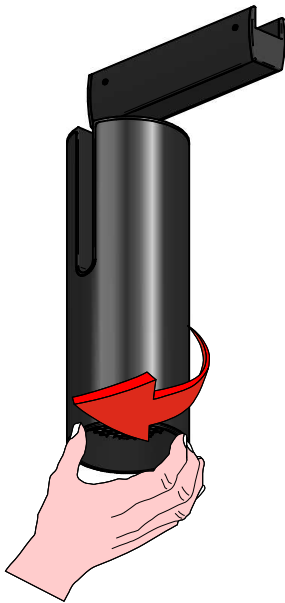
A



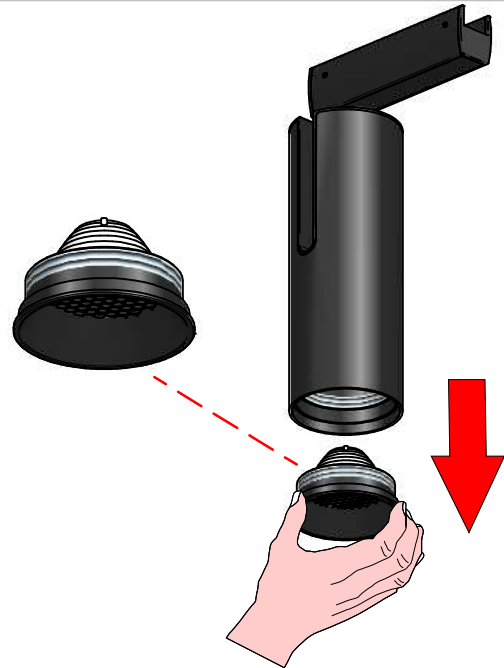
B



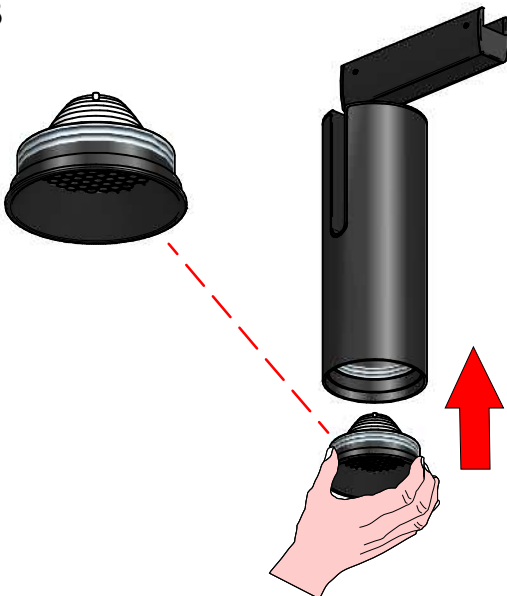
1



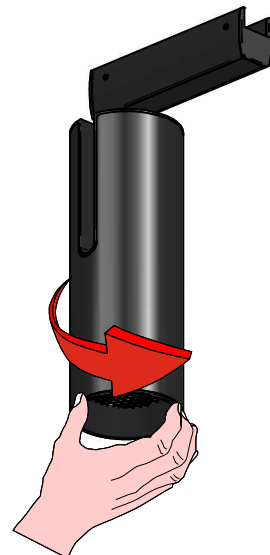
2

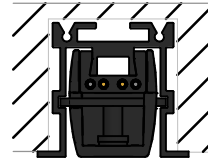
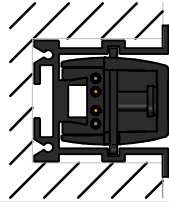


3

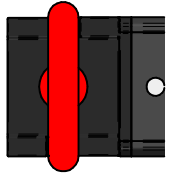
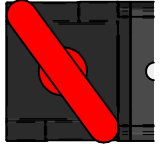
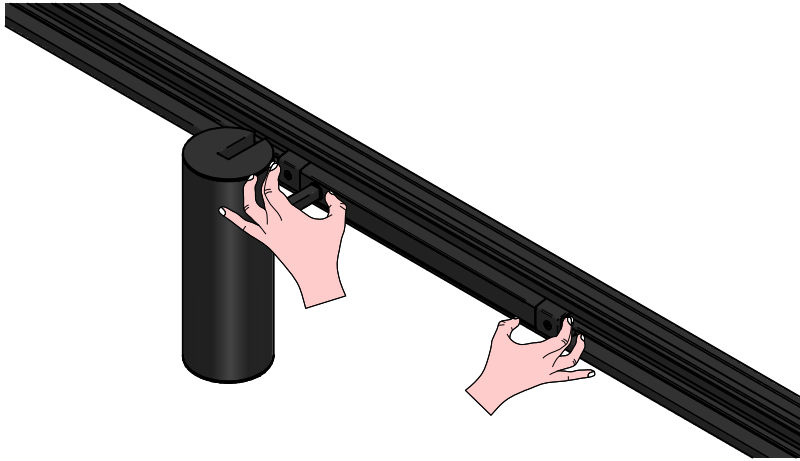


4

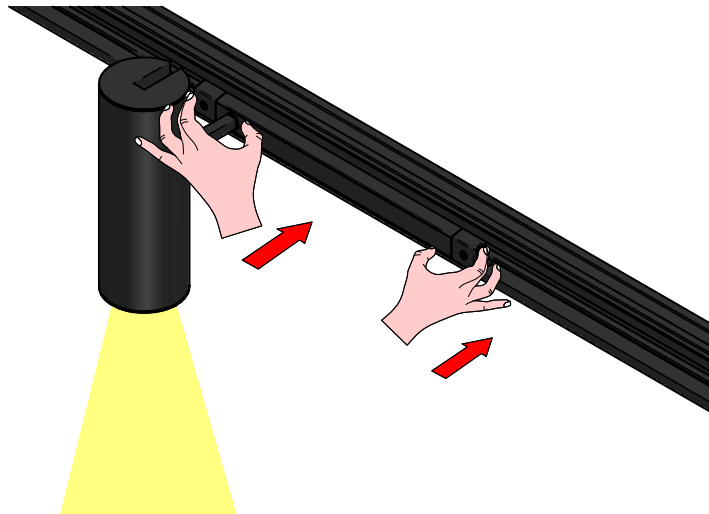




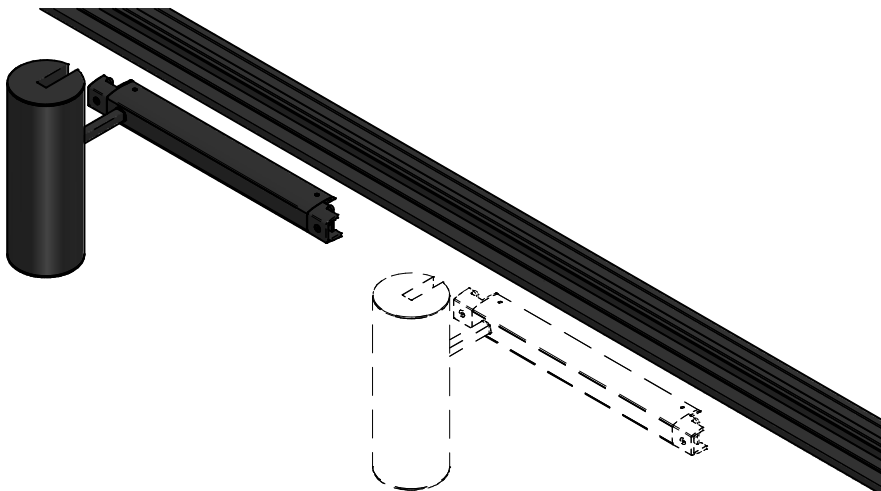
1



2



3



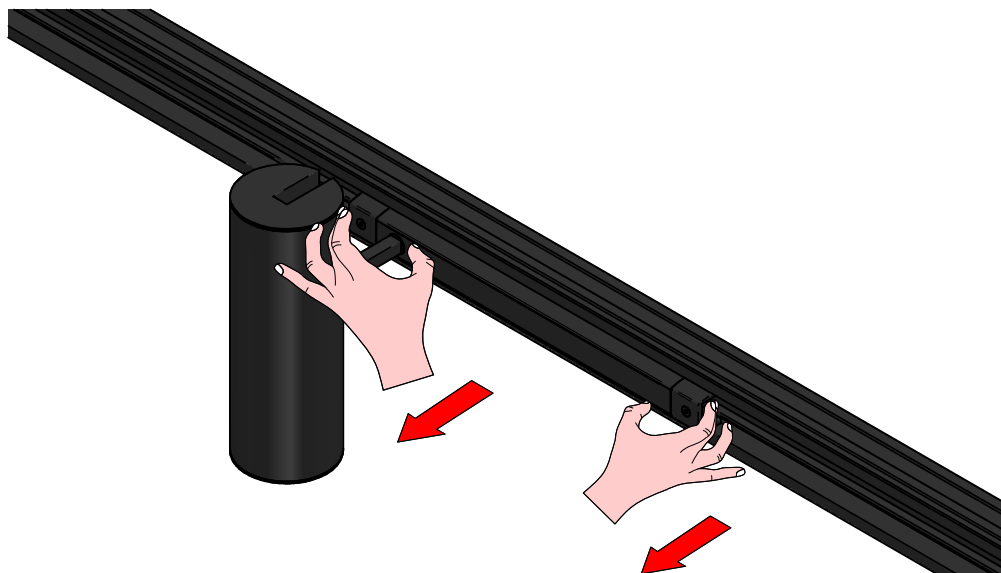
4



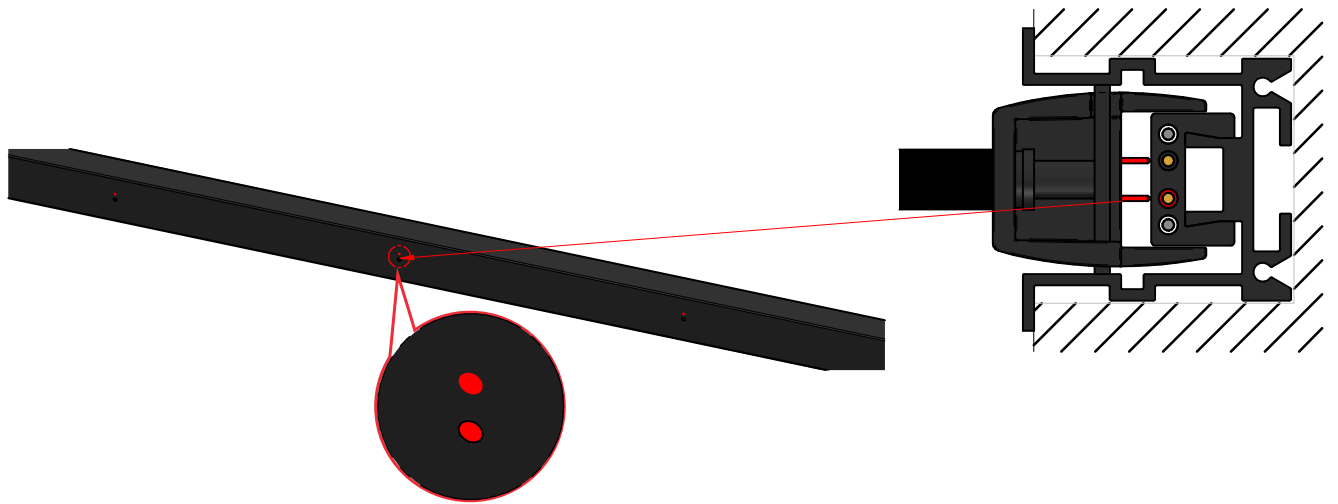
5



6



7



8

