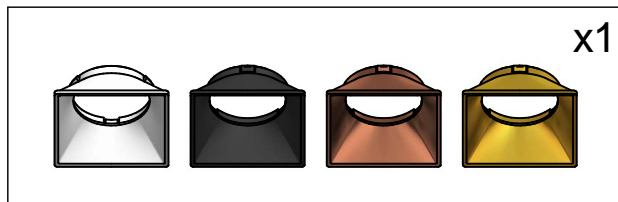
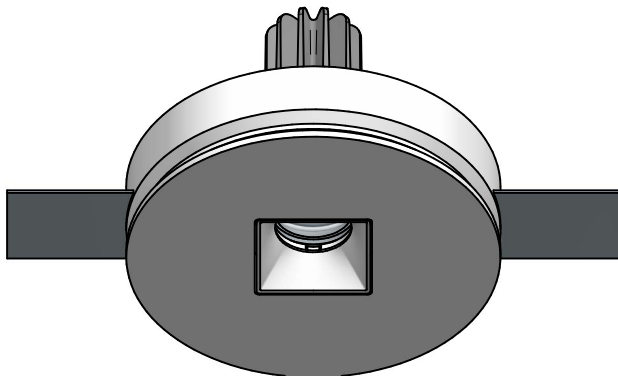
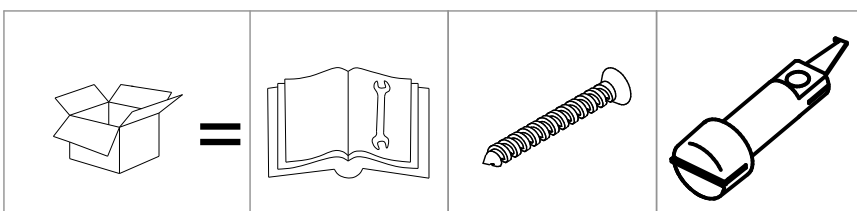
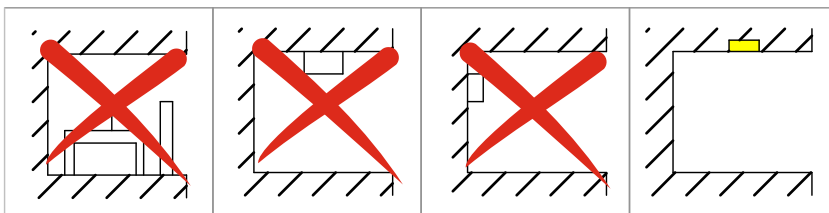
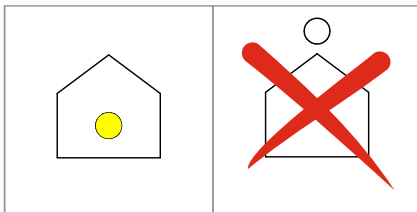


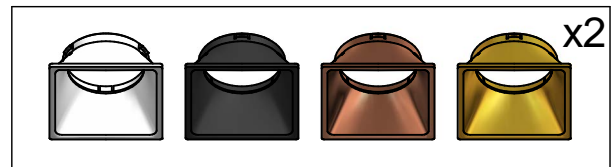
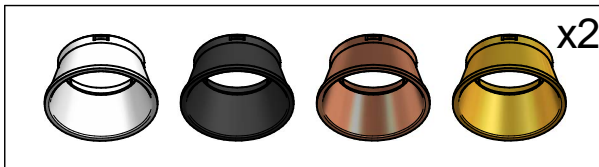
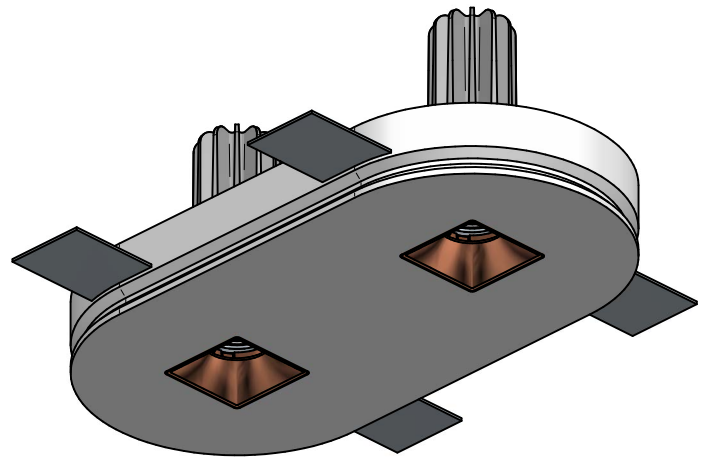
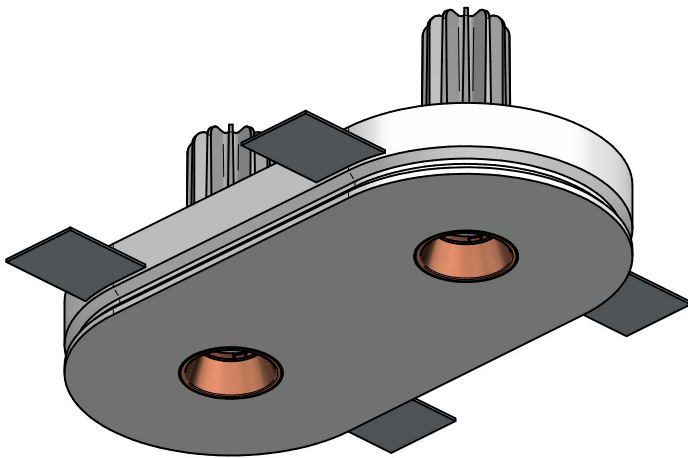
Code	Led	Lens	Driver type	Power
CA029AWHWFL	3000K	24°	ON/OFF	8W
CA029AWHMFL	2700K	24°	ON/OFF	8W
CA029AWHMMW	3000K	42°	ON/OFF	8W
CA029AWHMMW	2700K	42°	ON/OFF	8W
CA030AWHWFL	3000K	24°	ON/OFF	12W
CA030AWHMFL	2700K	24°	ON/OFF	12W
CA030AWHMMW	3000K	42°	ON/OFF	12W
CA030AWHMMW	2700K	42°	ON/OFF	12W
CA030JHWFL	3000K	24°	DALI/1-10V/PUSH	12W
CA030JWHMFL	2700K	24°	DALI/1-10V/PUSH	12W
CA030JWHMMW	3000K	42°	DALI/1-10V/PUSH	12W
CA030JWHMMW	2700K	42°	DALI/1-10V/PUSH	12W



Code	Led	Lens	Driver type	Power
CA031AWHWFL	3000K	24°	ON/OFF	8W
CA031AWHMFL	2700K	24°	ON/OFF	8W
CA031AWHMMW	3000K	42°	ON/OFF	8W
CA031AWHMMW	2700K	42°	ON/OFF	8W
CA032AWHWFL	3000K	24°	ON/OFF	12W
CA032AWHMFL	2700K	24°	ON/OFF	12W
CA032AWHMMW	3000K	42°	ON/OFF	12W
CA032AWHMMW	2700K	42°	ON/OFF	12W
CA032JHWFL	3000K	24°	DALI/1-10V/PUSH	12W
CA032JWHMFL	2700K	24°	DALI/1-10V/PUSH	12W
CA032JWHMMW	3000K	42°	DALI/1-10V/PUSH	12W
CA032JWHMMW	2700K	42°	DALI/1-10V/PUSH	12W

Pag. 3 - 7

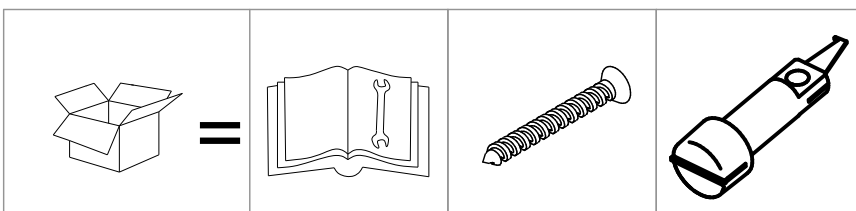
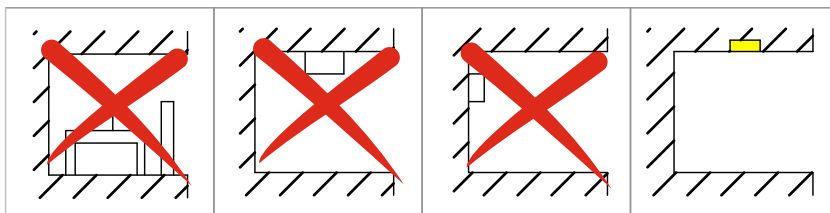
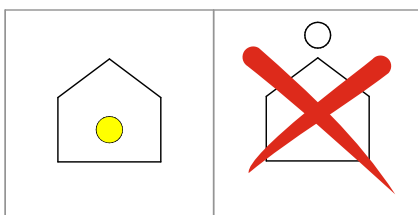




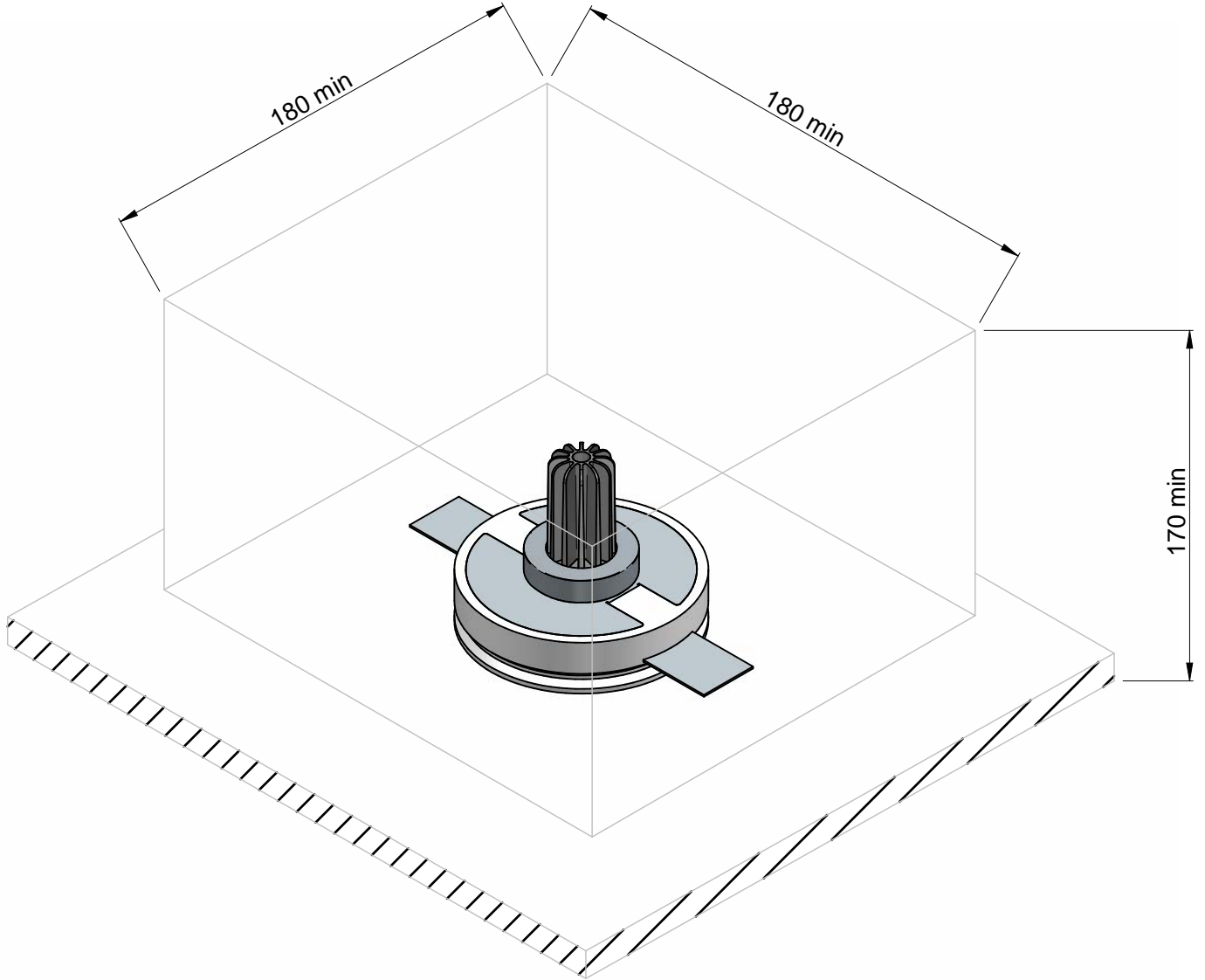
Code	Led	Lens	Driver type	Power
CA033AWHWFL	3000K	24°	ON/OFF	8W
CA033AWHMFL	2700K	24°	ON/OFF	8W
CA033AWHWMW	3000K	42°	ON/OFF	8W
CA033AWHMMW	2700K	42°	ON/OFF	8W

Code	Led	Lens	Driver type	Power
CA034AWHWFL	3000K	24°	ON/OFF	8W
CA034AWHMFL	2700K	24°	ON/OFF	8W
CA034AWHWMW	3000K	42°	ON/OFF	8W
CA034AWHMMW	2700K	42°	ON/OFF	8W

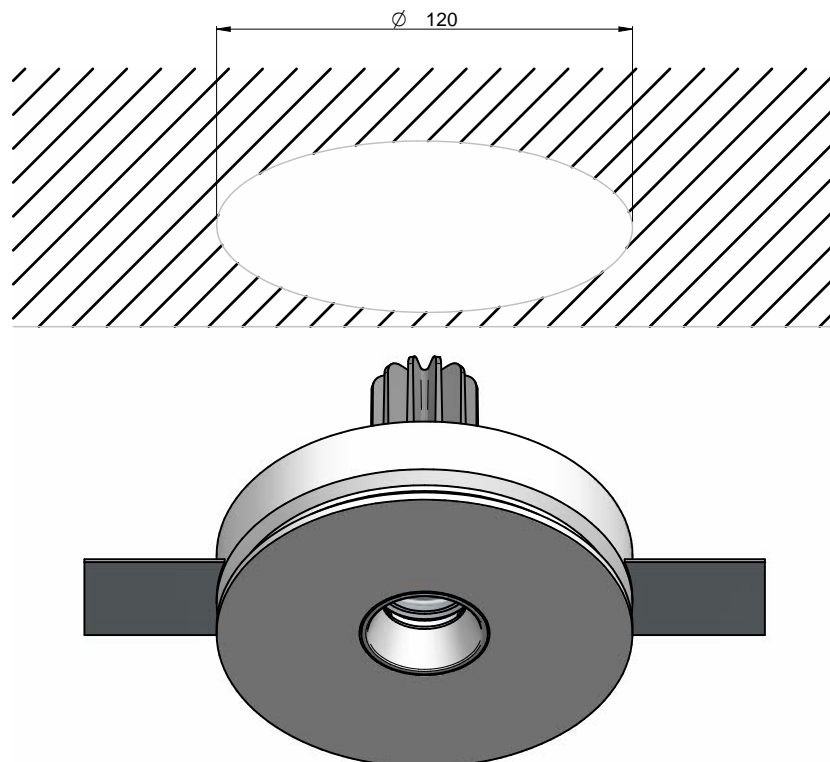
Pag. 8 - 12



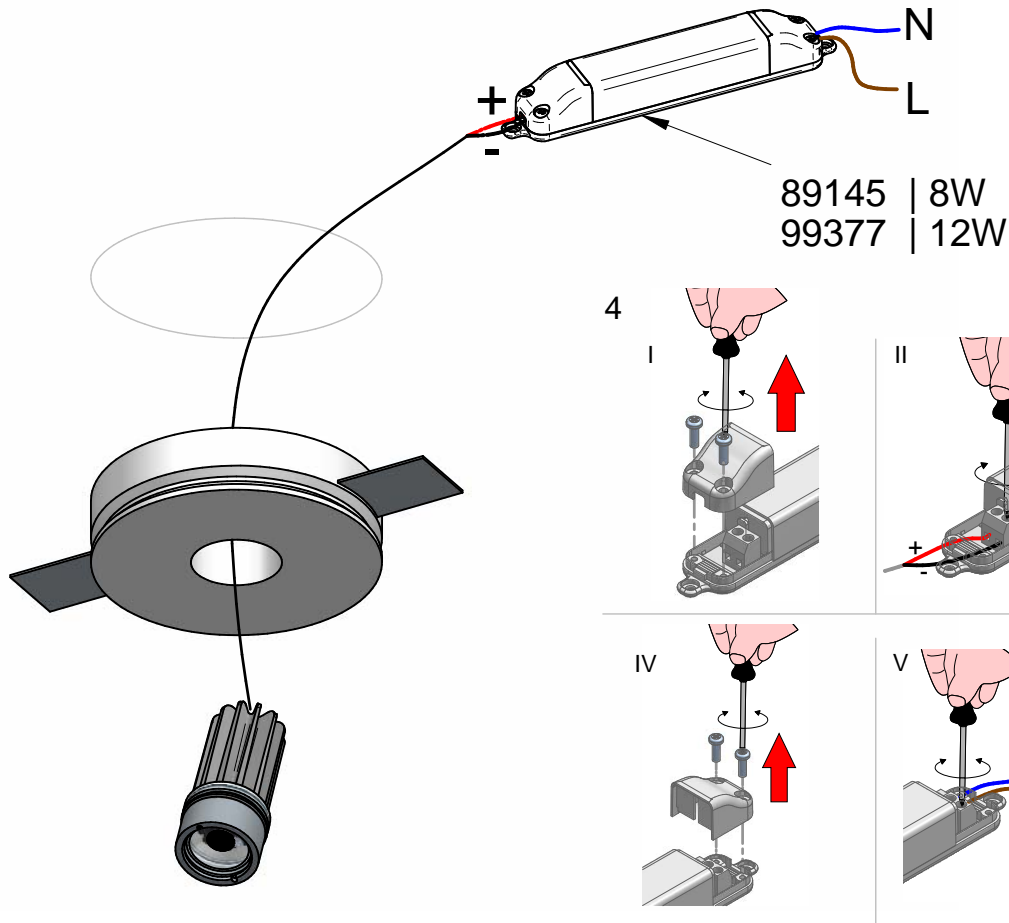
1A



2A



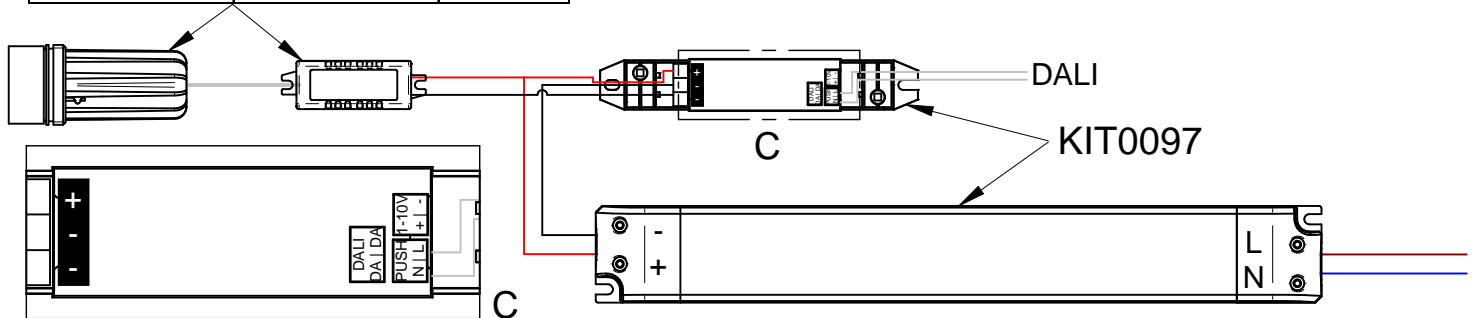
3A



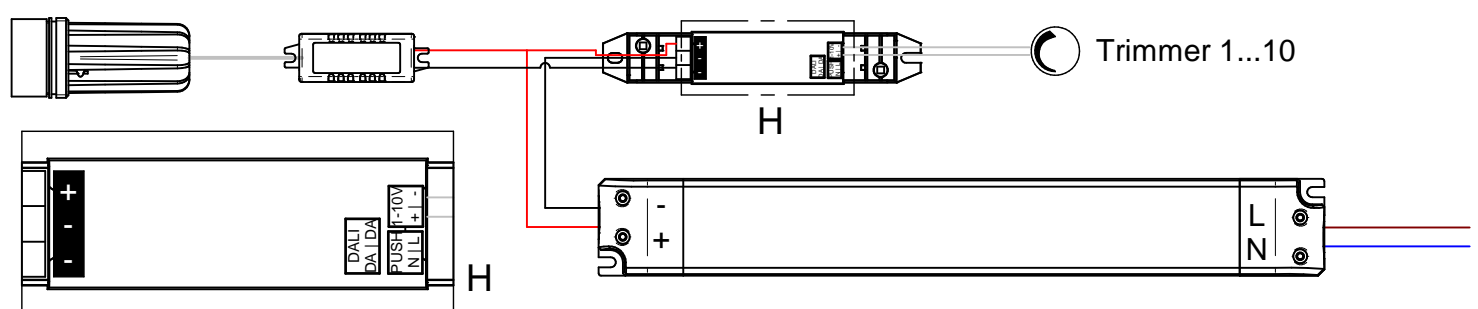
KIT0097 - MAX 9 LED (NOT INCLUDED)

Code	Code	Power
CA030JWHWFL	CA032JWHWFL	12W
CA030JWHMFL	CA032JWHMFL	12W
CA030JWHWMW	CA032JWHWMW	12W
CA030JWHMMW	CA032JWHMMW	12W

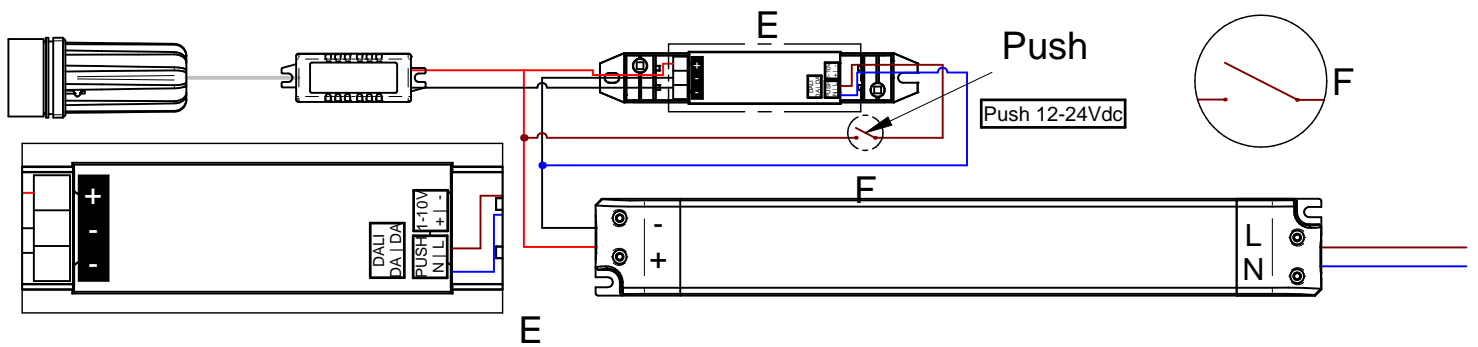
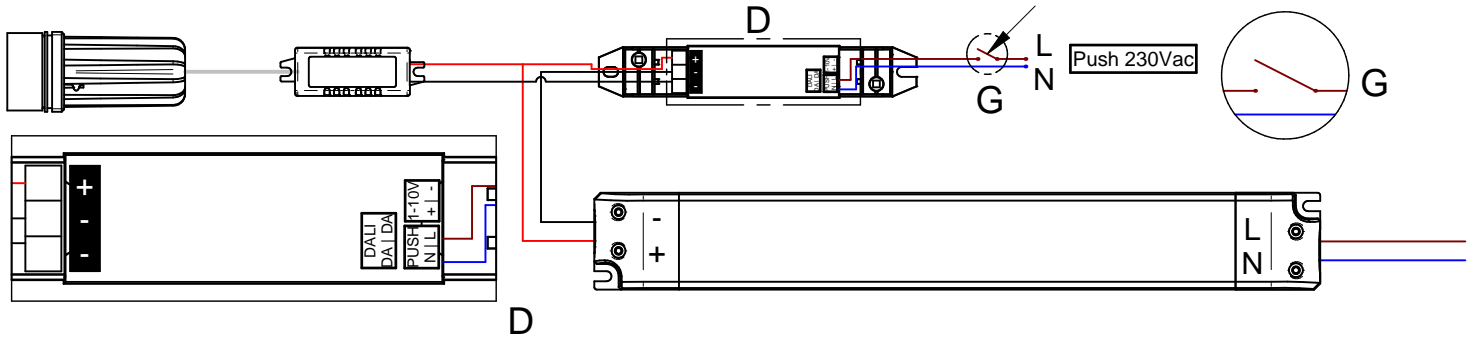
DALI



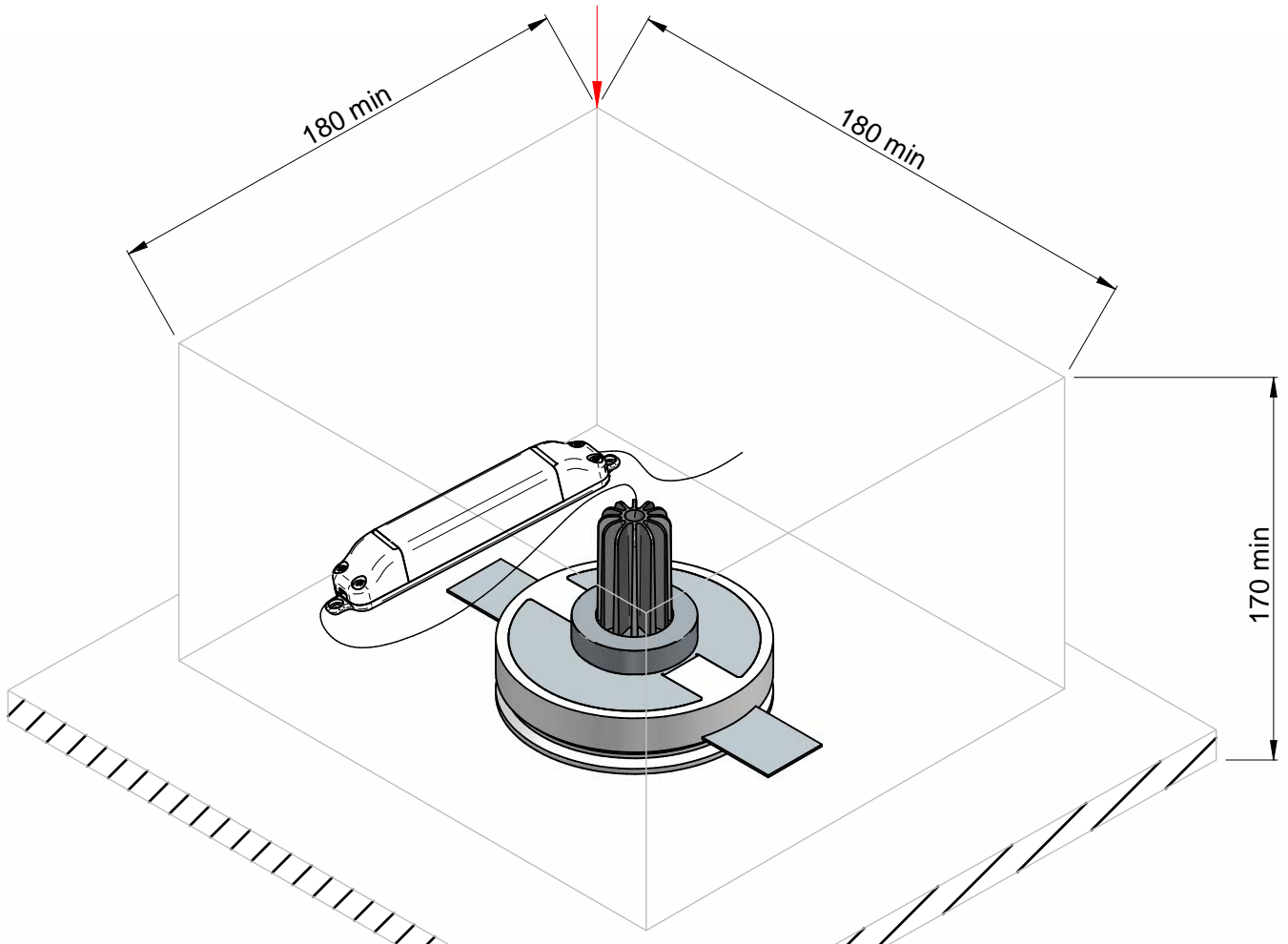
1-10V



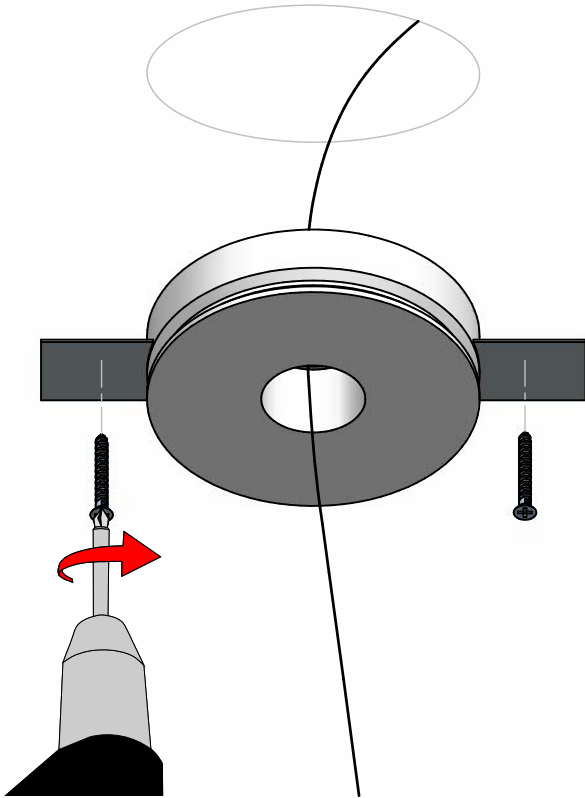
PUSH



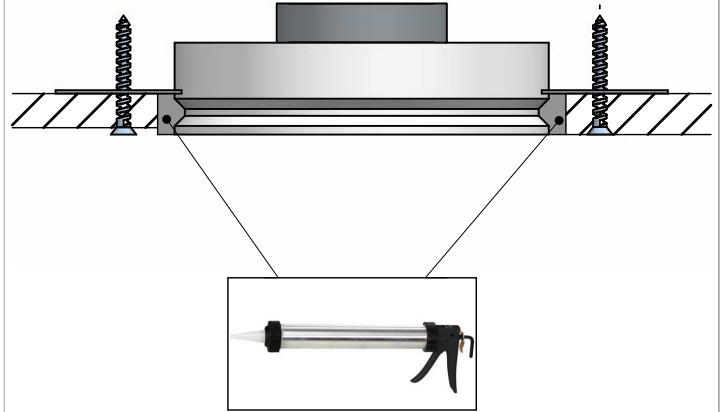
With driver 99377, do not put isolation within this area.
Con il driver 99377, non mettere l'isolamento in quest'area.



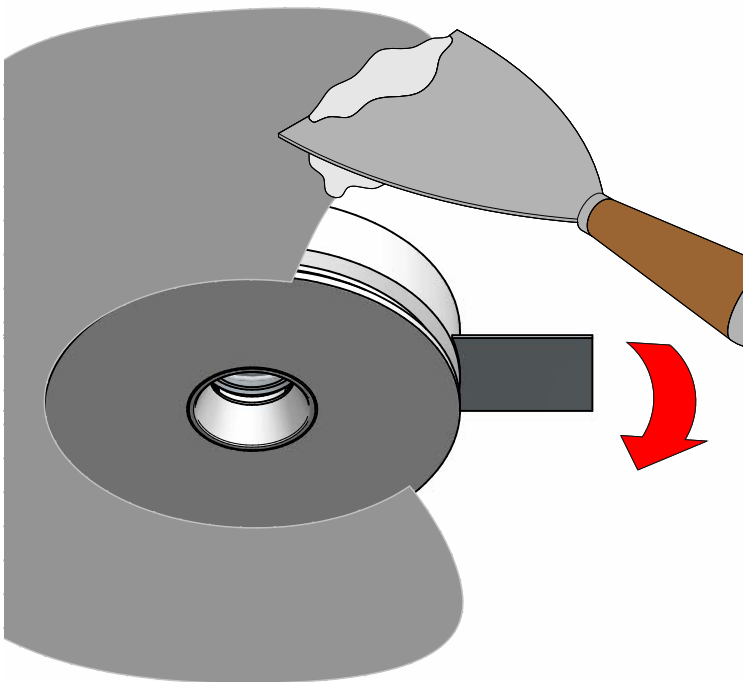
5A



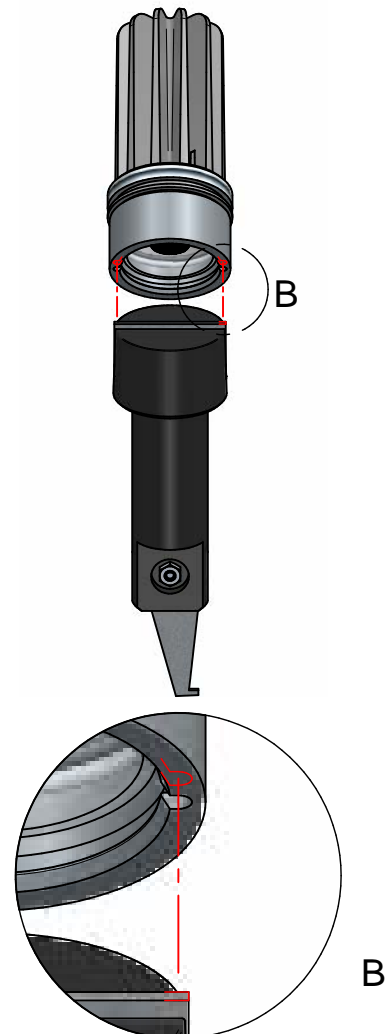
6A



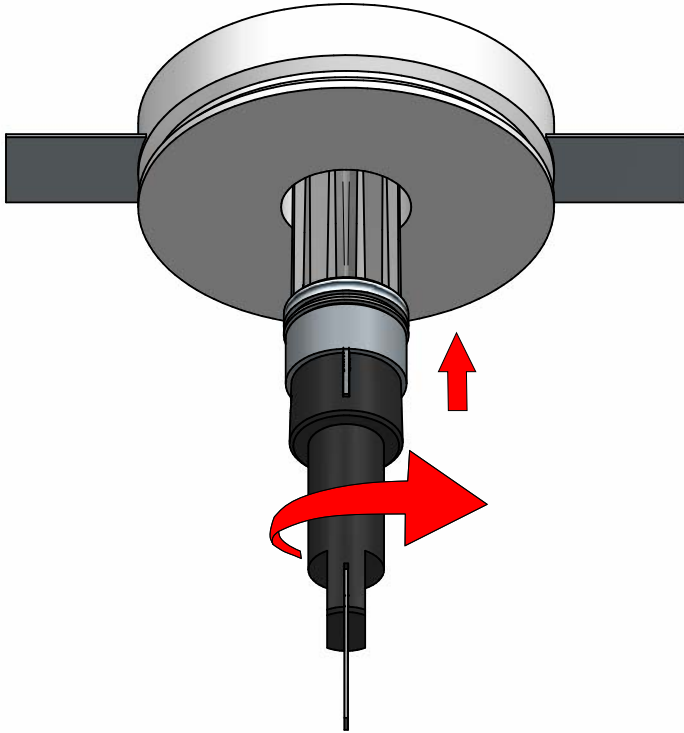
7A



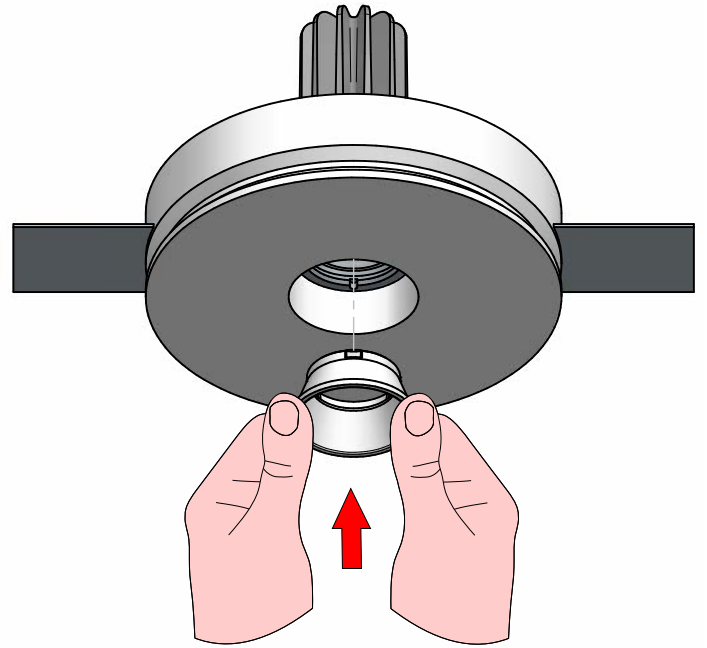
8A



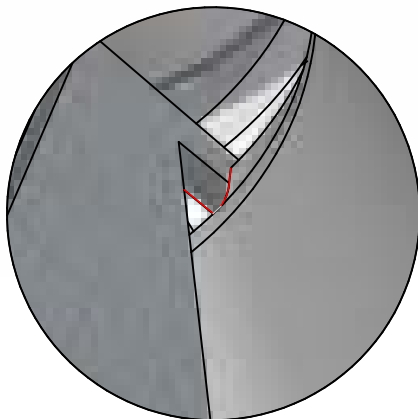
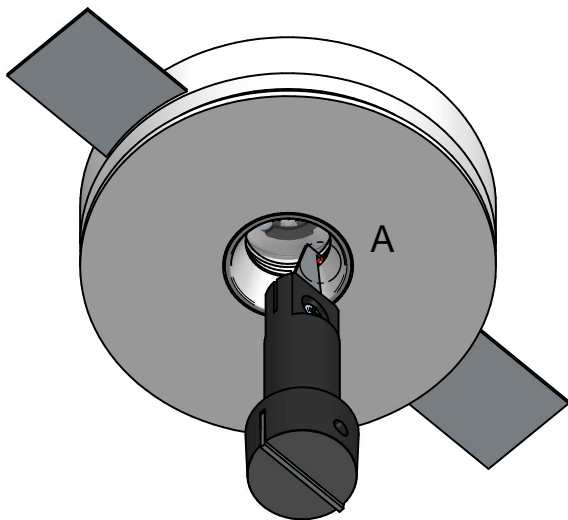
9A



10A

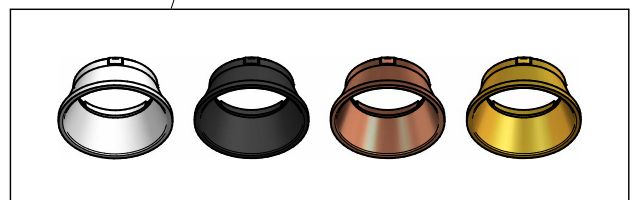
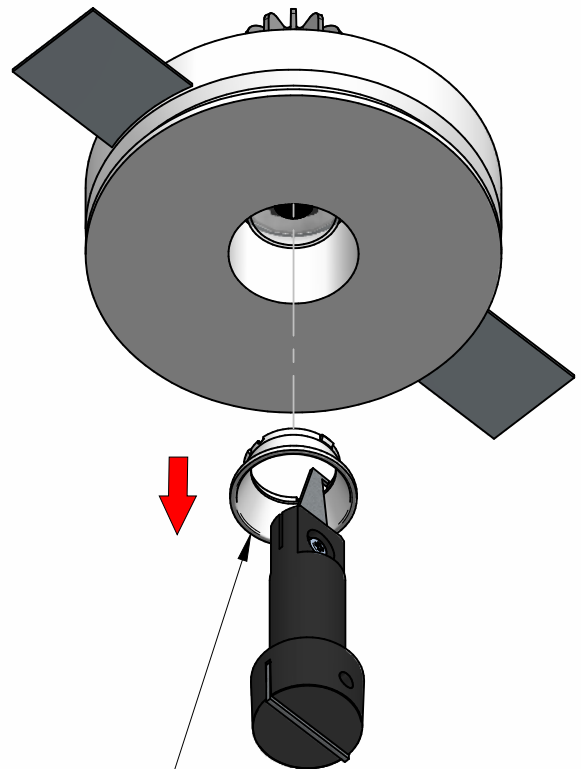


11A

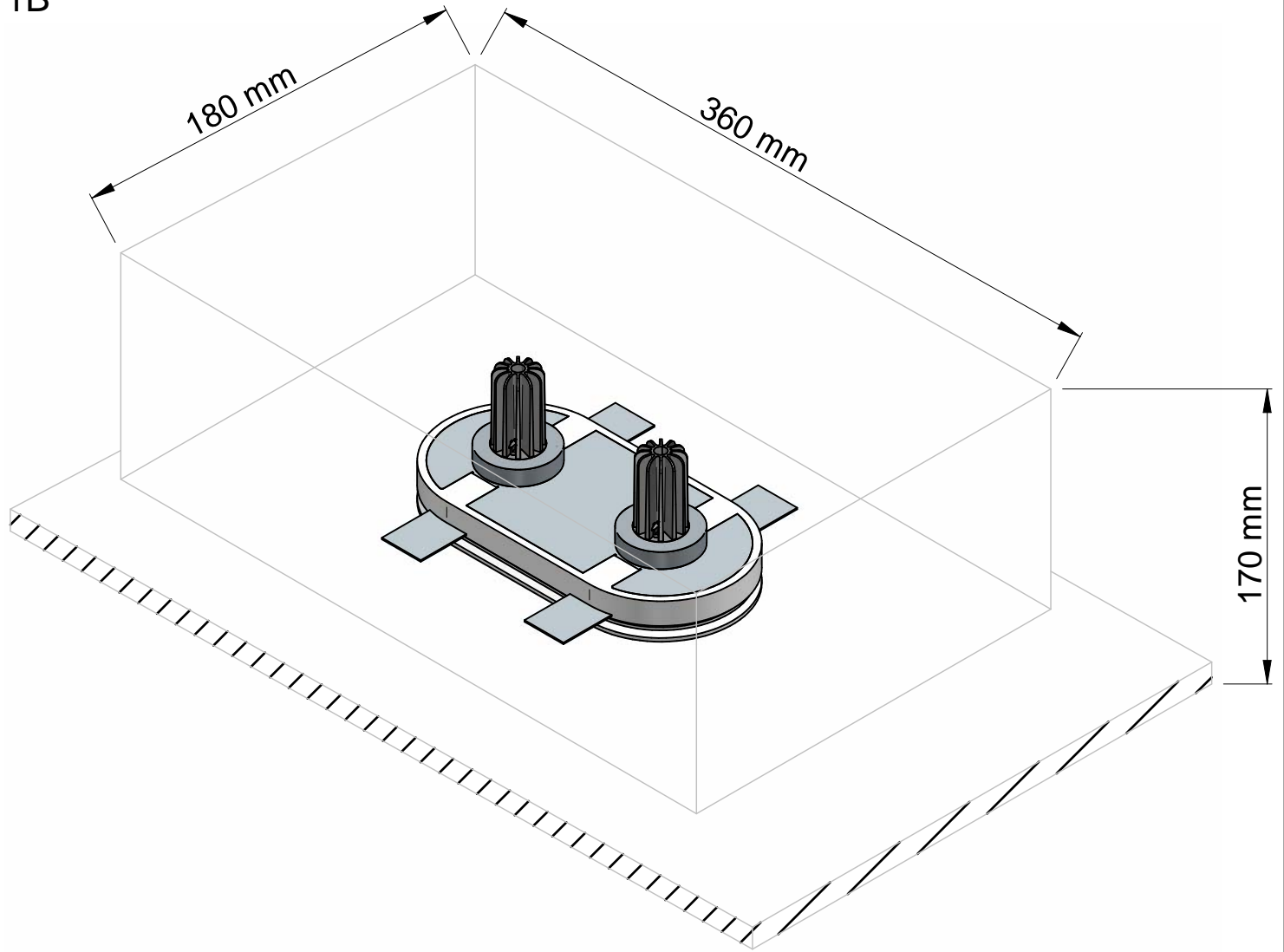


A

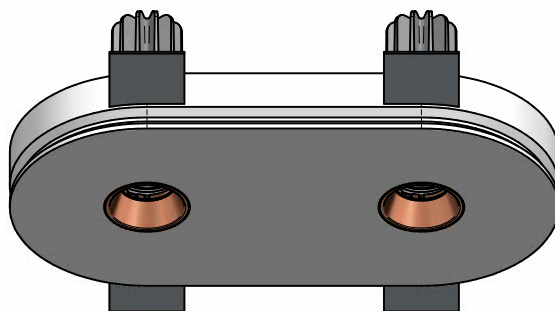
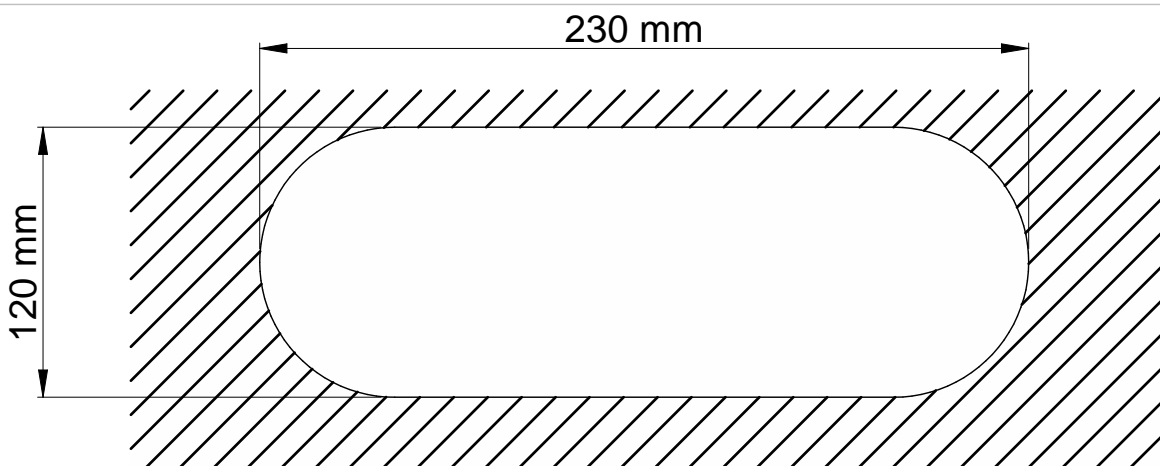
12A



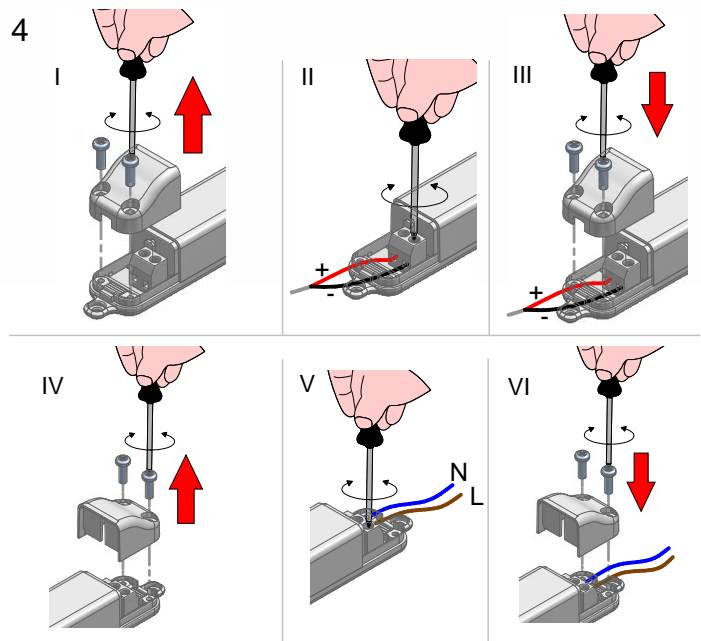
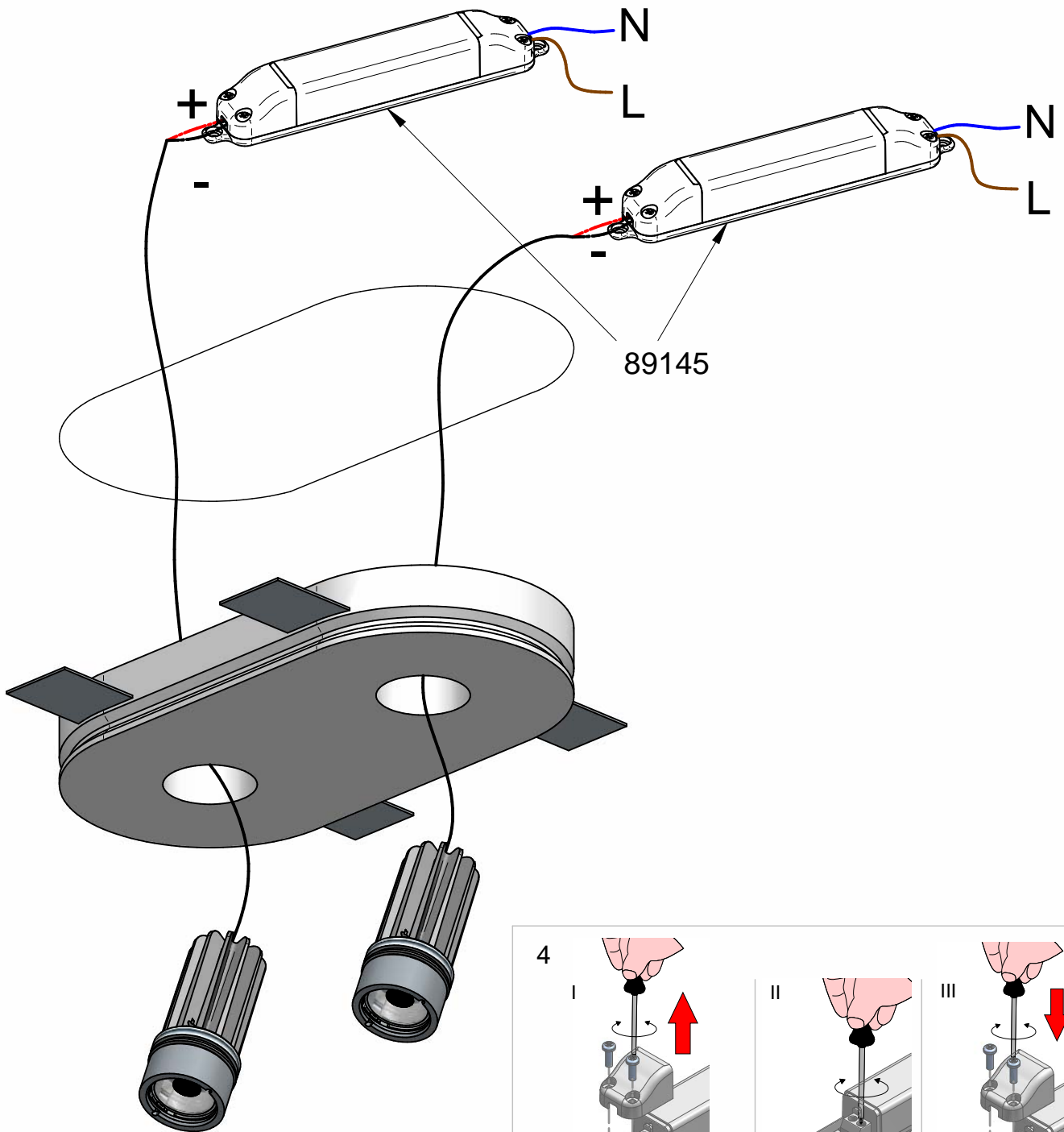
1B



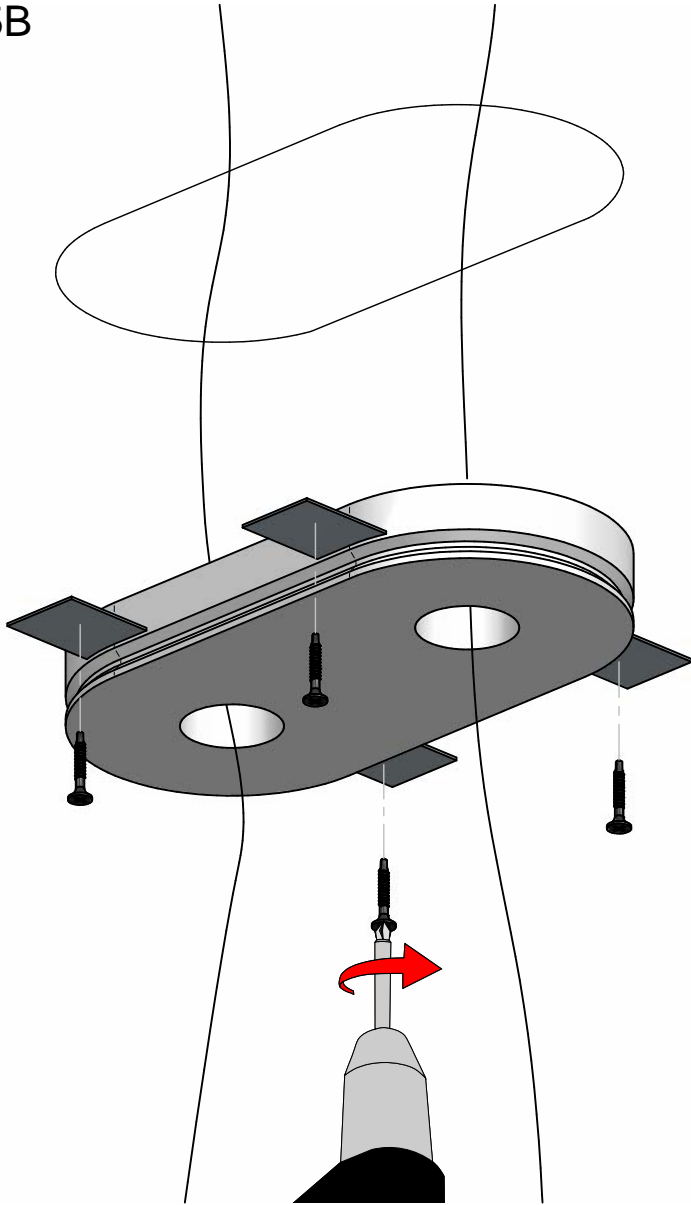
2B



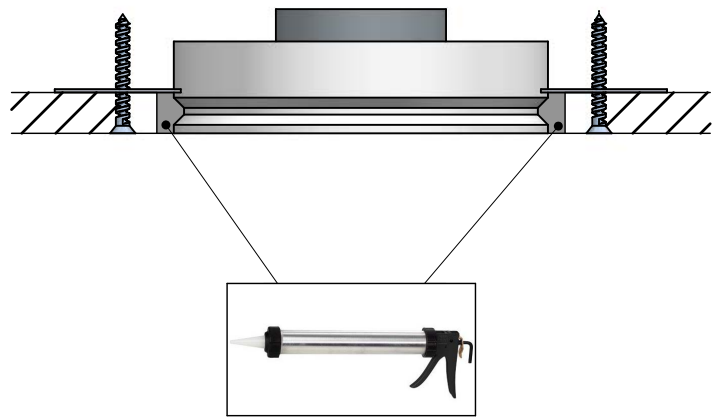
3B



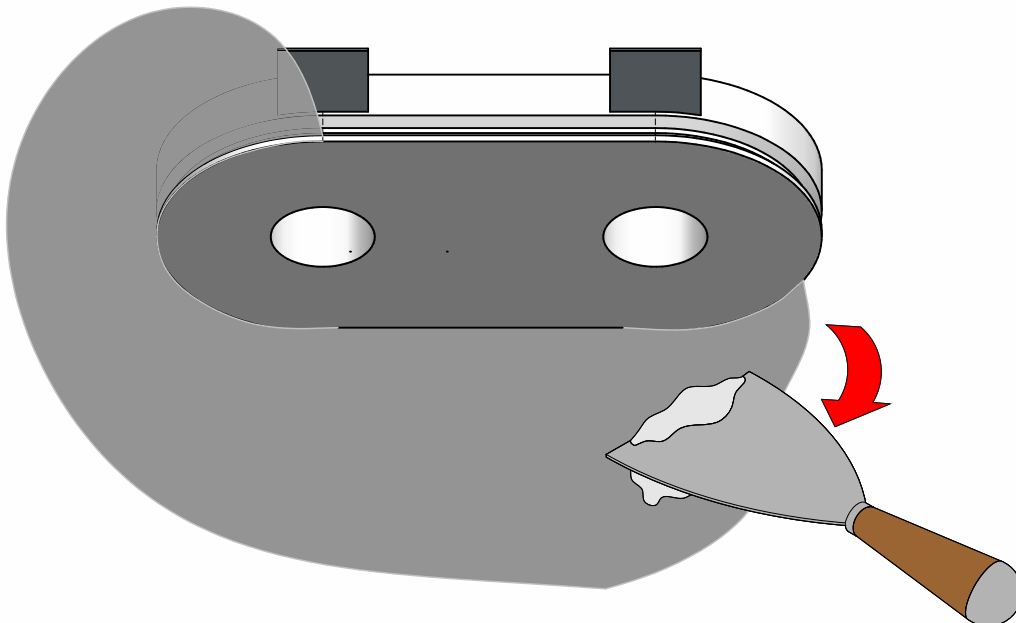
5B



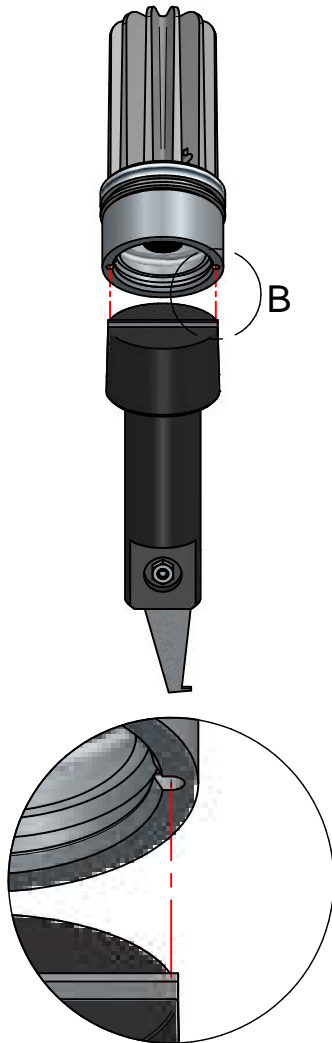
6B



7B

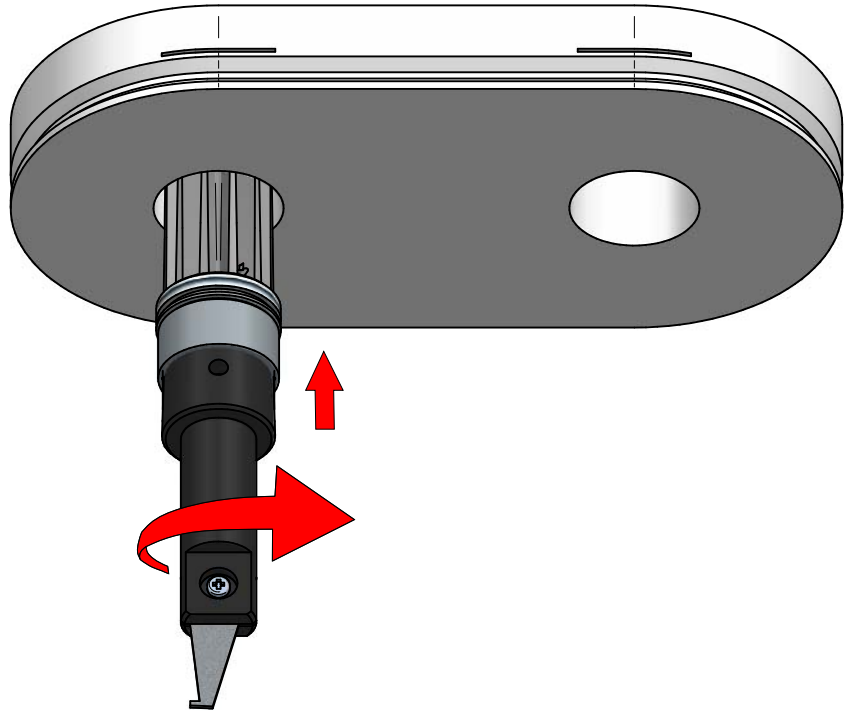


8B

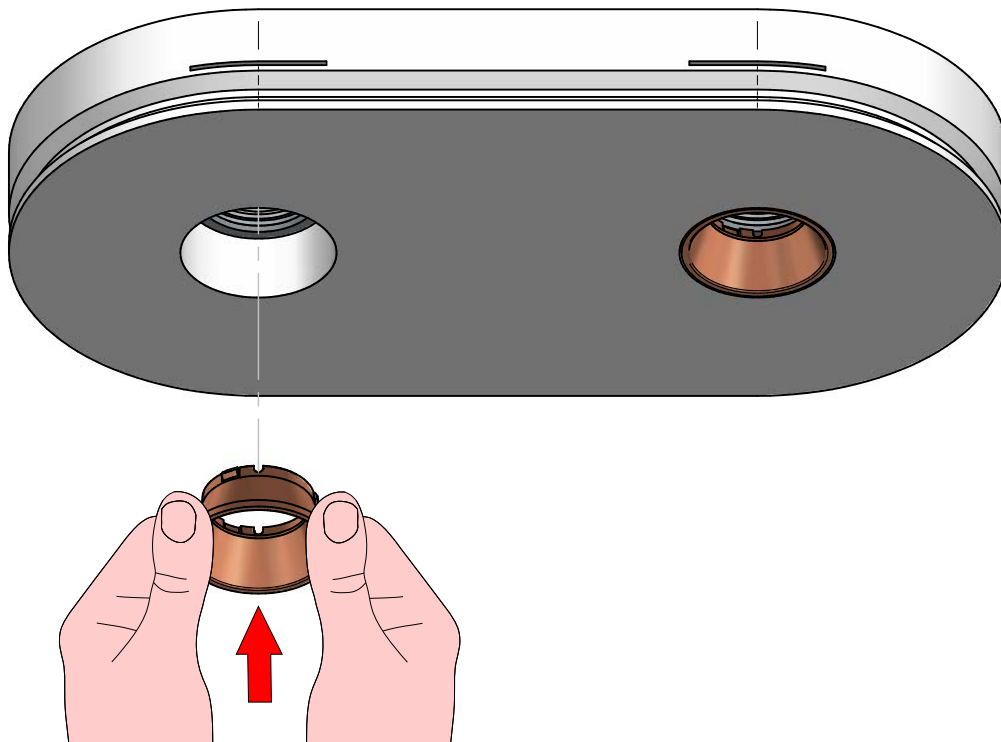


DETTAGLIO B

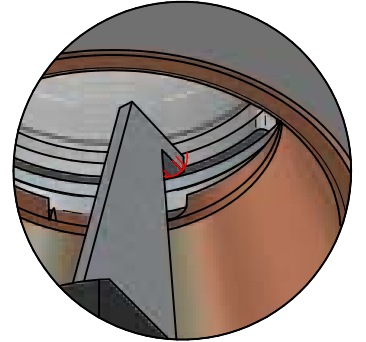
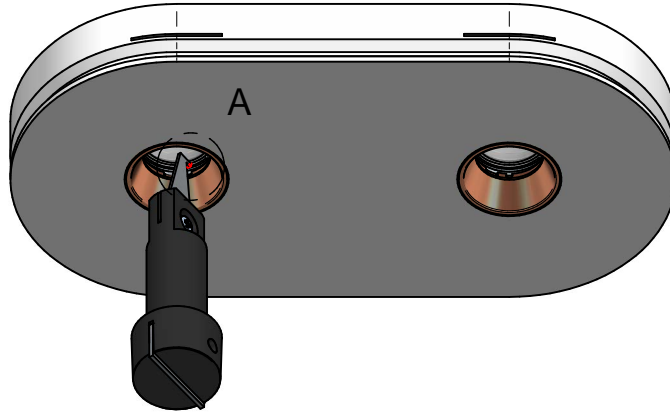
9B



10B

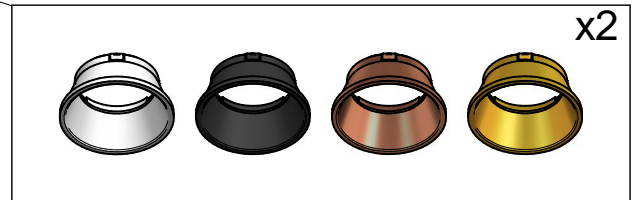
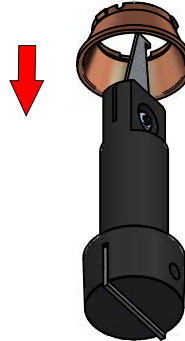
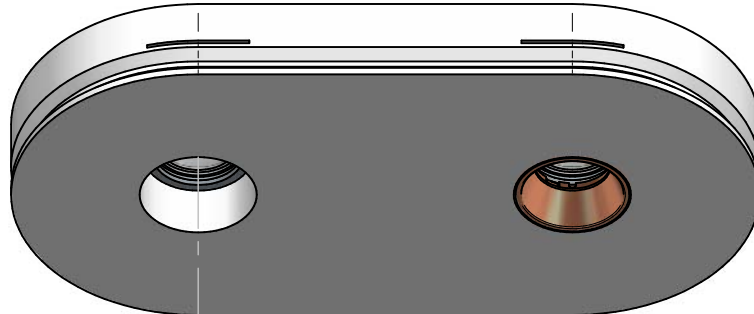


11B

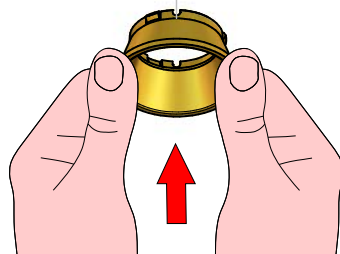
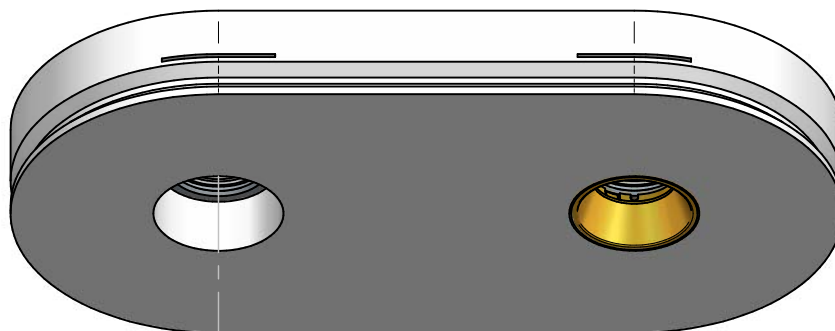


DETTAGLIO A

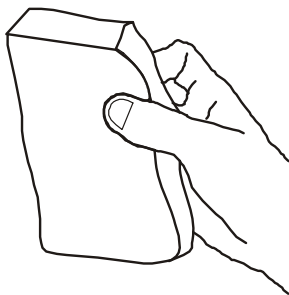
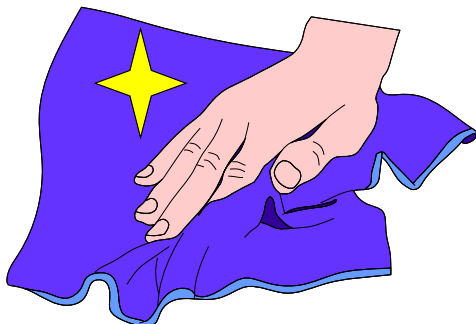
12B



13B



ISTRUZIONI PER IL LAVAGGIO DELL'APPARECCHIO D'ILLUMINAZIONE
LUMINAIRE CARE INSTRUCTIONS
ISTRUCCIONES PARA LIMPIAR LA LUMINARA
INSTRUCTIONS POUR LE LAVAGE DE L'APPAREIL D'ECLAIRAGE
ANLEITUNG ZUR REINIGUNG DES BELEUCHTUNGSGERATS



IT - ATTENZIONE!!!

Lavare la superficie del diffusore luce con panno umido, utilizzando solo acqua e sapone neutro.

EN - WARNING!!!

Wipe clean with a cloth damped in water with neutral detergent.

ES - ATENCION!!!

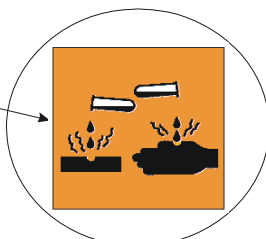
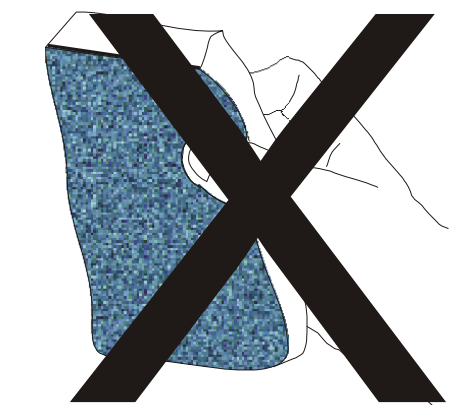
Limpie la superficie del difusor con un pano humedecido con agua y jabon neutro.

FR - ATTENTION!!!

Laver la surface du diffuseur de lumiere a l'aide d'un chiffon humide et en utilisant seulement de l'eau et du savon neutre.

DE - ACHTUNG!!!

Die oberfläche vom lampenschirm mit einem feuchten lappen reinigen. De lappen mit wasser und neutralseife befeuchten.



IT - ATTENZIONE!!!

Non utilizzare panni abrasivi e/o solventi.

EN - WARNING!!!

Avoiding the use of chemical solvents and/or abrasive cloths.

ES - ATENCION!!!

No utilizar panos abrasivos y solventes.

FR - ATTENTION!!!

Ne pas utiliser de chiffons abrasifs ou de dissolvants.

DE - ACHTUNG!!!

Abschleifende tuche und/oder losungsmittel nicht benutzen.