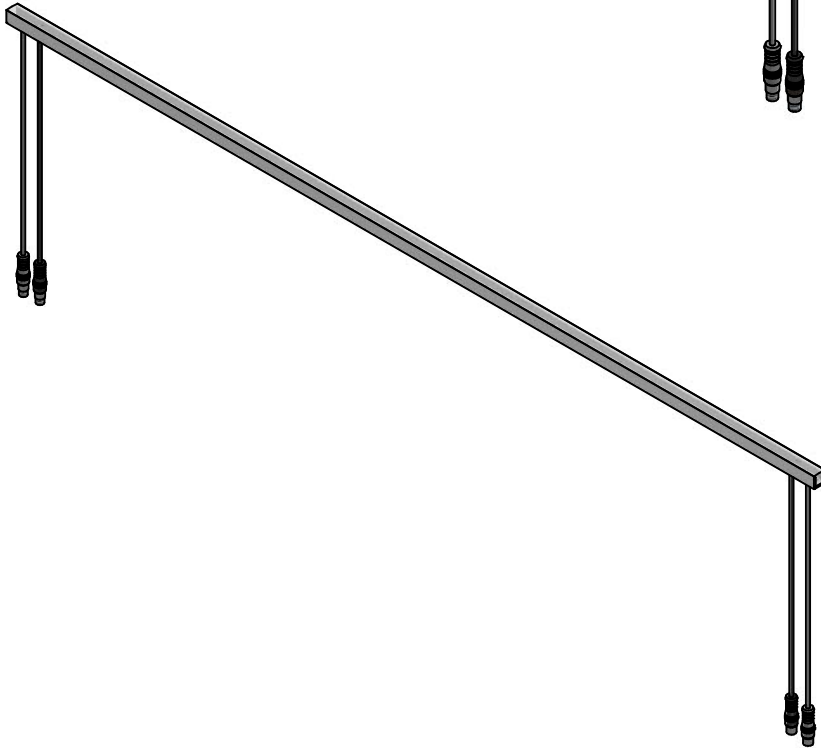
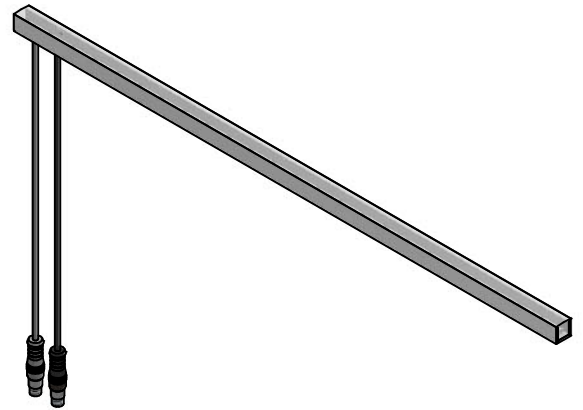
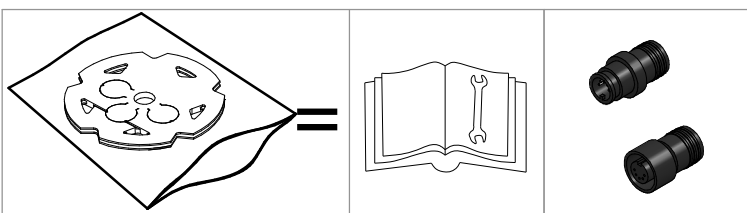
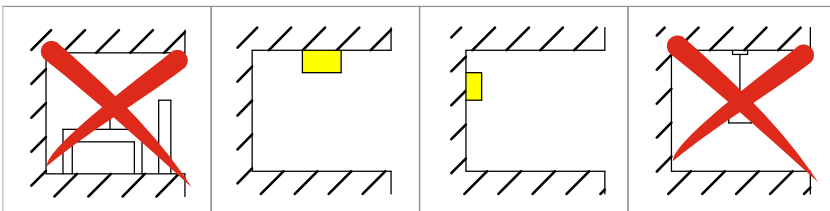
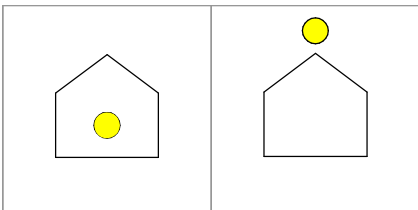


80406

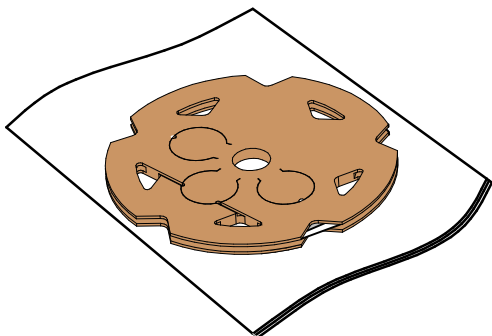


80407

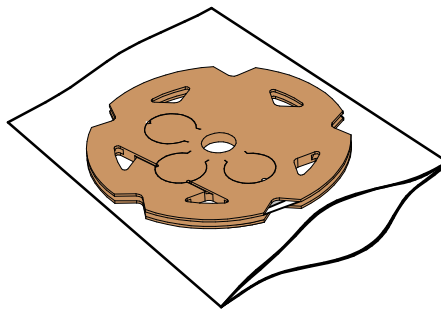
80408



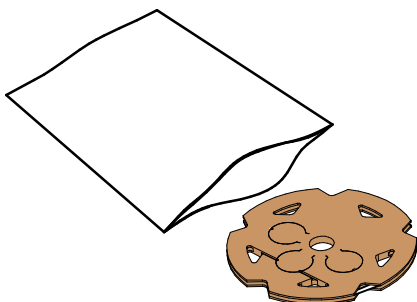
1



2



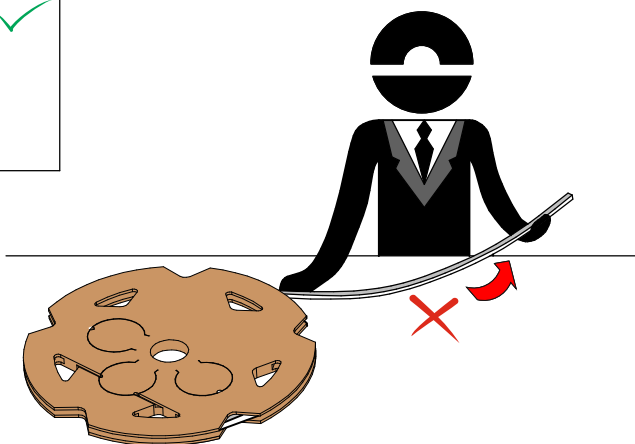
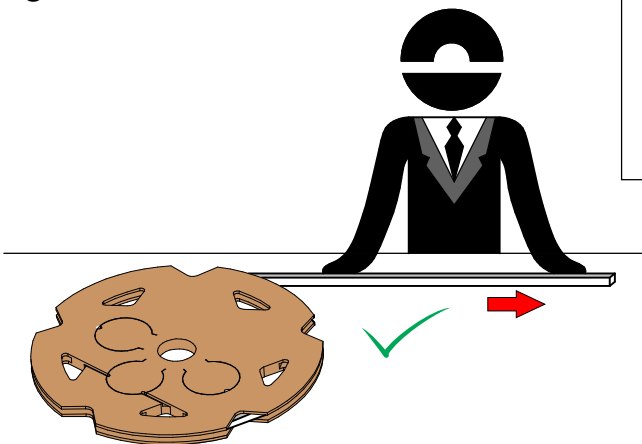
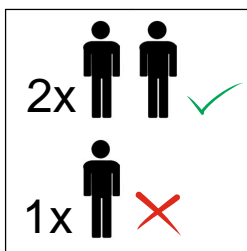
3



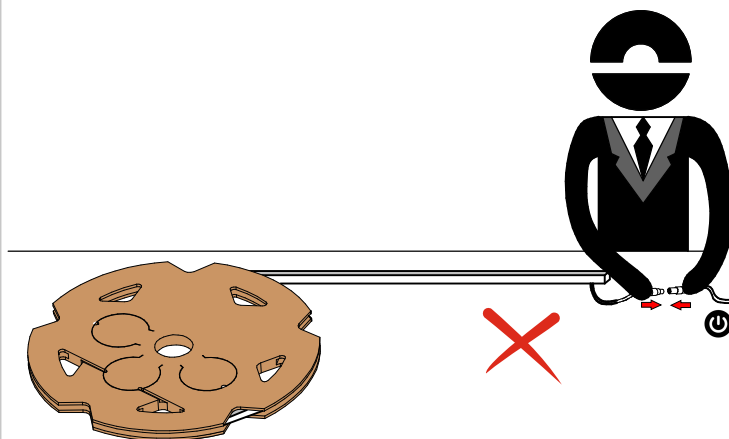
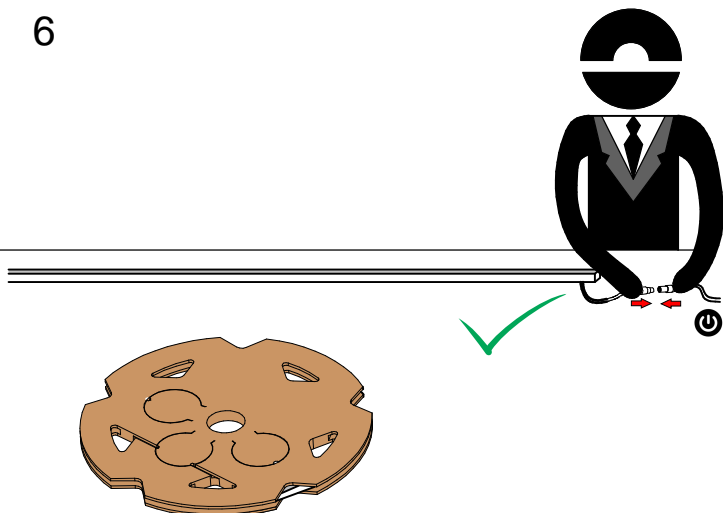
4



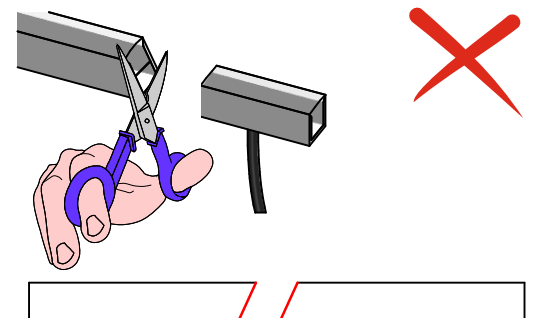
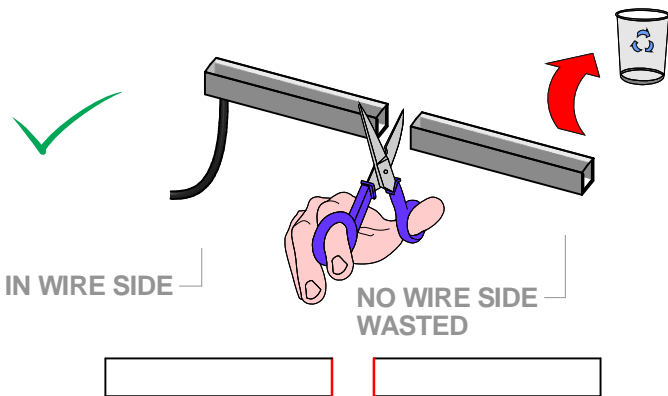
5



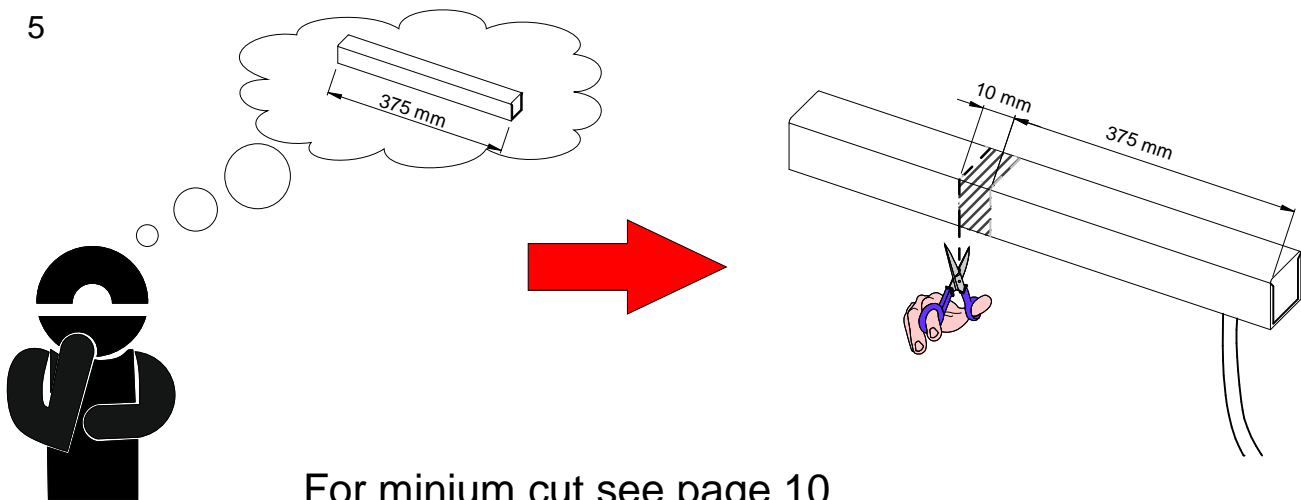
6



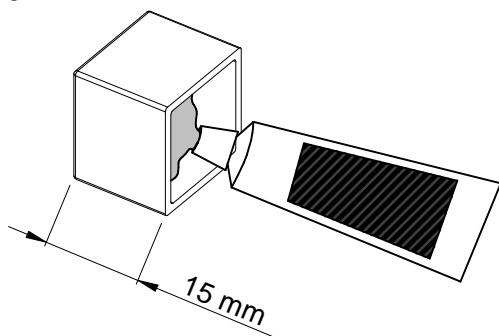
HOW TO CUT THE 0.5M STRIP



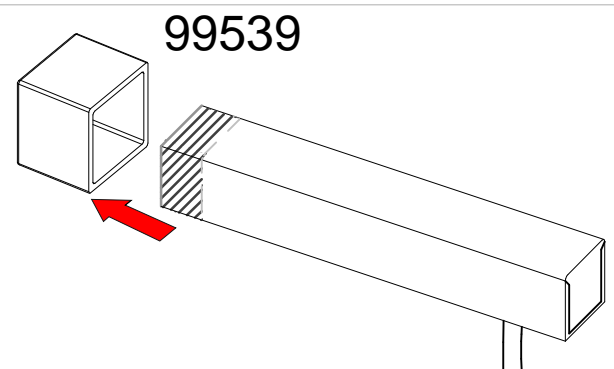
5



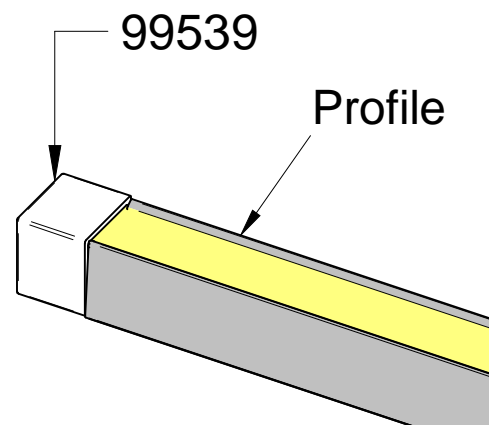
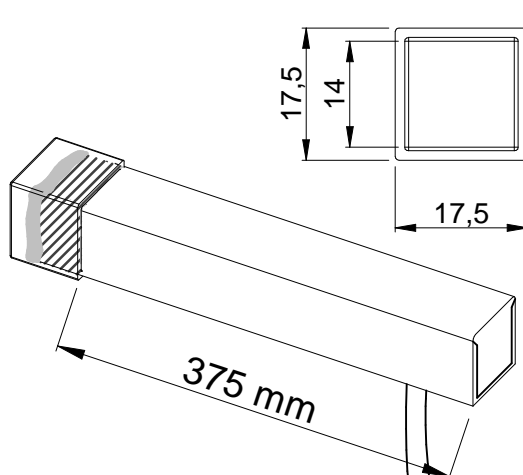
6



7

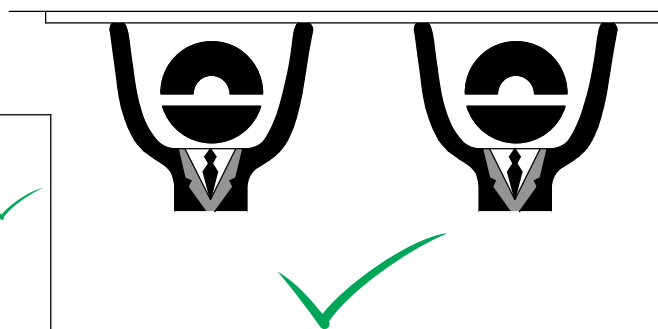
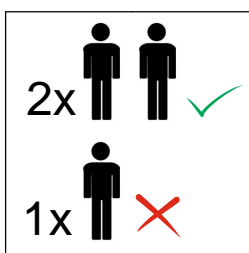
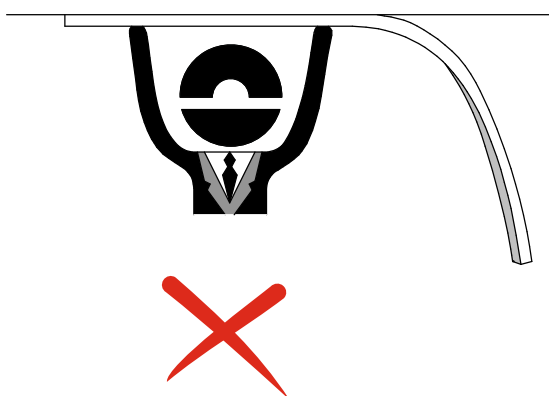
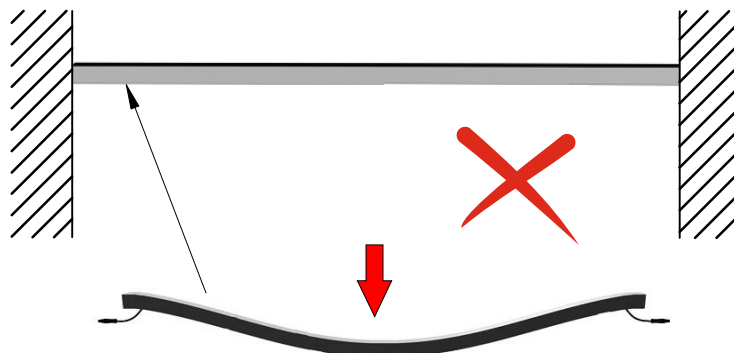
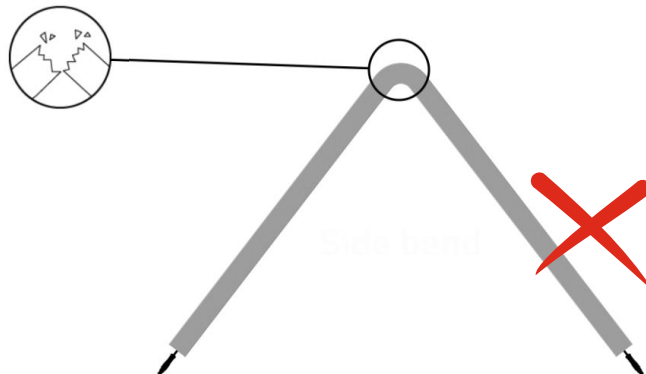
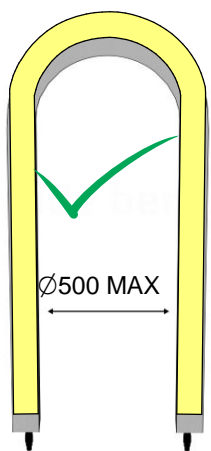


8

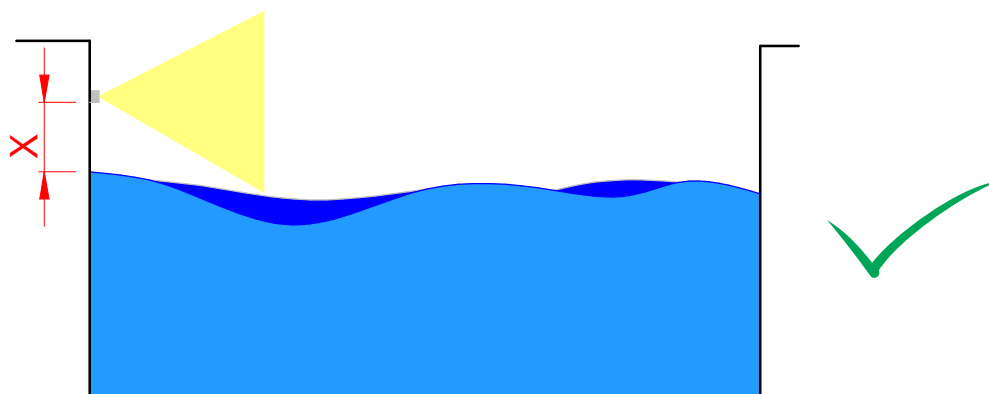


WARNINGS:

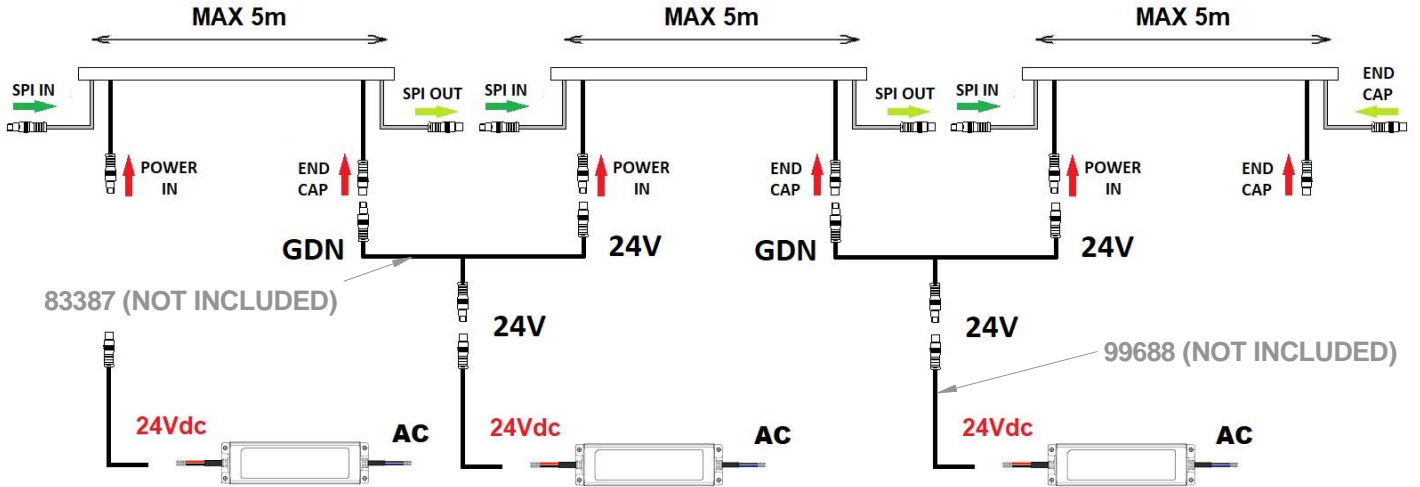
- The external flexible cable or cord of this luminaire cannot be replaced; if the cord is damaged, the luminaire shall be destroyed
- The light source of this luminaire is not replaceable; when the light source reaches its end of life, the whole luminaire shall be replaced.



X > 500 mm



**WIRING WITH CONTROLLER 82852: 1 UNIVERSE DMX ON 1 LAN PORT
 MAX 15M STRIP**

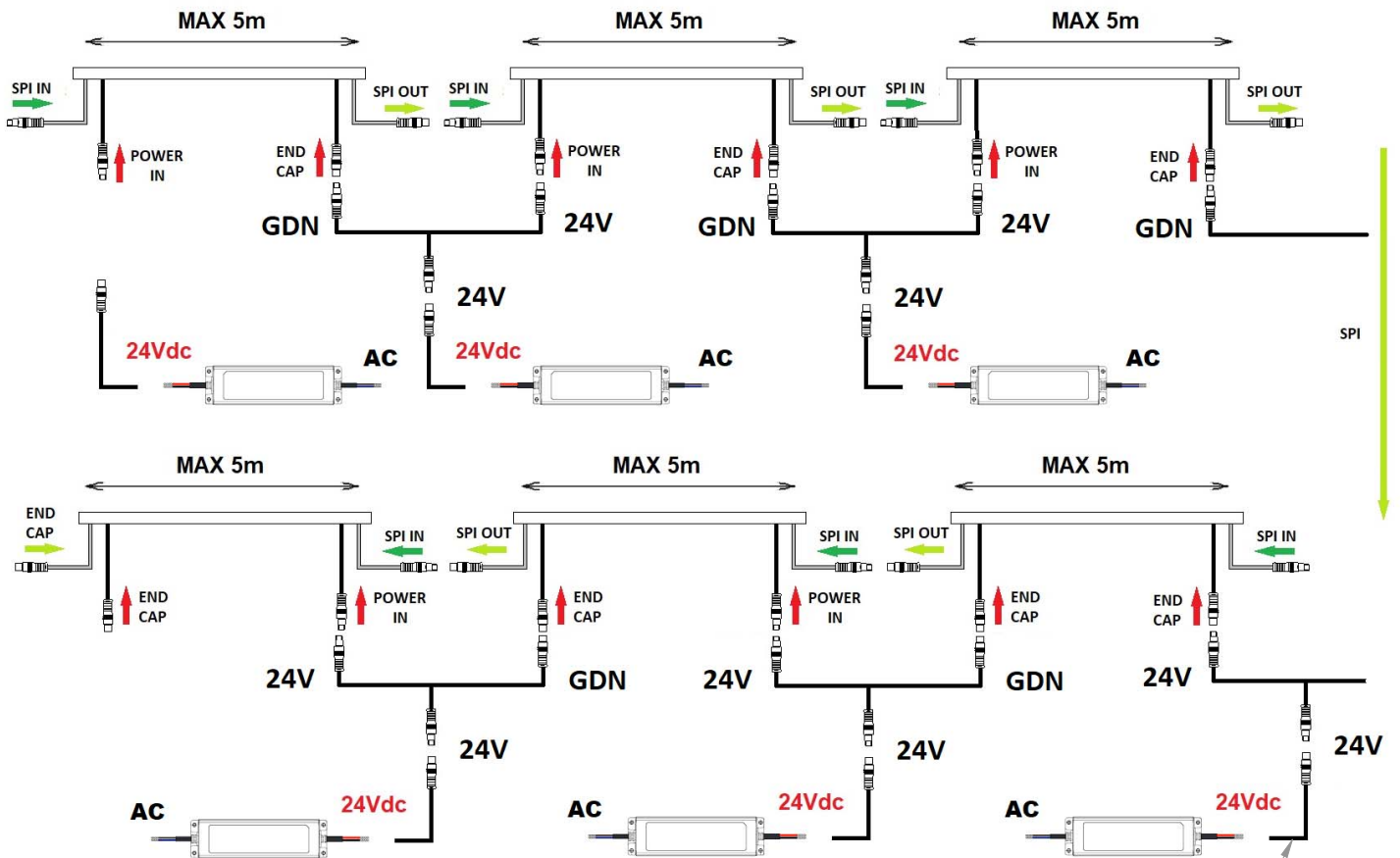


CHOOSE THE DRIVER BASED ON STRIP MAX CONSUMPTION (13W PER METRE)

MAX DISTANCE DRIVER-STRIP 5M

POWER AND SIGNAL CABLE END CAPS ARE INCLUDED

**WIRING WITH CONTROLLER 82853: 2 UNIVERSE DMX ON 1 LAN PORT
 MAX 30M STRIP**



CHOOSE THE DRIVER BASED ON STRIP MAX CONSUMPTION (13W PER METRE)

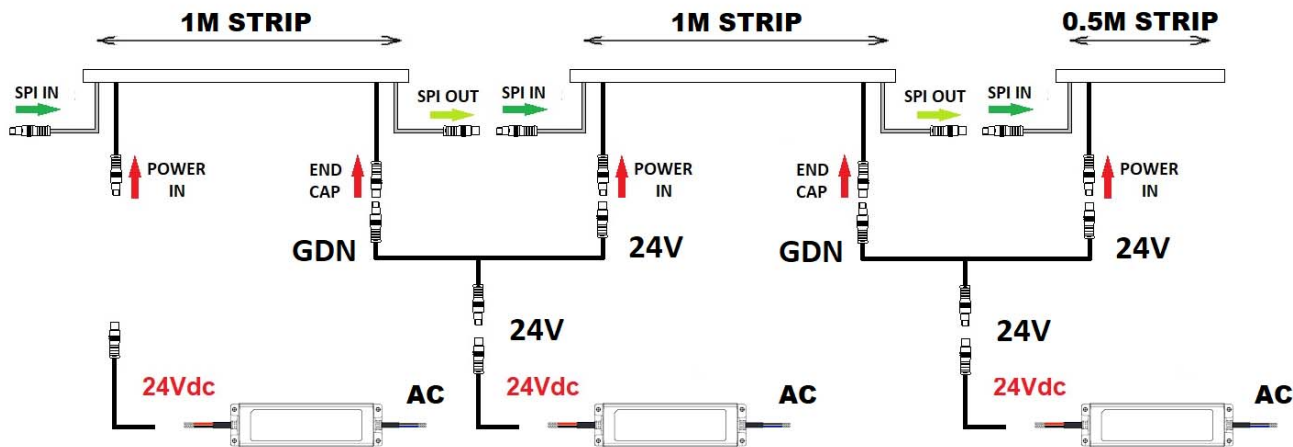
MAX DISTANCE DRIVER-STRIP 5M

POWER AND SIGNAL CABLE END CAPS ARE INCLUDED

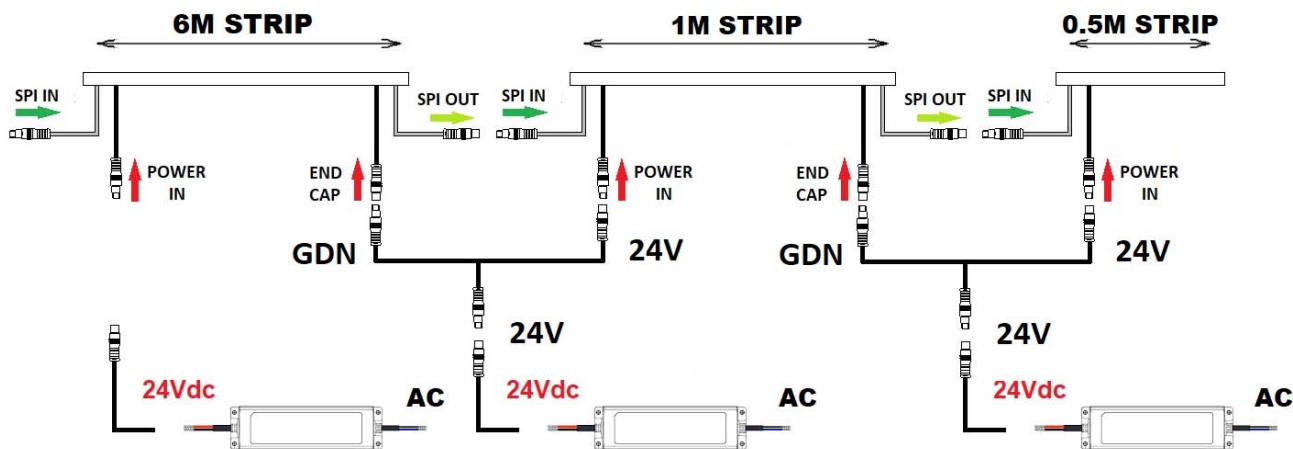
99688 (NOT INCLUDED)

SPECIAL LENGTHS EXAMPLES

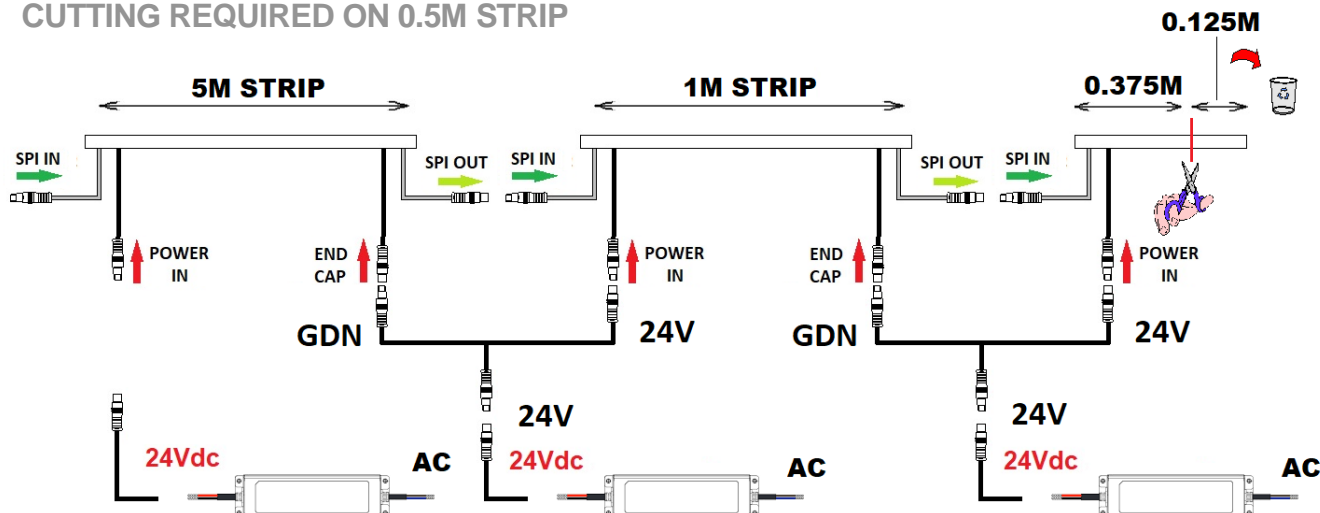
EXAMPLE 1: 2.5M
ALL STANDARD STRIPS (1M + 1M + 1M)
NO CUTTING REQUIRED

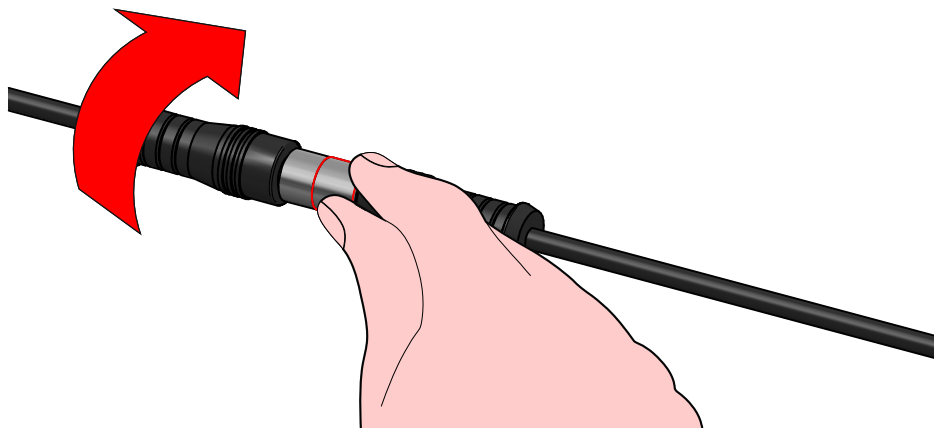
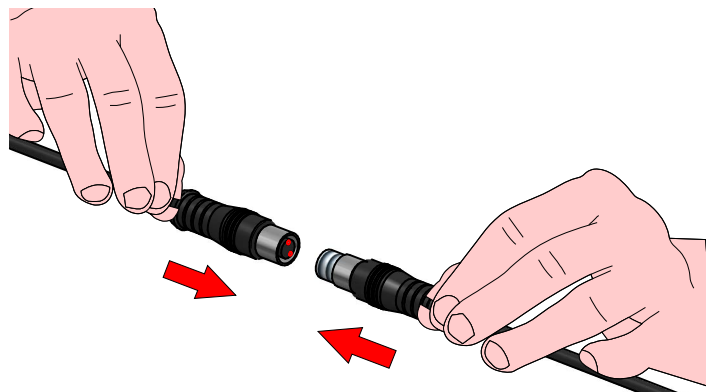
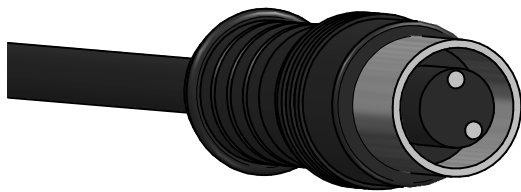
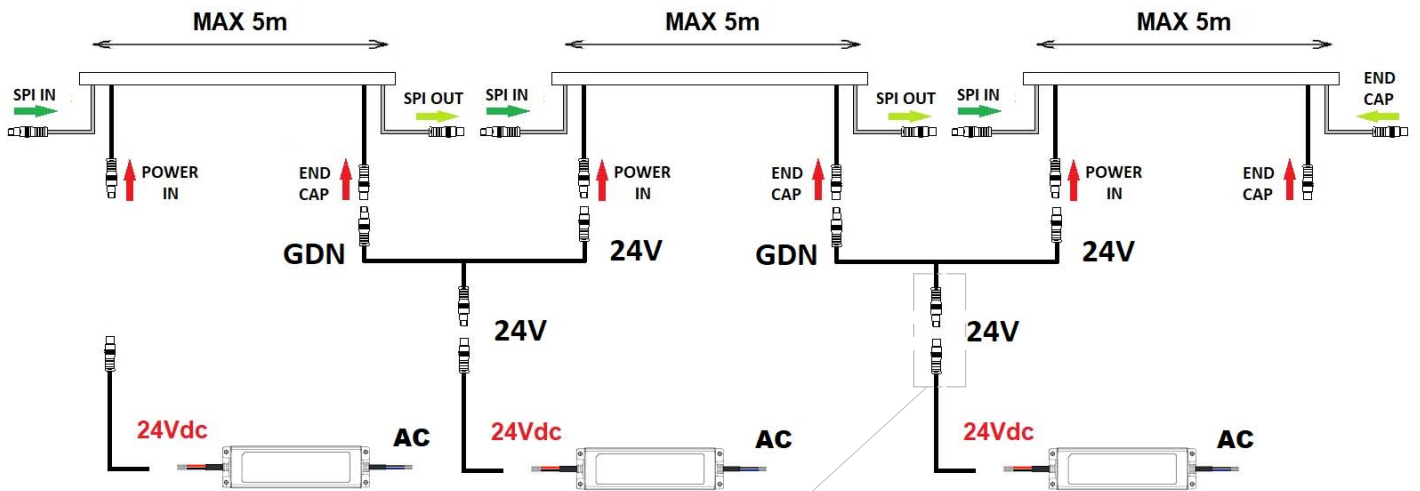


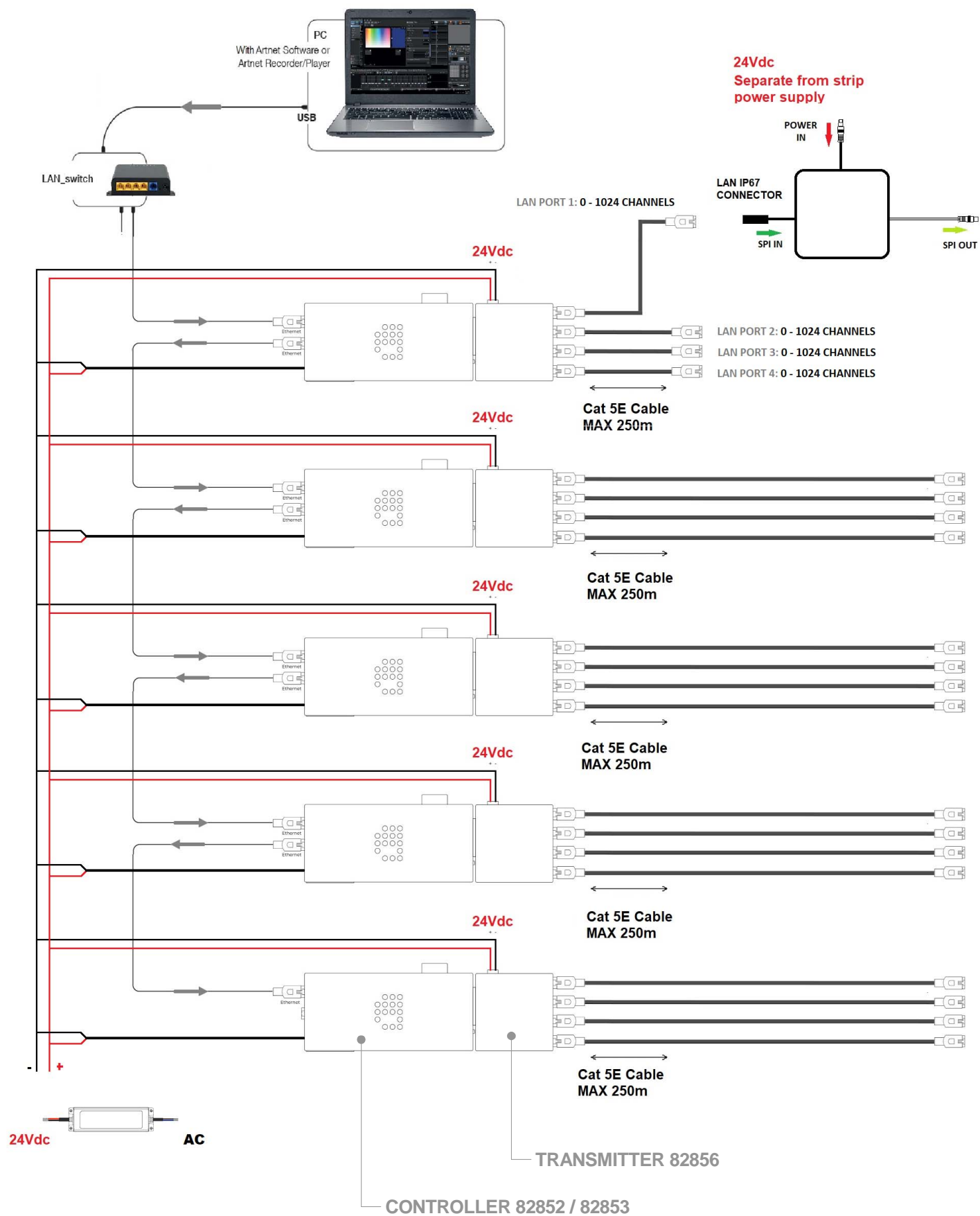
EXAMPLE 1: 6.5M
ALL STANDARD STRIPS (5M + 1M + 0.5M)
NO CUTTING REQUIRED



EXAMPLE 1: 6.375M
ALL STANDARD STRIPS (5M + 1M + 0.5M)
CUTTING REQUIRED ON 0.5M STRIP







CHOOSE THE DRIVER BASED ON CONTROLLER MAX CONSUMPTION (5W PER 1 CONTROLLER)

FOR TRANSMITTER - RECEIVER CONNECTION USE STANDARD CABLE UTP CAT 5E (NOT INCLUDED)

ACCESSORIES NOT INCLUDED

**CONTROLLERS: 82852 PIXEL CONTROLLER 4 UNIVERSES (4 LAN PORTS)
82853 PIXEL CONTROLLER 8 UNIVERSES (4 LAN PORTS)**

TRANSMITTER: 82856

RECEIVER BOX: 99519

PROFILES: CHECK CURRENT RUBBER CATALOGUE

CABLE POWER EXTENSIONS: CHECK CURRENT RUBBER CATALOGUE

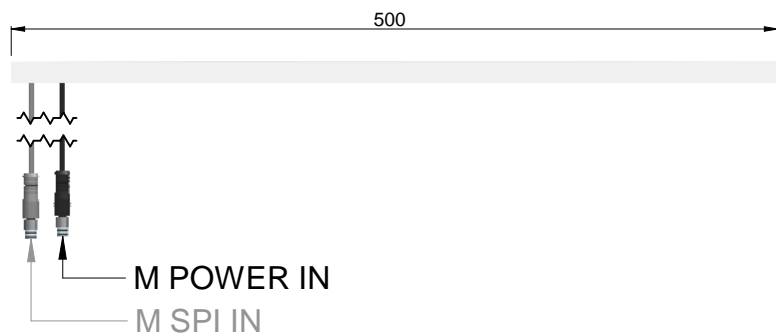
CABLE SPI EXTENSIONS: NO SPI EXTENSIONS REQUIRED

SEALING KIT: CHECK CURRENT RUBBER CATALOGUE

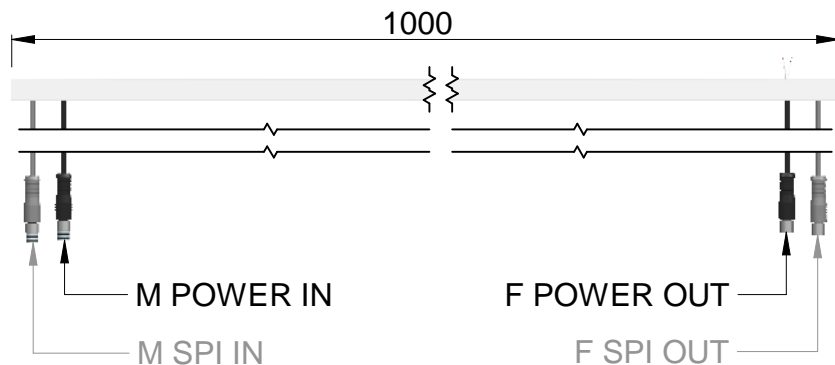
T CABLE: 83387

ACCESSORIES INCLUDED

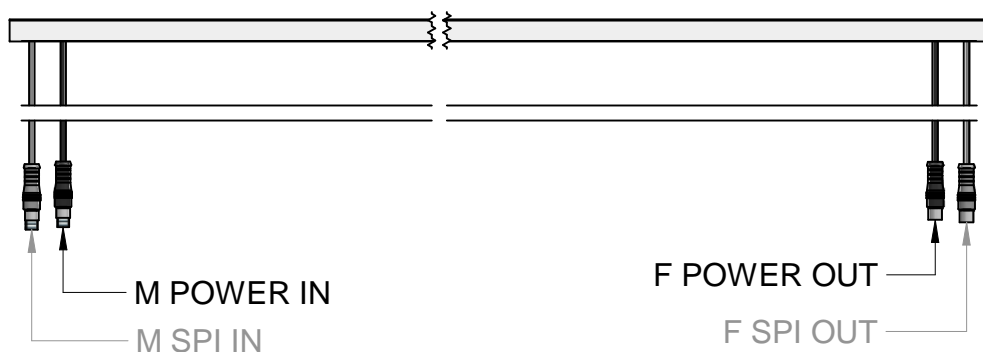
END CAP FOR POWER AND SIGNAL CABLES



80406

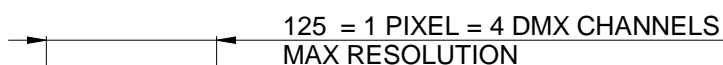


80407



80408

MAX RESOLUTION: 1 PIXEL = 4 DMX CHANNELS (R+G+B+W)

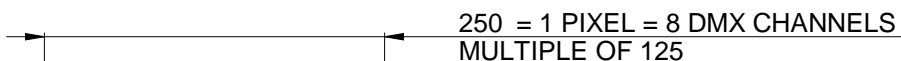


Minium cut 125mm

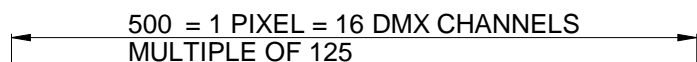


OTHER RESOLUTION: MORE DMX CHANNELS REQUIRED

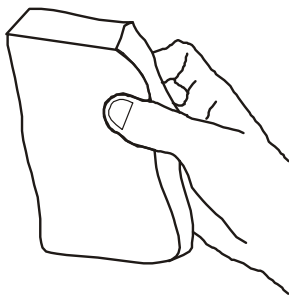
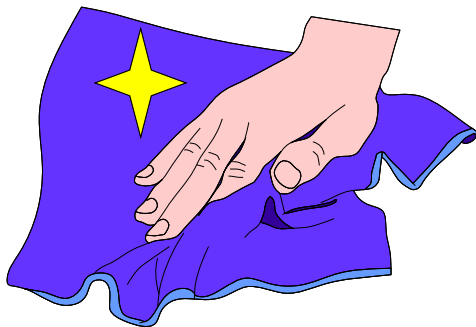
Minium cut 250mm



Minium cut 500mm



ISTRUZIONI PER IL LAVAGGIO DELL'APPARECCHIO D'ILLUMINAZIONE
LUMINAIRE CARE INSTRUCTIONS
ISTRUCCIONES PARA LIMPIAR LA LUMINARA
INSTRUCTIONS POUR LE LAVAGE DE L'APPAREIL D'ECLAIRAGE
ANLEITUNG ZUR REINIGUNG DES BELEUCHTUNGSGERATS



IT - ATTENZIONE!!!

Lavare la superficie del diffusore luce con panno umido, utilizzando solo acqua e sapone neutro.

EN - WARNING!!!

Wipe clean with a cloth dampened in water with neutral detergent.

ES - ATENCION!!!

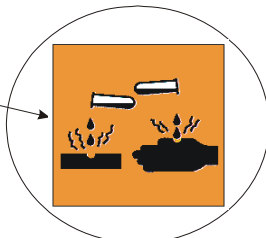
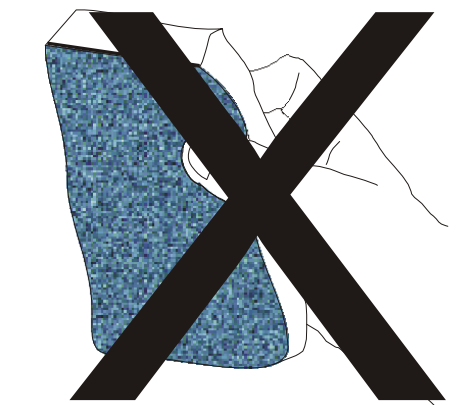
Limpie la superficie del difusor con un pano humedecido con agua y jabon neutro.

FR - ATTENTION!!!

Laver la surface du diffuseur de lumiere a l'aide d'un chiffon humide et en utilisant seulement de l'eau et du savon neutre.

DE - ACHTUNG!!!

Die oberfläche vom lampenschirm mit einem feuchten lappen reinigen. De lappen mit wasser und neutralseife befeuchten.



IT - ATTENZIONE!!!

Non utilizzare panni abrasivi e/o solventi.

EN - WARNING!!!

Avoiding the use of chemical solvents and/or abrasive cloths.

ES - ATENCION!!!

No utilizar panos abrasivos y solventes.

FR - ATTENTION!!!

Ne pas utiliser de chiffons abrasifs ou de dissolvants.

DE - ACHTUNG!!!

Abschleifende tuche und/oder losungsmittel nicht benutzen.