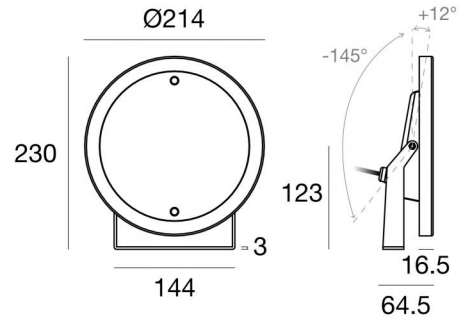




Immersion | 9 x powerLEDs 25 W DC 700 mA
 RGBW - 3000
84030V40



Données techniques

| | |
|--|----------------------|
| Typologie | Surface |
| Position d'installation | Mur - Plafond - Sol |
| Environnement d'installation | Extérieur |
| Source lumineuse | LED |
| Circuit structure | powerLEDs |
| Optique | Medium Wide Flood |
| Light emission direction | frontal |
| Puissance nominale | 25 W DC |
| Plage de tension d'entrée | 700mA |
| Température de couleur / Tone | RGBW - 3000 K |
| C.C. / V.C. | CC |
| Classe d'isolation | 3 |
| IP | IP68 |
| Profondeur d'installation maximale | 25 m |
| Limitation de l'installation | Seulement sous l'eau |
| IK | IK10 |
| Essai au fil incandescent | 850° |
| Montage direct sur des surfaces normalement inflammables | Oui |
| CE | Oui |
| Driver inclus | Non |
| Article à intensité variable | Oui |
| Orientable | Orientable |
| angle total (plan vertical) | 157 ° |
| Basculement | Non |
| Piétinable | Non |
| Carrossable | Non |
| Câble inclus | Oui |
| Longueur du câble | 5 m |
| Revêtement en résine | Oui |
| Type d'émission lumineuse | Émission simple |
| Poids net | 2.86 Kg |
| Protection contre les décharges électrostatiques | Non |
| Protection contre les surtensions | Non |
| Caractéristiques technologiques du produit | Acquastop |

Finition corps

| | |
|----------|-----------------|
| Matériau | Acier AISI 316L |
| Couleur | acier |


Finition diffuseur


| | |
|-------------|----------------------------|
| Matériau | Verre extra clair - trempé |
| Couleur | transparent |
| Fabrication | Séigraphie |

Finition support de fixation

| | |
|-------------|----------------------|
| Matériau | Acier inoxydable 316 |
| Couleur | acier |
| Fabrication | Brossage |

Électronique

 **83010**
 On/Off Driver 90~264V AC / 127~370V DC 60 W (1 - 2 art.)

 **83187**
 Push and Simply Dim - DMX-RDM Multi Channel 4ch. 10.8~52.8V DC (1 art.)

Lumen RGBW

| N. Led | Rouge | Vert | Bleu | blanc |
|--------|--------|--------|--------|--------|
| 9 | 261 lm | 675 lm | 216 lm | 729 lm |



Immersion | 9 x powerLEDs 25 W DC 700 mA | RGBW - 3000
84030V40



Température standard de l'environnement de -20 / +50°C

Single emission submerged for outdoor application. The RGBW - 3000 K LED light source with a medium wide flood light distribution is composed of 9 powered LEDs with CCT of RGB-W 3000 K.

The device body is made of aisi 316l steel and features a steel finish; the diffuser is made of extra clear glass - tempered with a silk-screening treatment. The ingress protection degree is IP68; the total weight is of 2.86 kg. The power supply driver is not provided and is to be ordered separately.

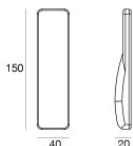
The total absorbed power is 25 W. The power supply cable is included and features a 5 m length.

The device features protection class III and can be wall lights, ceiling or floor-mounted.

Compliant with the EN 60598-1 standard and its specific provisions.



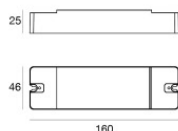
Nautilus_RP | Submerged | Accessories
84030V40



Remote RF

Code

C-W600001



Variateur
RF Remote controller

Code

C-E700003