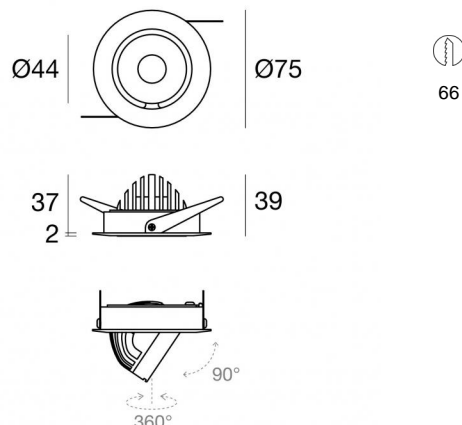




Downlights | 1 x powerLED 4 W DC 350 mA | CRI 90
82739N85





Données techniques	
Position d'installation	Plafond
Environnement d'installation	Intérieur
Source lumineuse	LED
Circuit structure	powerLED
Optique	Adjustable Focus
Light emission direction	downward
Puissance nominale	4 W DC
Flux lumineux (source)	449 lm
Plage de tension d'entrée	350mA
Température de couleur / Tone	4000 K
Indice de rendu chromatique	90 Ra
C.C. / V.C.	CC
Classe d'isolation	3
IP	IP20
Essai au fil incandescent	850°
Montage direct sur des surfaces normalement inflammables	Oui
CE	Oui
Driver inclus	Non
Article à intensité variable	DALI - 1-10V
Orientable	Estraible
angle total (plan vertical)	90 °
angle total (plan horizontal)	360 °
Basculement	Non
Piétinable	Non
Carrossable	Non
Câble inclus	Oui
Longueur du câble	0.2 m
Revêtement en résine	Non
Type d'émission lumineuse	Émission simple
Poids net	0.1 Kg
Protection contre les décharges électrostatiques	Non
Protection contre les surtensions	Non


Finition corps

Matériau	Aluminium moulé sous pression EN AB - 46100
Couleur	Blanc
Fabrication	Revêtement en poudre

Électronique

 89145
On/Off Driver 198~264V AC / 180~275V DC (1 art.)

 99375
On/Off Driver 198~264V AC (2 - 3 art.)

 C-E100010
1-10V - 0-10V Controller (1 art.)

 C-E100011
Push and Simply Dim - DALI-2 Controller (1 art.)

Cables Electrification

Cable connector No

Downlights | 1 x powerLED 4 W DC 350 mA | CRI 90 | Angle optique maximal
82739N85

Single emission recessed downlights for indoor application. The natural white LED light source with a adjustable focus light distribution is composed of 1 powerled LEDs with CCT of 4000 K and a CRI 90; the source luminous flux is 449 lm, with a 112.3 lm/W nominal luminous efficacy.

The device body is made of die-cast aluminium en ab - 46100 and features a white finish, processed by means of powder coating. The ingress protection degree is IP20; the total weight is of 0.1 kg. The power supply driver is not provided and is to be ordered separately.

The total absorbed power is 4 W. The power supply cable is included and features a 0.2 m length.

The device features protection class III and can be ceiling-mounted, with a 66 mm diameter hole (in plasterboard).

Compliant with the EN 60598-1 standard and its specific provisions.

Classe d'efficacité énergétique

Ce produit contient une source lumineuse de classe d'efficacité énergétique F.

Caractéristiques Techniques de l'éclairage

Light Output Ratio (LOR)	22 %
Flux lumineux (source)	449 lm
Flux lumineux du luminaire	103 lm
Consumption	4 W
Efficacité lumineuse du luminaire	25 lm/W
Température de couleur	4000 K
Standards de Concordance de Couleur	3 Step MacAdam
Indice de rendu chromatique	90 Ra
Black Body Locus	On
Température standard de l'environnement de	-20 / +50°C
Température typique sur le verre	40°C

LED Life / Failure Ratio

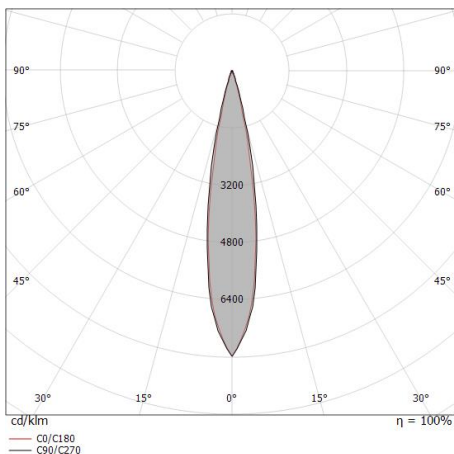
L70 B10 C0 247450h (at Tj 60 Ta 25)

UGR

UGR axial	18
UGR transversal	17.9
X=4H Y=8H	S=0.25H
Reflection factor	70/50/20

OPTICAL

Optique C0/C180	18°
Light distribution simmetry	Symmetrical



Distance [m]	Cone diameter [m]	illuminance [lx]
0.5	0.17 0.16	E(0°) 3277 E(C90) 1573 E(C0) 1582
1.0	0.34 0.32	E(0°) 819 E(C90) 393 E(C0) 395
1.5	0.51 0.48	E(0°) 364 E(C90) 175 E(C0) 176
2.0	0.68 0.64	E(0°) 205 E(C90) 98 E(C0) 99
2.5	0.85 0.80	E(0°) 131 E(C90) 63 E(C0) 63
3.0	1.03 0.96	E(0°) 91 E(C90) 44 E(C0) 44

— C0/C180 (Half-peak divergence: 18.2°)
 — C90/C270 (Half-peak divergence: 19.4°)

COLOR VECTOR GRAPHIC



Downlights | 1 x powerLED 4 W DC 350 mA | CRI 90 | Angle optique minimum

82739N85

Single emission recessed downlights for indoor application. The natural white LED light source with a adjustable focus light distribution is composed of 1 powerled LEDs with CCT of 4000 K and a CRI 90; the source luminous flux is 449 lm, with a 112.3 lm/W nominal luminous efficacy.

The device body is made of die-cast aluminium en ab - 46100 and features a white finish, processed by means of powder coating. The ingress protection degree is IP20; the total weight is of 0.1 kg. The power supply driver is not provided and is to be ordered separately.

The total absorbed power is 4 W. The power supply cable is included and features a 0.2 m length.

The device features protection class III and can be ceiling-mounted, with a 66 mm diameter hole (in plasterboard).

Compliant with the EN 60598-1 standard and its specific provisions.

Classe d'efficacité énergétique

Ce produit contient une source lumineuse de classe d'efficacité énergétique F.

Caractéristiques Techniques de l'éclairage

Light Output Ratio (LOR)	18 %
Flux lumineux (source)	449 lm
Flux lumineux du luminaire	81 lm
Consumption	4 W
Efficacité lumineuse du luminaire	20 lm/W
Température de couleur	4000 K
Standards de Concordance de Couleur	3 Step MacAdam
Indice de rendu chromatique	90 Ra
Black Body Locus	On
Température standard de l'environnement de	-20 / +50°C
Température typique sur le verre	40°C

LED Life / Failure Ratio

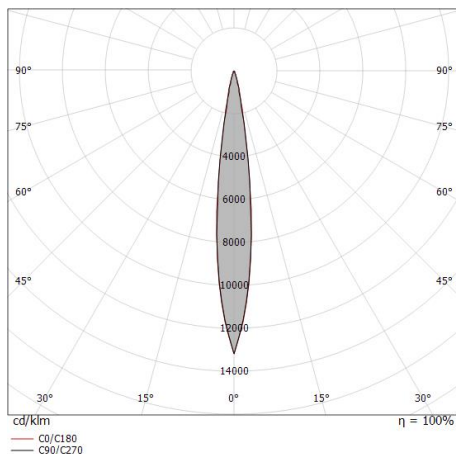
L70 B10 C0 247450h (at Tj 60 Ta 25)

UGR

UGR axial	18.4
UGR transversal	17.8
X=4H Y=8H	S=0.25H
Reflection factor	70/50/20

OPTICAL

Optique C0/C180	14°
Light distribution simmetry	Symmetrical



Distance [m]	Cone diameter [m]	illuminance [lx]
0.5	0.12 0.12	E(0°) 4259 E(C90) 6.8° 2110 E(C0) 6.9° 2111
1.0	0.24 0.24	E(0°) 1065 E(C90) 6.8° 527 E(C0) 6.9° 528
1.5	0.36 0.36	E(0°) 473 E(C90) 6.8° 234 E(C0) 6.9° 235
2.0	0.48 0.48	E(0°) 266 E(C90) 6.8° 132 E(C0) 6.9° 132
2.5	0.60 0.61	E(0°) 170 E(C90) 6.8° 84 E(C0) 6.9° 84
3.0	0.72 0.73	E(0°) 118 E(C90) 6.8° 59 E(C0) 6.9° 59

— C0/C180 (Half-peak divergence: 13.8°)
— C90/C270 (Half-peak divergence: 13.6°)

COLOR VECTOR GRAPHIC

