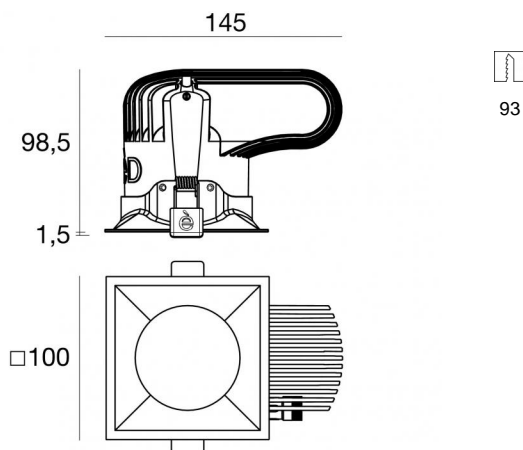


Downlights | 1 arrayLED 25 W DC 700 mA | CRI 90
80840N30



93

Données techniques	
Position d'installation	Plafond
Environnement d'installation	Intérieur
Source lumineuse	LED
Circuit structure	arrayLED
Optique	30°
Light emission direction	downward
Puissance nominale	25 W DC
Flux lumineux (source)	4192 lm
Plage de tension d'entrée	700mA
Température de couleur / Tone	4000 K
Indice de rendu chromatique	90 Ra
C.C. / V.C.	CC
Classe d'isolation	3
IP	IP44
IP bloc optique	IP65
IK	IK08
Essai au fil incandescent	850°
Montage direct sur des surfaces normalement inflammables	Oui
CE	Oui
Driver inclus	Non
Article à intensité variable	DALI - 1-10V
Orientable	Non
Basculement	Non
Piétinable	Non
Carrossable	Non
Câble inclus	Oui
Longueur du câble	0.300 m
Revêtement en résine	Non
Type d'émission lumineuse	Émission simple
Poids net	0.68 Kg
Protection contre les décharges électrostatiques	Non
Protection contre les surtensions	Non
Technologie optique	Honey comb

Finition corps	
Matériau	Aluminium moulé sous pression EN AB - 46100
Couleur	Noir
Fabrication	Revêtement en poudre

Finition diffuseur	
Matériau	Polycarbonate résistant aux UV
Couleur	transparent

Finition radiateur	
Matériau	Aluminium moulé sous pression EN AB - 46100
Couleur	Aluminium
Fabrication	Brillantage

Électronique



99112
On/Off Driver 198-264V AC



83066
1-10V - Push and Simply Dim - DALI-2 Controller



C-E100031
DALI - Push and Simply Dim Multi Power 198-264V AC / 180-275V DC

Cables Electrification	
Cable connector	Male Easy plug
IP (locked condition)	66
Cable connector	Female Easy plug



Downlights | 1 arrayLED 25 W DC 700 mA | CRI 90 80840N30

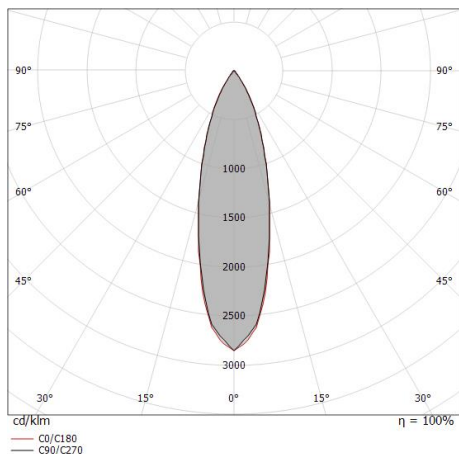
Single emission recessed downlights for indoor application. The natural white LED light source is composed of 1 arrayLEDs with CCT of 4000 K and a CRI 90; the source luminous flux is 4192 lm, with a 167.7 lm/W nominal luminous efficacy.

The device body is made of die-cast aluminium en ab - 46100 and features a black finish, processed by means of powder coating; the diffuser is made of uv resistant polycarbonate. The ingress protection degree is IP44; the total weight is of 0.68 kg. The power supply driver is not provided and is to be ordered separately.

The total absorbed power is 25 W. The power supply cable is included and features a 0.300 m length.

The device features protection class III and can be ceiling-mounted, with a 93 x 93 mm hole (in plasterboard).

Compliant with the EN 60598-1 standard and its specific provisions.



Distance [m]	Cone diameter [m]	illuminance [lx]
0.5	0.26 0.26	E(0°) 15409 E(C90) 14.6° 7003 E(C0) 14.7° 6975
1.0	0.52 0.52	E(0°) 3852 E(C90) 14.6° 1751 E(C0) 14.7° 1744
1.5	0.78 0.79	E(0°) 1712 E(C90) 14.6° 778 E(C0) 14.7° 775
2.0	1.04 1.05	E(0°) 963 E(C90) 14.6° 438 E(C0) 14.7° 436
2.5	1.30 1.31	E(0°) 616 E(C90) 14.6° 280 E(C0) 14.7° 279
3.0	1.56 1.57	E(0°) 428 E(C90) 14.6° 195 E(C0) 14.7° 194

— C0/C180 (Half-peak divergence: 29.4°)
— C90/C270 (Half-peak divergence: 29.2°)

Classe d'efficacité énergétique

Ce produit contient une source lumineuse de classe d'efficacité énergétique E.

Caractéristiques Techniques de l'éclairage

Light Output Ratio (LOR)	32 %
Flux lumineux (source)	4192 lm
Flux lumineux du luminaire	1353 lm
Consumption	18 W
Efficacité lumineuse du luminaire	75 lm/W
Température de couleur	4000 K
Standards de Concordance de Couleur	2 Step MacAdam
Indice de rendu chromatique	90 Ra

Température standard de l'environnement de -20 / +50°C

Température typique sur le verre 40°C

LED Life / Failure Ratio

L70 B10 C0 252000h (at Tj 65 Ta 25)

UGR

UGR transversal 13.4

UGR axial 13.6

X=4H | Y=8H S=0.25H

Reflection factor 70/50/20

OPTICAL

Optique C0/C180 29°

Light distribution simmetry Symmetrical

Downlights | 1 arrayLED 25 W DC 700 mA | CRI 90

80840N30

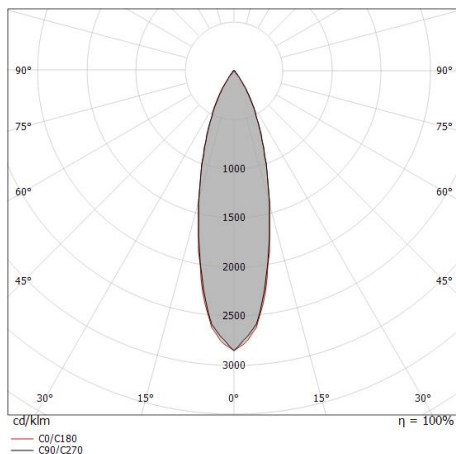
Single emission recessed downlights for indoor application. The natural white LED light source is composed of 1 arrayLEDs with CCT of 4000 K and a CRI 90; the source luminous flux is 4192 lm, with a 167.7 lm/W nominal luminous efficacy.

The device body is made of die-cast aluminium en ab - 46100 and features a black finish, processed by means of powder coating; the diffuser is made of uv resistant polycarbonate. The ingress protection degree is IP44; the total weight is of 0.68 kg. The power supply driver is not provided and is to be ordered separately.

The total absorbed power is 25 W. The power supply cable is included and features a 0.300 m length.

The device features protection class III and can be ceiling-mounted, with a 93 x 93 mm hole (in plasterboard).

Compliant with the EN 60598-1 standard and its specific provisions.



Distance [m]	Cone diameter [m]	illuminance [lx]
0.5	0.26 0.26	E(0°) 20628 E(C90) 14.6° 9375 E(C0) 14.7° 9337
1.0	0.52 0.52	E(0°) 5157 E(C90) 14.6° 2344 E(C0) 14.7° 2334
1.5	0.78 0.79	E(0°) 2292 E(C90) 14.6° 1042 E(C0) 14.7° 1037
2.0	1.04 1.05	E(0°) 1289 E(C90) 14.6° 586 E(C0) 14.7° 584
2.5	1.30 1.31	E(0°) 825 E(C90) 14.6° 375 E(C0) 14.7° 373
3.0	1.56 1.57	E(0°) 573 E(C90) 14.6° 260 E(C0) 14.7° 259

— C0/C180 (Half-peak divergence: 29.4°)
— C90/C270 (Half-peak divergence: 29.2°)

Classe d'efficacité énergétique

Ce produit contient une source lumineuse de classe d'efficacité énergétique E.

Caractéristiques Techniques de l'éclairage

Light Output Ratio (LOR)	43 %
Flux lumineux (source)	4192 lm
Flux lumineux du luminaire	1811 lm
Consumption	25 W
Efficacité lumineuse du luminaire	72 lm/W
Température de couleur	4000 K
Standards de Concordance de Couleur	2 Step MacAdam
Indice de rendu chromatique	90 Ra

Température standard de l'environnement de	-20 / +50°C
Température typique sur le verre	40°C

LED Life / Failure Ratio

L70 B10 C0 252000h (at Tj 65 Ta 25)

UGR

UGR transversal	14.5
UGR axial	14.6
X=4H Y=8H	S=0.25H
Reflection factor	70/50/20

OPTICAL

Optique C0/C180	29°
Light distribution simmetry	Symmetrical