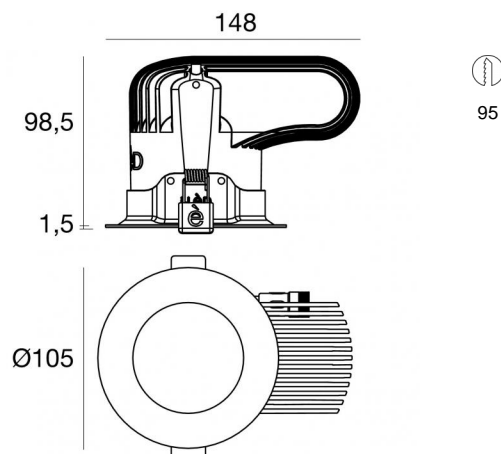




Downlights | 1 arrayLED 25 W DC 700 mA | CRI 90
80672M60




| Données techniques | |
|--|-----------------|
| Position d'installation | Plafond |
| Environnement d'installation | Intérieur |
| Source lumineuse | LED |
| Circuit structure | arrayLED |
| Optique | Wide Flood |
| Light emission direction | downward |
| Puissance nominale | 25 W DC |
| Flux lumineux (source) | 3967 lm |
| Plage de tension d'entrée | 700mA |
| Température de couleur / Tone | 2700 K |
| Indice de rendu chromatique | 90 Ra |
| C.C. / V.C. | CC |
| Classe d'isolation | 3 |
| IP | IP44 |
| IP bloc optique | IP65 |
| IK | IK08 |
| Essai au fil incandescent | 850° |
| Montage direct sur des surfaces normalement inflammables | Oui |
| CE | Oui |
| Driver inclus | Non |
| Article à intensité variable | DALI - 1-10V |
| Orientable | Non |
| Basculement | Non |
| Piétinable | Non |
| Carrossable | Non |
| Câble inclus | Oui |
| Longueur du câble | 0.300 m |
| Revêtement en résine | Non |
| Type d'émission lumineuse | Émission simple |
| Poids net | 0.68 Kg |
| Protection contre les décharges électrostatiques | Non |
| Protection contre les surtensions | Non |

| Finition corps | |
|----------------|---|
| Matériau | Aluminium moulé sous pression EN AB - 46100 |
| Couleur | Blanc |
| Fabrication | Revêtement en poudre |


| Finition diffuseur | |
|--------------------|--------------------------------|
| Matériau | Polycarbonate résistant aux UV |
| Couleur | transparent |

| Finition radiateur | |
|--------------------|---|
| Matériau | Aluminium moulé sous pression EN AB - 46100 |
| Couleur | Aluminium |
| Fabrication | Brillantage |

Électronique

 99112
On/Off Driver 198-264V AC (1 art.)

 83066
1-10V - Push and Simply Dim - DALI-2 Controller (1 art.)

 C-E100031
DALI - Push and Simply Dim Multi Power 198-264V AC / 180-275V DC (1 art.)

| Cables Electrification | |
|------------------------|------------------|
| Cable connector | Female Easy plug |
| IP (locked condition) | 66 |
| Cable connector | Male Easy plug |

Downlights | 1 arrayLED 25 W DC 700 mA | CRI 90 80672M60

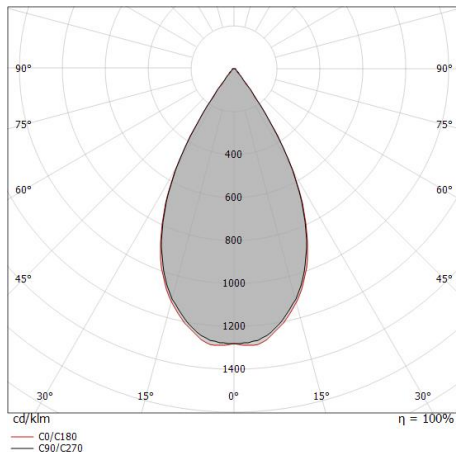
Single emission recessed downlights for indoor application. The super warm white LED light source with a wide flood light distribution is composed of 1 arrayed LEDs with CCT of 2700 K and a CRI 90; the source luminous flux is 3967 lm, with a 158.7 lm/W nominal luminous efficacy.

The device body is made of die-cast aluminium en ab - 46100 and features a white finish, processed by means of powder coating; the diffuser is made of uv resistant polycarbonate. The ingress protection degree is IP44; the total weight is of 0.68 kg. The power supply driver is not provided and is to be ordered separately.

The total absorbed power is 25 W. The power supply cable is included and features a 0.300 m length.

The device features protection class III and can be ceiling-mounted, with a 95 mm diameter hole (in plasterboard).

Compliant with the EN 60598-1 standard and its specific provisions.



| Distance [m] | Cone diameter [m] | illuminance [lx] |
|--------------|-------------------|--|
| 0.5 | 0.53 0.54 | E(0°) 11945 E(C90) 28.1° 4111 E(C0) 28.2° 4128 |
| 1.0 | 1.07 1.07 | E(0°) 2986 E(C90) 28.1° 1028 E(C0) 28.2° 1032 |
| 1.5 | 1.60 1.61 | E(0°) 1327 E(C90) 28.1° 457 E(C0) 28.2° 459 |
| 2.0 | 2.14 2.14 | E(0°) 747 E(C90) 28.1° 257 E(C0) 28.2° 258 |
| 2.5 | 2.67 2.68 | E(0°) 478 E(C90) 28.1° 164 E(C0) 28.2° 165 |
| 3.0 | 3.20 3.22 | E(0°) 332 E(C90) 28.1° 114 E(C0) 28.2° 115 |

— C0/C180 (Half-peak divergence: 56.4°)
— C90/C270 (Half-peak divergence: 56.2°)

Classe d'efficacité énergétique

Ce produit contient une source lumineuse de classe d'efficacité énergétique E.

Caractéristiques Techniques de l'éclairage

| | |
|-------------------------------------|----------------|
| Light Output Ratio (LOR) | 58 % |
| Flux lumineux (source) | 3967 lm |
| Flux lumineux du luminaire | 2333 lm |
| Consumption | 18 W |
| Efficacité lumineuse du luminaire | 129 lm/W |
| Température de couleur | 2700 K |
| Standards de Concordance de Couleur | 2 Step MacAdam |
| Indice de rendu chromatique | 90 Ra |

| | |
|--|-------------|
| Température standard de l'environnement de | -20 / +50°C |
| Température typique sur le verre | 40°C |

LED Life / Failure Ratio

L70 B10 C0 252000h (at Tj 65 Ta 25)

UGR

| | |
|-------------------|----------|
| UGR transversal | 19.4 |
| UGR axial | 19.4 |
| X=4H Y=8H | S=0.25H |
| Reflection factor | 70/50/20 |

OPTICAL

| | |
|-----------------------------|-------------|
| Optique C0/C180 | 56° |
| Light distribution simmetry | Symmetrical |

Downlights | 1 arrayLED 25 W DC 700 mA | CRI 90

80672M60

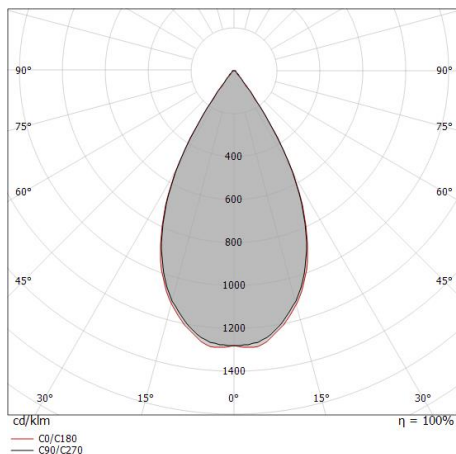
Single emission recessed downlights for indoor application. The super warm white LED light source with a wide flood light distribution is composed of 1 arrayed LEDs with CCT of 2700 K and a CRI 90; the source luminous flux is 3967 lm, with a 158.7 lm/W nominal luminous efficacy.

The device body is made of die-cast aluminium en ab - 46100 and features a white finish, processed by means of powder coating; the diffuser is made of uv resistant polycarbonate. The ingress protection degree is IP44; the total weight is of 0.68 kg. The power supply driver is not provided and is to be ordered separately.

The total absorbed power is 25 W. The power supply cable is included and features a 0.300 m length.

The device features protection class III and can be ceiling-mounted, with a 95 mm diameter hole (in plasterboard).

Compliant with the EN 60598-1 standard and its specific provisions.



| Distance [m] | Cone diameter [m] | illuminance [lx] |
|--------------|-------------------|--|
| 0.5 | 0.53 0.54 | E(0°) 15991 E(C90) 28.1° 5503 E(C0) 28.2° 5527 |
| 1.0 | 1.07 1.07 | E(0°) 3998 E(C90) 28.1° 1376 E(C0) 28.2° 1382 |
| 1.5 | 1.60 1.61 | E(0°) 1777 E(C90) 28.1° 611 E(C0) 28.2° 614 |
| 2.0 | 2.14 2.14 | E(0°) 999 E(C90) 28.1° 344 E(C0) 28.2° 345 |
| 2.5 | 2.67 2.68 | E(0°) 640 E(C90) 28.1° 220 E(C0) 28.2° 221 |
| 3.0 | 3.20 3.22 | E(0°) 444 E(C90) 28.1° 153 E(C0) 28.2° 154 |

Distance [m] Cone diameter [m] illuminance [lx]

— C0/C180 (Half-peak divergence: 56.4°)
— C90/C270 (Half-peak divergence: 56.2°)

Classe d'efficacité énergétique

Ce produit contient une source lumineuse de classe d'efficacité énergétique E.

Caractéristiques Techniques de l'éclairage

| | |
|-------------------------------------|----------------|
| Light Output Ratio (LOR) | 78 % |
| Flux lumineux (source) | 3967 lm |
| Flux lumineux du luminaire | 3123 lm |
| Consumption | 25 W |
| Efficacité lumineuse du luminaire | 124 lm/W |
| Température de couleur | 2700 K |
| Standards de Concordance de Couleur | 2 Step MacAdam |
| Indice de rendu chromatique | 90 Ra |

| | |
|--|-------------|
| Température standard de l'environnement de | -20 / +50°C |
| Température typique sur le verre | 40°C |

LED Life / Failure Ratio

L70 B10 C0 252000h (at Tj 65 Ta 25)

UGR

| | |
|-------------------|----------|
| UGR transversal | 20.4 |
| UGR axial | 20.4 |
| X=4H Y=8H | S=0.25H |
| Reflection factor | 70/50/20 |

OPTICAL

| | |
|-----------------------------|-------------|
| Optique C0/C180 | 56° |
| Light distribution simmetry | Symmetrical |