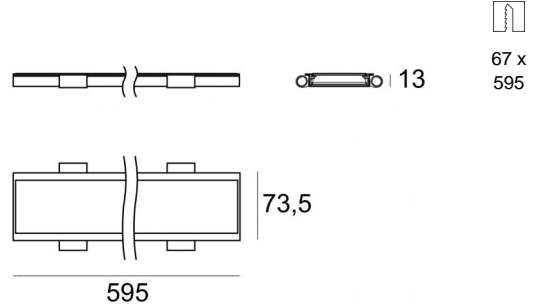




Systèmes - Éléments linéaires
156 topLED 12 W DC 24 V | Modular | CRI 90
65438N



Données techniques	
Typologie	--- Frame
Position d'installation	Plafond
Environnement d'installation	Intérieur
Source lumineuse	LED
Circuit structure	topLED
Light emission direction	downward
Puissance nominale	12 W DC
Flux lumineux (source)	1573 lm
Température de couleur / Tone	4000 K
Indice de rendu chromatique	90 Ra
C.C. / V.C.	CV
Classe d'isolation	3
IP	IP40
IP bloc optique	IP54
Essai au fil incandescent	850°
Montage direct sur des surfaces normalement inflammables	Oui
CE	Oui
Driver inclus	Non
Article à intensité variable	DALI - 1-10V
Orientable	Non
Basculement	Non
Piétinable	Non
Carrossable	Non
Câble inclus	Non
Revêtement en résine	Non
Type d'émission lumineuse	Émission simple
Poids net	0.43 Kg
Modularity	Modular
Protection contre les décharges électrostatiques	Non
Protection contre les surtensions	Non
Technologie optique	Dot free

Finition corps

Matériau	Aluminium 6060
Couleur	Blanc
Fabrication	Revêtement en poudre

Électronique

	99331 On/Off Driver 198~264V AC / 176~275V DC 150 W (1 art.)
	99332 1-10V Controller (1 - 12 art.)
	99374 On/Off Driver 198~264V AC / 176~275V DC 75 W (1 - 6 art.)
	83333 Push and Simply Dim - DALI-2 Controller (1 - 12 art.)
	C-E400002 Push and Simply Dim - DALI-2 Controller (1 - 20 art.)

Systèmes - Éléments linéaires | 156 topLED 12 W DC 24 V | Modular | CRI 90 | + 62461
65438N

Single emission systems, lines or lines for indoor application. The natural white LED light source is composed of 156 topLED LEDs with CCT of 4000 K and a CRI 90; the source luminous flux is 1573 lm, with a 131.1 lm/W nominal luminous efficacy.

The device body is made of aluminium 6060 and features a white finish, processed by means of powder coating. The ingress protection degree is IP40; the total weight is of 0.43 kg. The power supply driver is not provided and is to be ordered separately.

The total absorbed power is 12 W.

The device features protection class III and can be ceiling-mounted, with a 67 x 595 mm hole (in plasterboard).

Compliant with the EN 60598-1 standard and its specific provisions.

Classe d'efficacité énergétique

Ce produit contient 2.4 sources lumineuses de classe d'efficacité énergétique E.

Caractéristiques Techniques de l'éclairage

Light Output Ratio (LOR)	43 %
Flux lumineux (source)	1573 lm
Flux lumineux du luminaire	680 lm
Consumption	12 W
Efficacité lumineuse du luminaire	56 lm/W
Température de couleur	4000 K
Standards de Concordance de Couleur	3 Step MacAdam
Indice de rendu chromatique	90 Ra
Température standard de l'environnement de	-20 / +50°C
Température typique sur le verre	40°C

LED Life / Failure Ratio

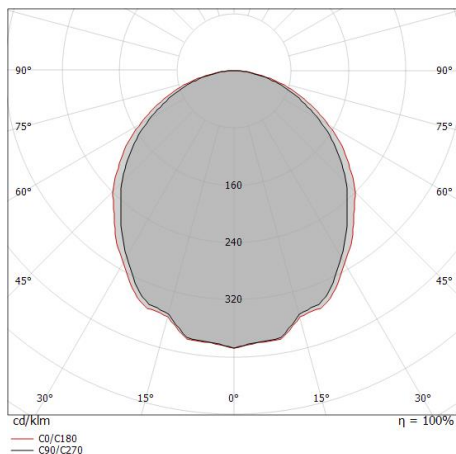
L70 B10 C0 145770h (at Tj 65 Ta 25)

UGR

UGR axial	22.2
UGR transversal	22.8
X=4H Y=8H	S=0.25H
Reflection factor	70/50/20

OPTICAL

Optique C90/C270	100°
Optique C0/C180	106°
Light distribution simmetry	Symmetrical 2 assis



Distance [m]	Cone diameter [m]	illuminance [lx]
0.5	1.19 1.33	E(0°) 1055 E(C90) 141 E(C0) 114
1.0	2.38 2.66	E(0°) 264 E(C90) 35 E(C0) 29
1.5	3.56 4.00	E(0°) 117 E(C90) 16 E(C0) 13
2.0	4.75 5.33	E(0°) 66 E(C90) 9 E(C0) 7
2.5	5.94 6.66	E(0°) 42 E(C90) 6 E(C0) 5
3.0	7.13 7.99	E(0°) 29 E(C90) 4 E(C0) 3

— C0/C180 (Half-peak divergence: 106.2°)
 - - C90/C270 (Half-peak divergence: 99.8°)

65438N

Single emission systems, lines or lines for indoor application. The natural white LED light source is composed of 156 topLEDs with CCT of 4000 K and a CRI 90; the source luminous flux is 1573 lm, with a 131.1 lm/W nominal luminous efficacy.

The device body is made of aluminium 6060 and features a white finish, processed by means of powder coating. The ingress protection degree is IP40; the total weight is of 0.43 kg. The power supply driver is not provided and is to be ordered separately.

The total absorbed power is 12 W.

The device features protection class III and can be ceiling-mounted, with a 67 x 595 mm hole (in plasterboard).

Compliant with the EN 60598-1 standard and its specific provisions.

Classe d'efficacité énergétique

Ce produit contient 2.4 sources lumineuses de classe d'efficacité énergétique E.

Caractéristiques Techniques de l'éclairage

Light Output Ratio (LOR)	35 %
Flux lumineux (source)	1573 lm
Flux lumineux du luminaire	556 lm
Consumption	12 W
Efficacité lumineuse du luminaire	46 lm/W
Température de couleur	4000 K
Standards de Concordance de Couleur	3 Step MacAdam
Indice de rendu chromatique	90 Ra
Température standard de l'environnement de	
	-20 / +50°C
Température typique sur le verre	
	40°C

LED Life / Failure Ratio

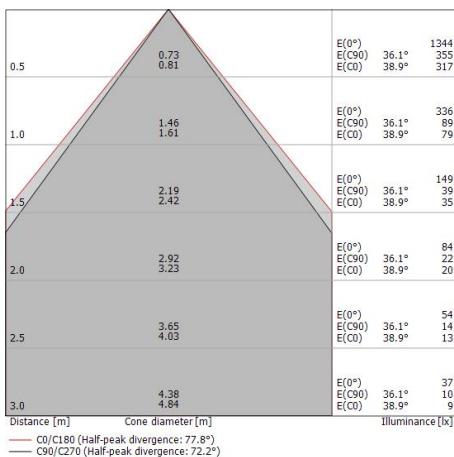
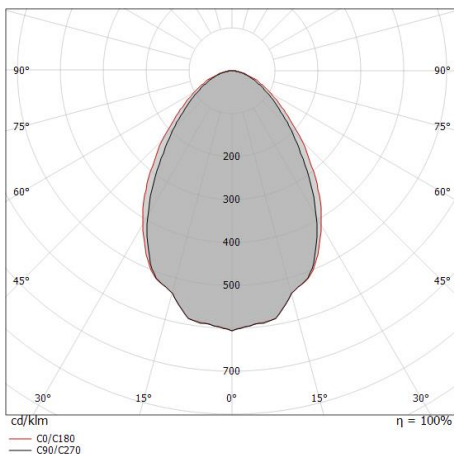
L70 B10 C0 145770h (at Tj 65 Ta 25)

UGR

UGR axial	17.7
UGR transversal	18.5
X=4H Y=8H	S=0.25H
Reflection factor	70/50/20

OPTICAL

Optique C90/C270	72°
Optique C0/C180	78°
Light distribution symmetry	Symmetrical 2 assis



65438N

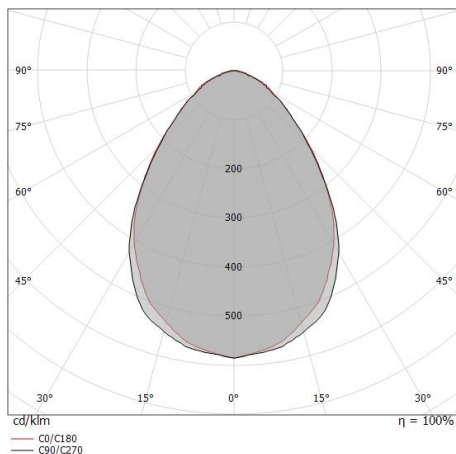
Single emission systems, lines or lines for indoor application. The natural white LED light source is composed of 156 topLED LEDs with CCT of 4000 K and a CRI 90; the source luminous flux is 1573 lm, with a 131.1 lm/W nominal luminous efficacy.

The device body is made of aluminium 6060 and features a white finish, processed by means of powder coating. The ingress protection degree is IP40; the total weight is of 0.43 kg. The power supply driver is not provided and is to be ordered separately.

The total absorbed power is 12 W.

The device features protection class III and can be ceiling-mounted, with a 67 x 595 mm hole (in plasterboard).

Compliant with the EN 60598-1 standard and its specific provisions.



Distance [m]	Cone diameter [m]	illuminance [lx]
0.5	0.82 0.81	E(0°) 1700 E(C90) 39.2° 396 E(C0) 39.1° 398
1.0	1.63 1.63	E(0°) 425 E(C90) 39.2° 99 E(C0) 39.1° 100
1.5	2.45 2.44	E(0°) 189 E(C90) 39.2° 44 E(C0) 39.1° 44
2.0	3.26 3.25	E(0°) 106 E(C90) 39.2° 25 E(C0) 39.1° 25
2.5	4.08 4.06	E(0°) 68 E(C90) 39.2° 16 E(C0) 39.1° 16
3.0	4.89 4.88	E(0°) 47 E(C90) 39.2° 11 E(C0) 39.1° 11

— C0/C180 (Half-peak divergence: 78.2°)
— C90/C270 (Half-peak divergence: 78.4°)

Classe d'efficacité énergétique

Ce produit contient 2.4 sources lumineuses de classe d'efficacité énergétique E.

Caractéristiques Techniques de l'éclairage

Light Output Ratio (LOR)	46 %
Flux lumineux (source)	1573 lm
Flux lumineux du luminaire	725 lm
Consumption	12 W
Efficacité lumineuse du luminaire	60 lm/W
Température de couleur	4000 K
Standards de Concordance de Couleur	3 Step MacAdam
Indice de rendu chromatique	90 Ra

Température standard de l'environnement de	-20 / +50°C
Température typique sur le verre	40°C

LED Life / Failure Ratio

L70 B10 C0 145770h (at Tj 65 Ta 25)

UGR

UGR axial	18.4
UGR transversal	18.7
X=4H Y=8H	S=0.25H
Reflection factor	70/50/20

OPTICAL

Optique C0/C180	78°
Light distribution simmetry	Symmetrical

65438N

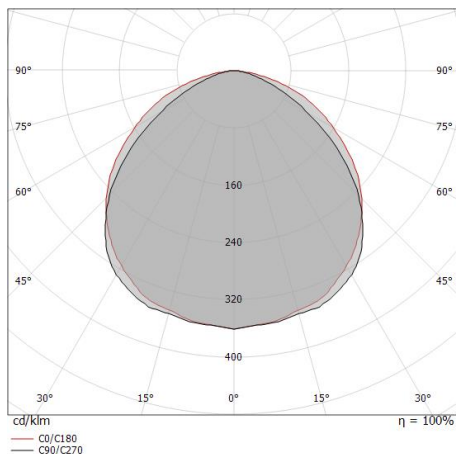
Single emission systems, lines or lines for indoor application. The natural white LED light source is composed of 156 topLED LEDs with CCT of 4000 K and a CRI 90; the source luminous flux is 1573 lm, with a 131.1 lm/W nominal luminous efficacy.

The device body is made of aluminium 6060 and features a white finish, processed by means of powder coating. The ingress protection degree is IP40; the total weight is of 0.43 kg. The power supply driver is not provided and is to be ordered separately.

The total absorbed power is 12 W.

The device features protection class III and can be ceiling-mounted, with a 67 x 595 mm hole (in plasterboard).

Compliant with the EN 60598-1 standard and its specific provisions.



Distance [m]	Cone diameter [m]	illuminance [lx]	E(0°)	E(C90)	E(C0)
0.5	1.33 1.53	1181 129 97	E(0°)	53.0°	56.8°
1.0	2.65 3.06	295 32 24	E(0°)	53.0°	56.8°
1.5	3.98 4.58	131 14 11	E(0°)	53.0°	56.8°
2.0	5.31 6.11	74 8 6	E(0°)	53.0°	56.8°
2.5	6.64 7.64	47 5 4	E(0°)	53.0°	56.8°
3.0	7.96 9.17	33 4 3	E(0°)	53.0°	56.8°

— C0/C180 (Half-peak divergence: 113.6°)
— C90/C270 (Half-peak divergence: 106.0°)

Classe d'efficacité énergétique

Ce produit contient 2.4 sources lumineuses de classe d'efficacité énergétique E.

Caractéristiques Techniques de l'éclairage

Light Output Ratio (LOR)	52 %
Flux lumineux (source)	1573 lm
Flux lumineux du luminaire	818 lm
Consumption	12 W
Efficacité lumineuse du luminaire	68 lm/W
Température de couleur	4000 K
Standards de Concordance de Couleur	3 Step MacAdam
Indice de rendu chromatique	90 Ra

Température standard de l'environnement de	-20 / +50°C
Température typique sur le verre	40°C

LED Life / Failure Ratio

L70 B10 C0 145770h (at Tj 65 Ta 25)

UGR

UGR axial	21.1
UGR transversal	23.3
X=4H Y=8H	S=0.25H
Reflection factor	70/50/20

OPTICAL

Optique C90/C270	106°
Optique C0/C180	114°
Light distribution simmetry	Symmetrical 2 assis



		<p>Bouchon - Verre de quartz Matériau:Aluminium moulé sous pression EN AB - 46100, couleur:Blanc, fabrication :Revêtement en poudre.</p>	<p>Code <u>62460</u></p>
		<p>Diffuseur Type de diffuseur: diffusore satinato anti glare - all white. Matériau:PMMA résistant aux UV, fabrication :Satinage.</p>	<p>Code <u>83356</u></p>
		<p>Diffuseur Type de diffuseur: diffusore satinato anti glare - all white. Matériau:PMMA résistant aux UV, fabrication :Satinage.</p>	<p>Code <u>83357</u></p>
		<p>Diffuseur Type de diffuseur: diffusore satinato - all white. Matériau:PMMA résistant aux UV, fabrication :Satinage.</p>	<p>Code <u>83407</u></p>
		<p>Diffuseur Type de diffuseur: diffusore satinato - all white. Matériau:PMMA résistant aux UV, fabrication :Satinage.</p>	<p>Code <u>83408</u></p>
		<p>Diffuseur Type de diffuseur: diffusore satinato - all white. Matériau:PMMA résistant aux UV, fabrication :Satinage.</p>	<p>Code <u>83409</u></p>