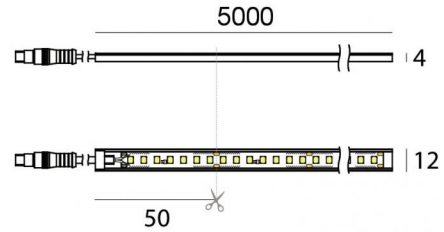


PU_C Plus 140 LEDs/m



LED Strip | 700 topLED 36 W DC 24 V | 7.2 W/m
756 Lm/m | CRI >90
C00124WHMDI



| Datos técnicos | |
|---|--------------------------|
| Largo | 5000 mm |
| Corte mínimo | 50 mm |
| Tipo | LED Strip |
| Posición de instalación | Pared - Techo |
| Ambiente de instalación | Exteriores |
| Fuente de luz | LED |
| Circuit structure | topLED |
| Óptica | Difusa |
| Light emission direction | downward |
| Potencia nominal | 36 W DC |
| Potencia / m | 7.2 W / m |
| Flujo luminoso (fuente) | 3780 lm |
| Flujo luminoso (fuente) / m | 756 lm / m |
| Rango de voltaje de entrada | 24V |
| CCT / Tone | 2700 K |
| Índice de rendimientos cromático | >90 Ra |
| C.C. / C.V. | CV |
| Clase de aislamiento | 3 |
| IP | IP66 |
| Test del hilo incandescente | 650° |
| Montaje directo sobre superficies normalmente inflamables | Sí |
| CE | Sí |
| Driver incluido. | No |
| Artículo regulable | DALI - 1-10V |
| Orientabilidad | No |
| Basculación | No |
| Practicabilidad | No |
| Transitabilidad | No |
| Cable incluido. | Sí |
| Largo del cable | 1(M)x0.25m + 1(F)x1 m |
| Resinado | Sí |
| Tipología de emisión luminosa | Una emisión |
| Largo | 5000 mm |
| Peso neto | 0.575 Kg |
| Protección descargas electrostáticas | No |
| Protección contra sobretensiones | No |

Acabado cuerpo

| | |
|----------|---------------|
| Material | Tecnopolímero |
| Color | blanco |

Acabado difusor

| | |
|----------|-------|
| Material | PU |
| Color | Ópalo |

Electrónica

| | |
|--|---|
| | 99331 On/Off Driver 198-264V AC / 176-275V DC 150 W (1 - 4 art.) |
| | 99332 1-10V Controller (1 - 4 art.) |
| | 99374 On/Off Driver 198-264V AC / 176-275V DC 75 W (1 - 2 art.) |
| | 83333 Push and Simply Dim - DALI-2 Controller (1 - 4 art.) |
| | C-E400002 Push and Simply Dim - DALI-2 Controller (1 - 6 art.) |

PU_C Plus 140 LEDs/m



LED Strip | 700 topLED 36 W DC 24 V | 7.2 W/m | 756 Lm/m | CRI >90
C00124WHMDI

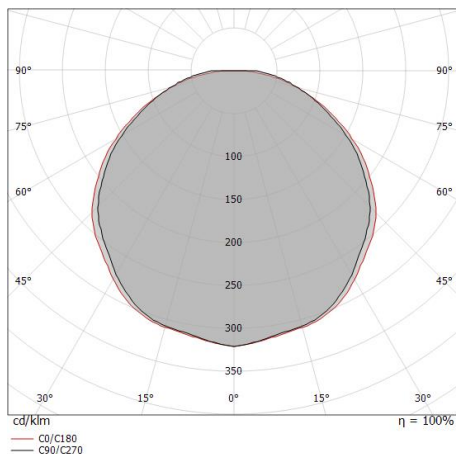
Single emission led strip for outdoor application. The super warm white LED light source with a diffused light distribution is composed of 700 topped LEDs with CCT of 2700 K and a CRI >90; the source luminous flux is 3780 lm, with a 105.0 lm/W nominal luminous efficacy.

The device body is made of technopolymer and features a white finish; the diffuser is made of pu. The ingress protection degree is IP66; the total weight is of 0.575 kg. The power supply driver is not provided and is to be ordered separately.

The total absorbed power is 36 W. The power supply cable is included and features a 1(M)x0.25m + 1(F)x1 m length.

The device features protection class III and can be wall lights or ceiling-mounted.

Compliant with the EN 60598-1 standard and its specific provisions.



| Distance [m] | Cone diameter [m] | illuminance [lx] |
|--------------|-------------------|---------------------------------------|
| 0.5 | 1.62 1.71 | E(0°) 3903 E(C90) 284 E(C0) 252 |
| 1.0 | 3.24 3.42 | E(0°) 976 E(C90) 71 E(C0) 63 |
| 1.5 | 4.86 5.13 | E(0°) 434 E(C90) 32 E(C0) 28 |
| 2.0 | 6.48 6.85 | E(0°) 244 E(C90) 18 E(C0) 16 |
| 2.5 | 8.10 8.56 | E(0°) 156 E(C90) 11 E(C0) 10 |
| 3.0 | 9.71 10.27 | E(0°) 108 E(C90) 8 E(C0) 7 |

Distance [m] Cone diameter [m] illuminance [lx]

— C0/C180 (Half-peak divergence: 119.4°)
 — C90/C270 (Half-peak divergence: 116.6°)

Clase de eficiencia energética



Este producto contiene una fuente de luz de clase de eficiencia energética F.

Características Luminotécnicas

| | |
|---|----------------|
| Light Output Ratio (LOR) | 80 % |
| Flujo luminoso (fuente) | 3780 lm |
| Flujo luminoso de luminaria | 3040 lm |
| Consumption | 36 W |
| Rendimiento luminoso de las luminarias | 84 lm/W |
| Temperatura de color | 2700 K |
| Standard Deviation of Colour Matching | 3 Step MacAdam |
| Temperatura estándar del ambiente de servicio | -20 / +55°C |

UGR

| | |
|-------------------|----------|
| UGR axial | 27.8 |
| UGR transversal | 27.6 |
| X=4H Y=8H | S=0.25H |
| Reflection factor | 70/50/20 |

OPTICAL

| | |
|-----------------------------|-------------|
| Óptica C0/C180 | 117° |
| Light distribution symmetry | Symmetrical |

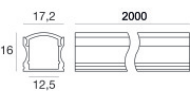


PU_C Plus 140 LEDs/m



LED Strip | 700 topLED 36 W DC 24 V | 7.2 W/m | 756 Lm/m | CRI >90

C00124WHMDI

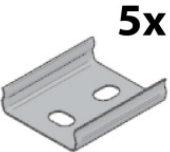
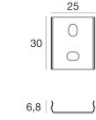

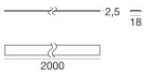












Components

| | | | |
|--|---|----------------------------------|---------------------------------|
|  |  | LUNO_20/27 - Profili Modular | Code <u>C-K100017</u> |
|  |  | LUNO_20/27 - Profili Modular | Code <u>C-K100018</u> |
|  |  | Rive_17/16 - Profili Modular | Code <u>C-K100015</u> |
|  |  | Rive_17/16 - Profili Modular | Code <u>C-K100016</u> |
|  |  | Tabulo_35/14 - Profili Modular | Code <u>C-K100025</u> |
|  |  | Rive_17/16 - Profili Modular | Code <u>C-K100026</u> |
|  |  | Rive_17/16 - Profili Modular | Code <u>C-K100027</u> |

PU_C Plus 140 LEDs/m











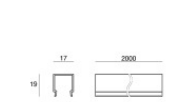

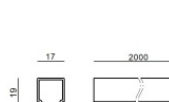

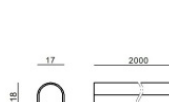

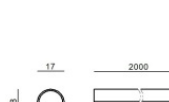

PU_C Plus 140 LEDs/m | LED Strip | Accessories
C00124WHMDI

| | | | |
|--|---|--|---|
|  |  | <p>Muelles para empotrar - 5 piezas</p> | <p>Code <u>98420</u></p> |
|  |  | <p>Difusor Tipo de difusor: difusor opalino. Material:PC, color:opalino.</p> | <p>Finish <u>Opaline</u> Code <u>98395</u></p> |
|  |  | <p>Difusor</p> | <p>Code <u>98941</u></p> |
|  |  | <p>Difusor</p> | <p>Code <u>98942</u></p> |
|  |  | <p>Difusor - difusor Opalino</p> | <p>Code <u>98943</u></p> |
|  |  | <p>Difusor</p> | <p>Code <u>98898</u></p> |
|  |  | <p>Difusor</p> | <p>Code <u>98899</u></p> |
|  |  | <p>Difusor</p> | <p>Code <u>98900</u></p> |

PU_C Plus 140 LEDs/m



PU_C Plus 140 LEDs/m | LED Strip | Accessories
C00124WHMDI

| | | | | |
|--|---|--|--------------------------|--------------------------|
|  |  | Difusor Material:PC, color:negro. | Finish Black | Code 83132 |
|  |  | Difusor Material:PC, color:opalino. | Finish Opaline | Code C-K200001 |
|  |  | Difusor Material:PC, color:opalino. | Finish Opaline | Code C-K200003 |
|  |  | Difusor Material:PC, color:negro. | Finish Black | Code C-K200004 |
|  |  | Difusor Material:PC, color:opalino. | Finish Opaline | Code C-K200005 |
|  |  | Difusor Material:PC, color:negro. | Finish Black | Code C-K200006 |
|  |  | Difusor Material:PC, color:opalino. | Finish Opaline | Code C-K200007 |
|  |  | Difusor Material:PC, color:negro. | Finish Black | Code C-K200008 |

PU_C Plus 140 LEDs/m



PU_C Plus 140 LEDs/m | LED Strip | Accessories
C00124WHMDI

| | | |
|--|---|---|
| | <p>Difusor Material:PC, color:negro.</p> | <p>Finish Black</p> <p>Code C-K200009</p> |
| | <p>Tapón</p> | <p>Code 98418</p> |
| | <p>Tapón</p> | <p>Code 98902</p> |
| | <p>Tapón Material:aluminio, color:pulido.</p> | <p>Code 98907</p> |
| | <p>Tapón Material:plástico, color:gris.</p> | <p>Code C-V400019</p> |
| | <p>Tapón Material:Plástico ABS, color:negro.</p> | <p>Code C-V400020</p> |
| | <p>Tapón Material:plástico, color:gris.</p> | <p>Code C-V400021</p> |
| | <p>Tapón Material:Plástico ABS, color:negro.</p> | <p>Code C-V400022</p> |

PU_C Plus 140 LEDs/m




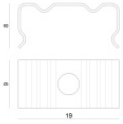


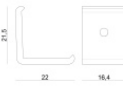


PU_C Plus 140 LEDs/m | LED Strip | Accessories
C00124WHMDI

| | | |
|--|---|---|
| | <p>Tapón Material:plástico, color:gris.</p> | <p>Code <u>C-V400025</u></p> |
| | <p>Tapón Material:Plástico ABS, color:negro.</p> | <p>Code <u>C-V400026</u></p> |
| | <p>Tapón Material:plástico, color:gris.</p> | <p>Code <u>C-V400031</u></p> |
| | <p>Tapón Material:Plástico ABS, color:negro.</p> | <p>Code <u>C-V400032</u></p> |
| | <p>Tapón Material:Plástico ABS, color:negro.</p> | <p>Code <u>C-V400034</u></p> |
| | <p>Tapón Material:plástico, color:gris.</p> | <p>Code <u>C-V400033</u></p> |
| | <p>Tapón Material:plástico, color:gris.</p> | <p>Code <u>C-V400041</u></p> |
| | <p>SopORTE - Kit de fijación para PU_C 5 m 1 x pegamento, 20 x soportes, 40 x tornillos M3 x 25, 10 x tacos</p> | <p>Code <u>98964</u></p> |

PU_C Plus 140 LEDs/m



PU_C Plus 140 LEDs/m | LED Strip | Accessories
C00124WHMDI

| | | | | |
|---|--|--|--------------------------|----------------------|
|  x20 x10 | | Soporte - Kit de soportes para PU_C 5 m y Silicone_C 5 m 10 x soportes, 20 x tornillos M3 x 25 | Code 89223 | |
|   | | Soporte - Soporte de montaje L=19mm, H=8mm, D=9mm. Material:Hierro, color:zinc, elaboración :Lavado. | Code 98944 | |
|   | | Soporte L=9mm, H=8.8mm, D=21.8mm. Material:Hierro, color:pulido, elaboración :Lavado. | Code 98931 | |
|   | | Soporte L=22mm, H=21.5mm, D=16.4mm. Material:PC, color:transparente. | Finish Transp. | Code 98904 |
|   | | Soporte L=12mm, H=15mm, D=30mm. Material:PC, color:blanco. | Finish White | Code 98901 |
|  | | cable de extensión | Code 99542 | |