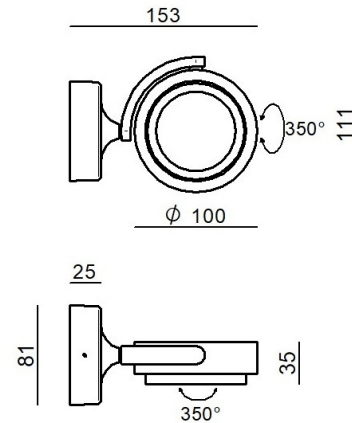




Plafón - Projectores | 198-264 V  
1 arrayLED 9 W DC - 11 W AC | CRI 90  
**9911**



### Datos técnicos

Tipo	---- Superficie
Posición de instalación	Pared - Techo
Ambiente de instalación	Interiores
Fuente de luz	LED
Circuit structure	arrayLED
Óptica	Spot
Light emission direction	downward
Potencia nominal	9 W DC
Poder total	11 W
Flujo luminoso (fuente)	958 lm
Tensión nominal de entrada	220 - 240 V AC
Rango de voltaje de entrada	198 - 264 V AC
Frequency	50 - 60 Hz
CCT / Tone	3000 K
Índice de rendimientos cromático	90 Ra
C.C. / C.V.	AC
Clase de aislamiento	1
IP	IP20
Test del hilo incandescente	850°
Montaje directo sobre superficies normalmente inflamables	Sí
CE	Sí
Driver incluido.	driver
Artículo regulable	Phase cut
Orientabilidad	Orientabile
ángulo total (plano vertical)	350 °
ángulo total (plano horizontal)	350 °
Basculación	No
Practicabilidad	No
Transitabilidad	No
Cable incluido.	No
Resinado	No
Tipología de emisión luminosa	Una emisión
Peso neto	0.600 Kg
Protección descargas electrostáticas	No
Protección contra sobretensiones	No

### Acabado cuerpo

Material	aluminio
Color	Negro
Elaboración	Pintura

### Acabado difusor

Material	PC
Color	opalino

## Plafón - Projectores | 198-264 V | 1 arrayLED 9 W DC - 11 W AC | CRI 90 9911

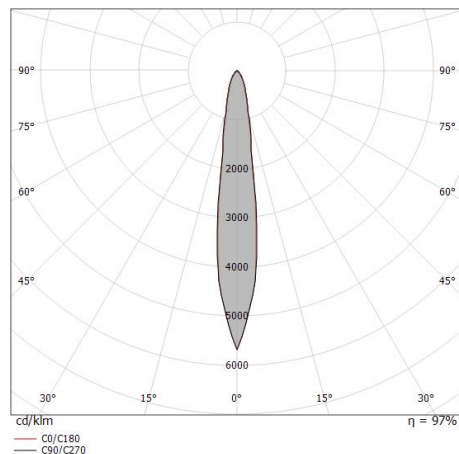
Single emission ceiling downlights, projectors or projectors for indoor application. The warm white LED light source with a spot light distribution is composed of 1 topped LEDs with CCT of 3000 K and a CRI 90; the source luminous flux is 958 lm, with a 106.4 lm/W nominal luminous efficacy.

The device body is made of aluminium and features a black finish, processed by means of coating; the diffuser is made of PC. The ingress protection degree is IP20; the total weight is of 0.600 kg.

The total absorbed power is 11 W.

The device features protection class I and can be wall lights or ceiling-mounted.

Compliant with the EN 60598-1 standard and its specific provisions.



Distance [m]	Cone diameter [m]	Illuminance [lx]
0.5	0.14	E(0°) 19490 E(C0) 9494
1.0	0.27	E(0°) 4872 E(C0) 2373
1.5	0.41	E(0°) 2166 E(C0) 1055
2.0	0.54	E(0°) 1218 E(C0) 593
2.5	0.68	E(0°) 780 E(C0) 380
3.0	0.81	E(0°) 541 E(C0) 264

Distance [m] Cone diameter [m] Illuminance [lx]  
— C0/C180 (Half-peak divergence: 15.4°)

### Clase de eficiencia energética

Este producto contiene una fuente de luz de clase de eficiencia energética F.

### Características Luminotécnicas

Light Output Ratio (LOR)	89 %
Flujo luminoso (fuente)	958 lm
Flujo luminoso de luminaria	856 lm
Consumption	11 W
Rendimiento luminoso de las luminarias	77 lm/W
Temperatura de color	3000 K
Standard Deviation of Colour Matching	3 Step MacAdam
Índice de rendimientos cromático	90 Ra
Temperatura de unión (luminaria)	80
Temperatura estándar del ambiente de servicio	25°C

### LED Life / Failure Ratio

L80 B20 C0 80000h

### UGR

UGR axial	17.7
UGR transversal	17.8
X=4H   Y=8H	S=0.25H
Reflection factor	70/50/20

### OPTICAL

Óptica C0/C180	15°
Light distribution simmetry	Symmetrical

Plafón - Projectores | 198-264 V | 1 arrayLED 9 W DC - 11 W AC | CRI 90

9911

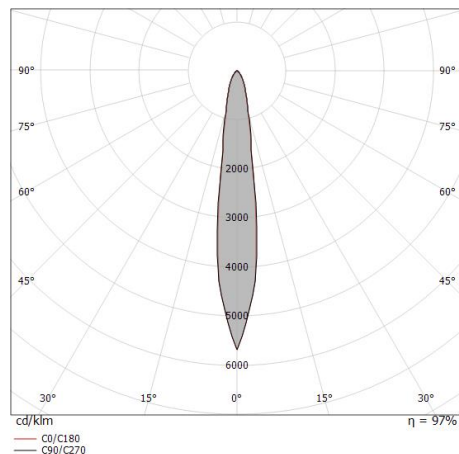
Single emission ceiling downlights, projectors or projectors for indoor application. The warm white LED light source with a spot light distribution is composed of 1 topped LEDs with CCT of 3000 K and a CRI 90; the source luminous flux is 958 lm, with a 106.4 lm/W nominal luminous efficacy.

The device body is made of aluminium and features a black finish, processed by means of coating; the diffuser is made of PC. The ingress protection degree is IP20; the total weight is of 0.600 kg.

The total absorbed power is 11 W.

The device features protection class I and can be wall lights or ceiling-mounted.

Compliant with the EN 60598-1 standard and its specific provisions.



0.5	0.14	E(0°) E(C0)	7.7°	18124 8828
1.0	0.27	E(0°) E(C0)	7.7°	4531 2207
1.5	0.41	E(0°) E(C0)	7.7°	2014 981
2.0	0.54	E(0°) E(C0)	7.7°	1133 552
2.5	0.68	E(0°) E(C0)	7.7°	725 353
3.0	0.81	E(0°) E(C0)	7.7°	503 245

Distance [m]      Cone diameter [m]      Illuminance [lx]

— C0/C180 (Half-peak divergence: 15.4°)

### Clase de eficiencia energética

Este producto contiene una fuente de luz de clase de eficiencia energética F.

### Características Luminotécnicas

Light Output Ratio (LOR)	83 %
Flujo luminoso (fuente)	958 lm
Flujo luminoso de luminaria	796 lm
Consumption	11 W
Rendimiento luminoso de las luminarias	72 lm/W
Temperatura de color	3000 K
Standard Deviation of Colour Matching	3 Step MacAdam
Índice de rendimientos cromático	90 Ra
Temperatura de unión (luminaria)	80
Temperatura estándar del ambiente de servicio	25°C

### LED Life / Failure Ratio

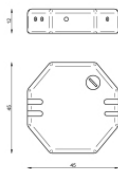
L80 B20 C0 80000h

### UGR

UGR axial	17.5
UGR transversal	17.5
X=4H   Y=8H	S=0.25H
Reflection factor	70/50/20

### OPTICAL

Óptica C0/C180	15°
Light distribution simmetry	Symmetrical



Regulador de intensidad  
220-240V

**Code**

KIT0026