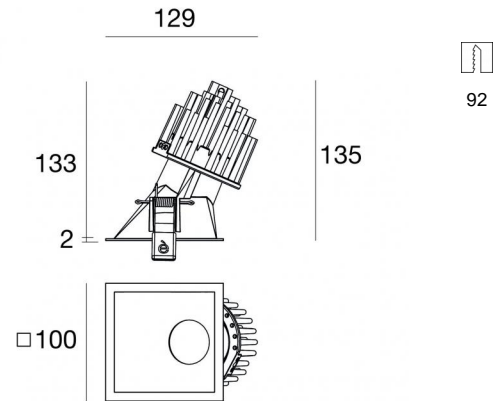




Downlights | 1 arrayLED 15 W DC 400 mA | CRI 90
90871M15



| Datos técnicos | |
|---|--------------|
| Posición de instalación | Techo |
| Ambiente de instalación | Interiores |
| Fuente de luz | LED |
| Circuit structure | arrayLED |
| Óptica | Spot |
| Light emission direction | downward |
| Potencia nominal | 15 W DC |
| Flujo luminoso (fuente) | 2214 lm |
| Rango de voltaje de entrada | 400mA |
| CCT / Tone | 2700 K |
| Índice de rendimientos cromático | 90 Ra |
| C.C. / C.V. | CC |
| Clase de aislamiento | 3 |
| IP | IP44 |
| IP vano óptico | IP65 |
| Test del hilo incandescente | 850° |
| Montaje directo sobre superficies normalmente inflamables | Sí |
| CE | Sí |
| Driver incluido. | No |
| Artículo regulable | DALI - 1-10V |
| Orientabilidad | No |
| Basculación | No |
| Practicabilidad | No |
| Transitabilidad | No |
| Cable incluido. | Sí |
| Largo del cable | 0.300 m |
| Resinado | No |
| Tipología de emisión luminosa | Una emisión |
| Peso neto | 0.511 Kg |
| Protección descargas electrostáticas | No |
| Protección contra sobretensiones | No |
| Tecnología óptica | F.O.L. |

Acabado cuerpo

| | |
|-------------|--------------------------------|
| Material | Aluminio fundido EN AB - 46100 |
| Color | Negro |
| Elaboración | Recubrimiento en polvo |


Acabado difusor


| | |
|----------|---|
| Material | Policarbonato resistente a los rayos UV |
| Color | transparente |

Acabado radiador

| | |
|-------------|--------------------------------|
| Material | Aluminio fundido EN AB - 46100 |
| Elaboración | Pulido |

Electrónica

 99740
Multi Power 198~264V AC / 180~275V DC (1 art.)

 99739
1-10V Multi Power 198~264V AC / 180~275V DC (1 art.)

 C-E100032
Push and Simply Dim - DALI-2 Controller (1 art.)

Cables Electrificación

| | |
|-----------------------|----------------|
| Cable connector | Male Easy plug |
| IP (locked condition) | 66 |

Downlights | 1 arrayLED 15 W DC 400 mA | CRI 90 90871M15

Single emission recessed downlights for indoor application. The super warm white LED light source with a spot light distribution is composed of 1 arrayLEDs with CCT of 2700 K and a CRI 90; the source luminous flux is 2214 lm, with a 147.6 lm/W nominal luminous efficacy.

The device body is made of die-cast aluminium en ab - 46100 and features a black finish, processed by means of powder coating; the diffuser is made of uv resistant polycarbonate. The ingress protection degree is IP44; the total weight is of 0.511 kg. The power supply driver is not provided and is to be ordered separately.

The total absorbed power is 15 W. The power supply cable is included and features a 0.300 m length.

The device features protection class III and can be ceiling-mounted, with a 92 x 92 mm hole (in plasterboard).

Compliant with the EN 60598-1 standard and its specific provisions.

Clase de eficiencia energética

Este producto contiene una fuente de luz de clase de eficiencia energética E.

Características Luminotécnicas

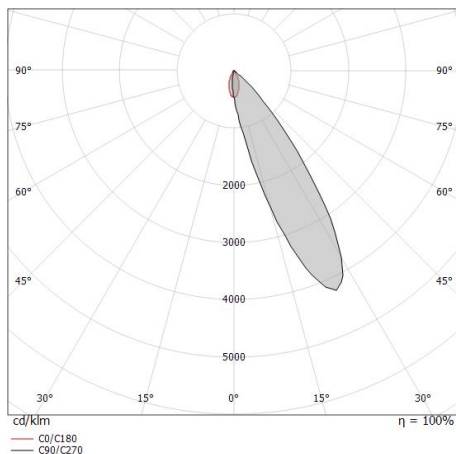
| | |
|---|----------------|
| Light Output Ratio (LOR) | 34 % |
| Flujo luminoso (fuente) | 2214 lm |
| Flujo luminoso de luminaria | 765 lm |
| Consumption | 15 W |
| Rendimiento luminoso de las luminarias | 51 lm/W |
| Temperatura de color | 2700 K |
| Standard Deviation of Colour Matching | 2 Step MacAdam |
| Índice de rendimientos cromático | 90 Ra |
| Colour Rendering Index | 60 R9 |
| Black Body Locus | On |
| Temperatura estándar del ambiente de servicio | -20 / +50°C |
| Temperatura típica sobre el vidrio | 40°C |

LED Life / Failure Ratio

L70 B10 C0 252000h (at Tj 65 Ta 25)

OPTICAL

| | |
|-----------------------------|--------------|
| Óptica C0/C180 | 43° |
| Light distribution symmetry | Asymmetrical |



| Distance [m] | Cone diameter [m] | Illuminance [lx] |
|--------------|-------------------|------------------|
| 0.5 | 0.40 | 1407 |
| 1.0 | 0.80 | 352 |
| 1.5 | 1.19 | 156 |
| 2.0 | 1.59 | 88 |
| 2.5 | 1.99 | 56 |
| 3.0 | 2.39 | 39 |

