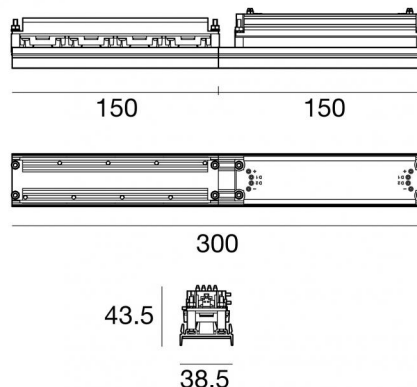




Sistemas - Elementos lineales  
4 x powerLEDs 12 W DC 24 V | CRI 92  
**83744N60**



Datos técnicos	
Tipo	Sistemas - Elementos lineales
Ambiente de instalación	Interiores
Fuente de luz	LED
Circuit structure	powerLEDs
Óptica	Wide Flood
Light emission direction	downward
Potencia nominal	12 W DC
Flujo luminoso (fuente)	1383 lm
Rango de voltaje de entrada	24 V
CCT / Tone	4000 K
Índice de rendimientos cromático	92 Ra
C.C. / C.V.	CV
Clase de aislamiento	3
IP	IP40
Test del hilo incandescente	850°
Montaje directo sobre superficies normalmente inflamables	No
CE	Sí
Driver incluido.	No
C.V. - C.C. Converter	Convertidor 24V incluido
Artículo regulable	DALI
Orientabilidad	No
Basculación	No
Practicabilidad	No
Transitabilidad	No
Cable incluido.	Sí
Largo del cable	0.25 m
Resinado	No
Tipología de emisión luminosa	Una emisión
Peso neto	0.266 Kg
Protección descargas electrostáticas	No
Protección contra sobretensiones	No

#### Acabado cuerpo

Material	Aluminio fundido EN AB - 46100
Color	Negro
Elaboración	Recubrimiento en polvo

#### Acabado difusor

Material	Policarbonato resistente a los rayos UV
Color	romo
Elaboración	Metalización

#### Cables Electrification

Cable connector	Easy Plug
-----------------	-----------

## Sistemas - Elementos lineales | 4 x powerLEDs 12 W DC 24 V | CRI 92 83744N60

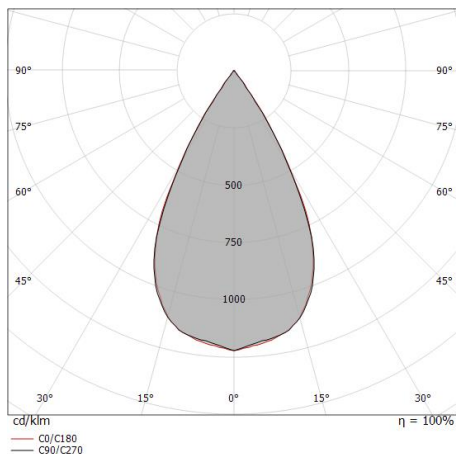
Single emission systems or lines for indoor application. The natural white LED light source with a wide flood light distribution is composed of 4 powerLEDs with CCT of 4000 K and a CRI 92; the source luminous flux is 1383 lm, with a 115.3 lm/W nominal luminous efficacy.

The device body is made of die-cast aluminium en ab - 46100 and features a black finish, processed by means of powder coating; the diffuser is made of uv resistant polycarbonate with a metallization treatment. The ingress protection degree is IP40; the total weight is of 0.266 kg.

The total absorbed power is 12 W. The power supply cable is included and features a 0.25 m length.

The device features protection class III.

Compliant with the EN 60598-1 standard and its specific provisions.



Distance [m]	Cone diameter [m]	illuminance [lx]
0.5	0.53 0.53	E(0°) 5729 E(C90) 1989 E(C0) 1974
1.0	1.06 1.07	E(0°) 1432 E(C90) 497 E(C0) 494
1.5	1.59 1.60	E(0°) 637 E(C90) 221 E(C0) 219
2.0	2.12 2.14	E(0°) 358 E(C90) 124 E(C0) 123
2.5	2.65 2.67	E(0°) 229 E(C90) 80 E(C0) 79
3.0	3.18 3.20	E(0°) 159 E(C90) 55 E(C0) 55

— C0/C180 (Half-peak divergence: 56.2°)  
— C90/C270 (Half-peak divergence: 55.8°)

### Clase de eficiencia energética

Este producto contiene una fuente de luz de clase de eficiencia energética E.

### Características Luminotécnicas

Light Output Ratio (LOR)	84 %
Flujo luminoso (fuente)	1383 lm
Flujo luminoso de luminaria	1173 lm
Consumption	12 W
Rendimiento luminoso de las luminarias	97 lm/W
Temperatura de color	4000 K
Standard Deviation of Colour Matching	3 Step MacAdam
Índice de rendimientos cromático	92 Ra

Temperatura estándar del ambiente de servicio -20 / +50°C

### LED Life / Failure Ratio

L70 B10 C0 250000h (at Tj 65 Ta 25 )

### UGR

UGR axial	18.4
UGR transversal	18.6
X=4H   Y=8H	S=0.25H
Reflection factor	70/50/20

### OPTICAL

Óptica C0/C180	56°
Light distribution simmetry	Symmetrical




## Components



		<p>Modus_M Complete</p>	<p><b>Code</b> 84255 - 84257 - 83758 - 83837 - 83759 - 83838 - 84256 - 84258</p>
		<p>Modus_MP Slave</p>	<p><b>Code</b> 83786 - 83742 - 83788 - 83787 - 83789 - 83741 - 83740 - 83743</p>
		<p>Modus_MP Master</p>	<p><b>Code</b> 83783 - 83782 - 83737 - 83785 - 83736 - 83738 - 83784</p>
		<p>Modus_M Master</p>	<p><b>Code</b> <u>83739</u></p>
		<p>Modus_MP Slave Dynamic-White</p>	<p><b>Code</b> 83820 - 83819 - 83821 - 83822 - 83847 - 83848 - 83846 - 83849</p>
		<p>Modus_MP Master Dynamic-White</p>	<p><b>Code</b> 83818 - 83817 - 83816 - 83815 - 83843 - 83842 - 83845 - 83844</p>
		<p>Modus_MC Master</p>	<p><b>Code</b> C00166BBEZZ - C00167BBEZZ - C00168BBEZZ - C00169BBEZZ</p>
		<p>Modus_MS Slave</p>	<p><b>Code</b> C00069BBEZZ - C00069BUEZZ - C00070BBEZZ - C00070BUEZZ - C00071BBEZZ - C00071BUEZZ - C00072BBEZZ - C00072BUEZZ</p>



Sistemas - Elementos lineales | 4 x powerLEDs 12 W DC 24 V | CRI 92  
**83744N60**

## Components

		Modus_MC	<b>Code</b> C00170BBEZZ - C00171BBEZZ - C00172BBEZZ - C00173BBEZZ
--	---	----------	---

		Modus_MS Master	<b>Code</b> C00065BBEZZ - C00065BUEZZ - C00066BBEZZ - C00066BUEZZ - C00067BBEZZ - C00067BUEZZ - C00068BBEZZ - C00068BUEZZ
--	---	-----------------	---