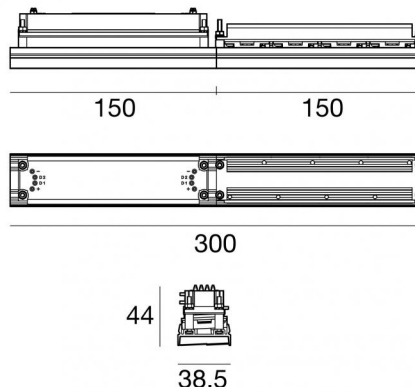


Modus Cell_Ww



Sistemas - Elementos lineales
4 x powerLEDs 12 W DC 24 V | CRI 92
83721N07



Datos técnicos	
Tipo	Sistemas - Elementos lineales
Ambiente de instalación	Interiores
Fuente de luz	LED
Circuit structure	powerLEDs
Óptica	Asymmetric Wallwasher
Light emission direction	downward
Potencia nominal	12 W DC
Flujo luminoso (fuente)	1383 lm
Rango de voltaje de entrada	24 V
CCT / Tone	4000 K
Índice de rendimientos cromático	92 Ra
C.C. / C.V.	CV
Clase de aislamiento	3
IP	IP40
Test del hilo incandescente	850°
Montaje directo sobre superficies normalmente inflamables	No
CE	Sí
Driver incluido.	No
C.V. - C.C. Converter	Convertidor 24V incluido
Artículo regulable	DALI
Orientabilidad	No
Basculación	No
Practicabilidad	No
Transitabilidad	No
Cable incluido.	Sí
Largo del cable	0.25 m
Resinado	No
Tipología de emisión luminosa	Una emisión
Peso neto	0.282 Kg
Protección descargas electrostáticas	No
Protección contra sobretensiones	No

Acabado cuerpo	
Material	Aluminio fundido EN AB - 46100
Color	Blanco
Elaboración	Recubrimiento en polvo
Acabado difusor	
Material	Policarbonato resistente a los rayos UV
Color	romo
Elaboración	Metalización
Cables Electrification	
Cable connector	Easy Plug



Sistemas - Elementos lineales | 4 x powerLEDs 12 W DC 24 V | CRI 92
83721N07

Single emission systems or lines for indoor application. The natural white LED light source with a asymmetric wallwasher light distribution is composed of 4 powerled LEDs with CCT of 4000 K and a CRI 92; the source luminous flux is 1383 lm, with a 115.3 lm/W nominal luminous efficacy.

The device body is made of die-cast aluminium en ab - 46100 and features a white finish, processed by means of powder coating; the diffuser is made of uv resistant polycarbonate with a metallization treatment. The ingress protection degree is IP40; the total weight is of 0.282 kg.

The total absorbed power is 12 W. The power supply cable is included and features a 0.25 m length.

The device features protection class III.

Compliant with the EN 60598-1 standard and its specific provisions.

Clase de eficiencia energética

Este producto contiene una fuente de luz de clase de eficiencia energética E.

Características Luminotécnicas

Light Output Ratio (LOR)	45 %
Flujo luminoso (fuente)	1383 lm
Flujo luminoso de luminaria	634 lm
Consumption	12 W
Rendimiento luminoso de las luminarias	52 lm/W
Temperatura de color	4000 K
Standard Deviation of Colour Matching	3 Step MacAdam
Índice de rendimientos cromático	92 Ra

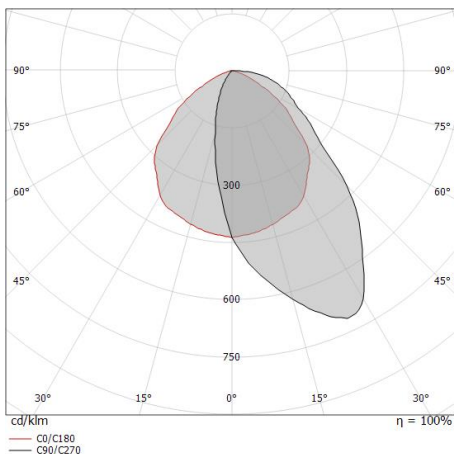
Temperatura estándar del ambiente de servicio -20 / +50°C

LED Life / Failure Ratio

L70 B10 C0 250000h (at Tj 65 Ta 25)

OPTICAL

Óptica C0/C180	99°
Light distribution simmetry	Asymmetrical



Distance [m]	Cone diameter [m]	Beam diameter [m]	E(0°)	E(C0)	Beam diameter [m]
0.5	1.17	0.5	1108	153	0.5
1.0	2.33	1.0	277	38	1.0
1.5	3.50	1.5	123	17	1.5
2.0	4.67	2.0	69	10	2.0
2.5	5.83	2.5	44	6	2.5
3.0	7.00	3.0	31	4	3.0

Distance [m] Cone diameter [m] Illuminance [lx]

— C0/C180 (Half-peak divergence: 98.8°)



Components

		<p>Modus_MP Slave</p>	<p>Code 83786 - 83716 - 83718 - 83788 - 83787 - 83789 - 83717 - 83719</p>
		<p>Modus_MP Master</p>	<p>Code 83783 - 83782 - 83785 - 83714 - 83712 - 83715 - 83784 - 83713</p>
		<p>Modus_MP Slave Dynamic-White</p>	<p>Code 83797 - 83796 - 83798 - 83795 - 83847 - 83846 - 83849 - 83848</p>
		<p>Modus_MP Master Dynamic-White</p>	<p>Code 83794 - 83793 - 83792 - 83791 - 83842 - 83845 - 83843 - 83844</p>
		<p>Modus_MC Master</p>	<p>Code C00166WHEZZ - C00167WHEZZ - C00168WHEZZ - C00169WHEZZ</p>
		<p>Modus_MS Slave</p>	<p>Code C00069BUEZZ - C00069WHEZZ - C00070BUEZZ - C00070WHEZZ - C00071BUEZZ - C00071WHEZZ - C00072BUEZZ - C00072WHEZZ</p>
		<p>Modus_MC</p>	<p>Code C00170WHEZZ - C00171WHEZZ - C00172WHEZZ - C00173WHEZZ</p>
		<p>Modus_MS Master</p>	<p>Code C00065BUEZZ - C00065WHEZZ - C00066BUEZZ - C00066WHEZZ - C00067BUEZZ - C00067WHEZZ - C00068BUEZZ - C00068WHEZZ</p>



Sistemas - Elementos lineales | 4 x powerLEDs 12 W DC 24 V | CRI 92
83721N07

Components
