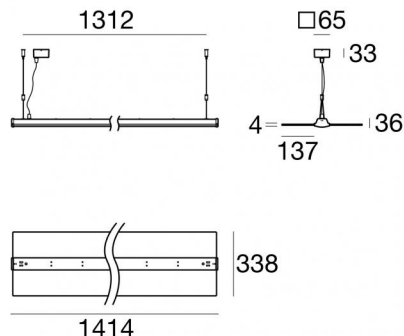




Sistemas - Colgantes | 85-277 V  
450 topLED 46 W DC - 55 W AC | CRI 90  
**82751W00**



| Datos técnicos  |                     |
|---|---------------------|
| Tipo  | - - Superficie      |
| Posición de instalación                                   | Techo               |
| Ambiente de instalación                                   | Interiores          |
| Fuente de luz   | LED                 |
| Circuit structure   | topLED              |
| Óptica  | Double Diffused     |
| Light emission direction                                  | downward and upward |
| Potencia nominal  | 46 W DC             |
| Poder total   | 55 W                |
| Flujo luminoso (fuente)                                   | 5445 lm             |
| Tensión nominal de entrada                                | 220 - 240 V AC      |
| Rango de voltaje de entrada                               | 85 - 277 V AC       |
| Frequency   | 50 - 60 Hz          |
| CCT / Tone  | 3500 K              |
| Índice de rendimientos cromático                          | 90 Ra               |
| C.C. / C.V.   | AC                  |
| Clase de aislamiento                                      | 1                   |
| IP  | IP40                |
| IK  | IK08                |
| Test del hilo incandescente                               | 850°                |
| Montaje directo sobre superficies normalmente inflamables | Sí                  |
| CE  | Sí                  |
| Driver incluido.  | driver              |
| Artículo regulable  | DALI                |
| Orientabilidad  | No                  |
| Basculación   | No                  |
| Practicabilidad   | No                  |
| Transitabilidad   | No                  |
| Cable incluido.   | Sí                  |
| Largo del cable   | 2 m                 |
| Resinado  | No                  |
| Tipología de emisión luminosa                             | Dos emisiones       |
| Protección descargas electrostáticas                      | Sí                  |
| Protección contra sobretensiones                          | Sí                  |

### Acabado cuerpo

|             |          |
|-------------|----------|
| Material    | aluminio |
| Color       | Blanco   |
| Elaboración | Pintura  |

### Acabado difusor

|          |              |
|----------|--------------|
| Material | PMMA         |
| Color    | transparente |

### Cables Colgantes

|                    |         |
|--------------------|---------|
| Longitud máxima de | 1200 mm |
|--------------------|---------|



Sistemas - Colgantes | 85-277 V | 450 topLED 46 W DC - 55 W AC | CRI 90  
**82751W00**

Double emission systems or pendant luminaires for indoor application. The warm white LED light source with a double diffused light distribution is composed of 450 topLED LEDs with CCT of 3500 K and a CRI 90; the source luminous flux is 5445 lm, with a 118.4 lm/W nominal luminous efficacy.

The device body is made of aluminium and features a white finish, processed by means of coating; the diffuser is made of pmma. The ingress protection degree is IP40;

The total absorbed power is 55 W. The power supply cable is included and features a 2 m length.

The device features protection class I and can be ceiling-mounted.

Compliant with the EN 60598-1 standard and its specific provisions.

### Clase de eficiencia energética

Este producto contiene 10 fuentes de luz de clase de eficiencia energética E.

### Características Luminotécnicas

|  |                |
|--|----------------|
| Light Output Ratio (LOR)               | 91 %           |
| Flujo luminoso (fuente)                | 5445 lm        |
| Flujo luminoso de luminaria            | 4970 lm        |
| Consumption                            | 55 W           |
| Rendimiento luminoso de las luminarias | 90 lm/W        |
| Temperatura de color                   | 3500 K         |
| Standard Deviation of Colour Matching  | 3 Step MacAdam |
| Índice de rendimientos cromático       | 90 Ra          |

|   |             |
|---|-------------|
| Temperatura estándar del ambiente de servicio | -20 / +50°C |
| Temperatura típica sobre el vidrio            | 40°C        |

### LED Life / Failure Ratio

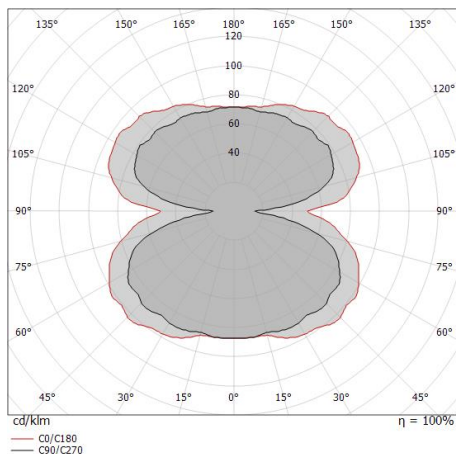
L70 B10 C0 145770h (at Tj 65 Ta 25 )

### UGR

|                   |          |
|-------------------|----------|
| UGR axial         | 18       |
| UGR transversal   | 20.1     |
| X=4H   Y=8H       | S=0.25H  |
| Reflection factor | 70/50/20 |

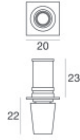
### OPTICAL

|                             |                     |
|-----------------------------|---------------------|
| Óptica C90/C270             | 158°                |
| Óptica C0/C180              | 178°                |
| Light distribution simmetry | Symmetrical 2 assis |



| Distance [m] | Cone diameter [m] | Beam diameter [m] | E(0°) | E(C90) | E(C0) | Illuminance [lx] |
|--------------|-------------------|-------------------|-------|--------|-------|------------------|
| 0.5          | 5.14<br>63.66     | 1.0               | 1739  | 6      | 0     | 1739             |
| 1.0          | 10.29<br>127.31   | 2.0               | 435   | 2      | 0     | 435              |
| 1.5          | 15.43<br>190.97   | 3.0               | 193   | 1      | 0     | 193              |
| 2.0          | 20.58<br>254.63   | 4.0               | 109   | 0      | 0     | 109              |
| 2.5          | 25.72<br>318.28   | 5.0               | 70    | 0      | 0     | 70               |
| 3.0          | 30.87<br>381.94   | 6.0               | 48    | 0      | 0     | 48               |

— C0/C180 (Half-peak divergence: 178.2°)  
 — C90/C270 (Half-peak divergence: 158.0°)



Fijación para falso techo - Blanco

Material:Latón, color:Blanco, elaboración :Pintura.

**Code**

**98428**