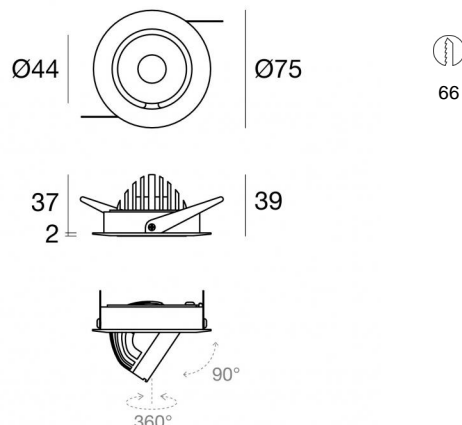




Downlights | 1 x powerLED 4 W DC 350 mA | CRI 90
82740W85





Datos técnicos	
Posición de instalación	Techo
Ambiente de instalación	Interiores
Fuente de luz	LED
Circuit structure	powerLED
Óptica	Adjustable Focus
Light emission direction	downward
Potencia nominal	4 W DC
Flujo luminoso (fuente)	416 lm
Rango de voltaje de entrada	350mA
CCT / Tone	3000 K
Índice de rendimientos cromático	90 Ra
C.C. / C.V.	CC
Clase de aislamiento	3
IP	IP20
Test del hilo incandescente	850°
Montaje directo sobre superficies normalmente inflamables	Sí
CE	Sí
Driver incluido.	No
Artículo regulable	DALI - 1-10V
Orientabilidad	Estraible
ángulo total (plano vertical)	90 °
ángulo total (plano horizontal)	360 °
Basculación	No
Practicabilidad	No
Transitabilidad	No
Cable incluido.	Sí
Largo del cable	0.2 m
Resinado	No
Tipología de emisión luminosa	Una emisión
Peso neto	0.1 Kg
Protección descargas electrostáticas	No
Protección contra sobretensiones	No


Acabado cuerpo

Material	Aluminio fundido EN AB - 46100
Color	Negro
Elaboración	Recubrimiento en polvo

Electrónica

 89145
On/Off Driver 198~264V AC / 180~275V DC (1 art.)

 99375
On/Off Driver 198~264V AC (2 - 3 art.)

 C-E100010
1-10V - 0-10V Controller (1 art.)

 C-E100011
Push and Simply Dim - DALI-2 Controller (1 art.)

Cables Electrification

Cable connector No

Downlights | 1 x powerLED 4 W DC 350 mA | CRI 90 | Ángulo de apertura: 18.2°
 m&aceute;ximo
82740W85

Single emission recessed downlights for indoor application. The warm white LED light source with an adjustable focus light distribution is composed of 1 powerLED LEDs with CCT of 3000 K and a CRI 90; the source luminous flux is 416 lm, with a 104.0 lm/W nominal luminous efficacy.

The device body is made of die-cast aluminium en ab - 46100 and features a black finish, processed by means of powder coating. The ingress protection degree is IP20; the total weight is of 0.1 kg. The power supply driver is not provided and is to be ordered separately.

The total absorbed power is 4 W. The power supply cable is included and features a 0.2 m length.

The device features protection class III and can be ceiling-mounted, with a 66 mm diameter hole (in plasterboard).

Compliant with the EN 60598-1 standard and its specific provisions.

Clase de eficiencia energética

Este producto contiene una fuente de luz de clase de eficiencia energética F.

Características Luminotécnicas

Light Output Ratio (LOR)	23 %
Flujo luminoso (fuente)	416 lm
Flujo luminoso de luminaria	96 lm
Consumption	4 W
Rendimiento luminoso de las luminarias	24 lm/W
Temperatura de color	3000 K
Standard Deviation of Colour Matching	3 Step MacAdam
Índice de rendimientos cromático	90 Ra
Black Body Locus	On
Temperatura estándar del ambiente de servicio	-20 / +50°C
Temperatura típica sobre el vidrio	40°C

LED Life / Failure Ratio

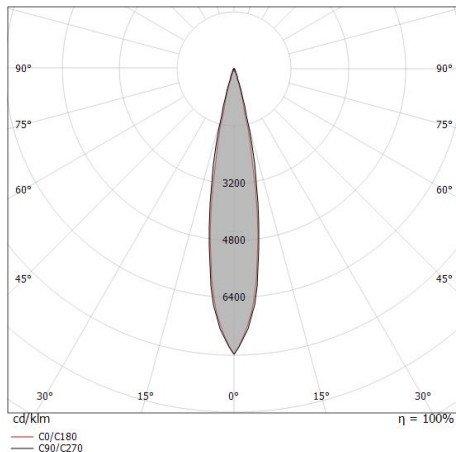
L70 B10 C0 247450h (at Tj 60 Ta 25)

UGR

UGR axial	17.7
UGR transversal	17.6
X=4H Y=8H	S=0.25H
Reflection factor	70/50/20

OPTICAL

Óptica C0/C180	18°
Light distribution symmetry	Symmetrical



Distance [m]	Cone diameter [m]	illuminance [lx]	E(0°)	E(C90)	E(C0)
0.5	0.17 0.16	3039	9.7°	1459	1467
1.0	0.34 0.32	760	9.7°	365	367
1.5	0.51 0.48	338	9.7°	162	163
2.0	0.68 0.64	190	9.7°	91	92
2.5	0.85 0.80	122	9.7°	58	59
3.0	1.03 0.96	84	9.7°	41	41

— C0/C180 (Half-peak divergence: 18.2°)
 — C90/C270 (Half-peak divergence: 19.4°)

COLOR VECTOR GRAPHIC



Downlights | 1 x powerLED 4 W DC 350 mA | CRI 90 | Ángulo de apertura: 13.8° / 13.6°
 Dimensión: 82740W85

Single emission recessed downlights for indoor application. The warm white LED light source with an adjustable focus light distribution is composed of 1 powerLED LEDs with CCT of 3000 K and a CRI 90; the source luminous flux is 416 lm, with a 104.0 lm/W nominal luminous efficacy.

The device body is made of die-cast aluminium en ab - 46100 and features a black finish, processed by means of powder coating. The ingress protection degree is IP20; the total weight is of 0.1 kg. The power supply driver is not provided and is to be ordered separately.

The total absorbed power is 4 W. The power supply cable is included and features a 0.2 m length.

The device features protection class III and can be ceiling-mounted, with a 66 mm diameter hole (in plasterboard).

Compliant with the EN 60598-1 standard and its specific provisions.

Clase de eficiencia energética

Este producto contiene una fuente de luz de clase de eficiencia energética F.

Características Luminotécnicas

Light Output Ratio (LOR)	18 %
Flujo luminoso (fuente)	416 lm
Flujo luminoso de luminaria	76 lm
Consumption	4 W
Rendimiento luminoso de las luminarias	19 lm/W
Temperatura de color	3000 K
Standard Deviation of Colour Matching	3 Step MacAdam
Índice de rendimientos cromático	90 Ra
Black Body Locus	On
Temperatura estándar del ambiente de servicio	-20 / +50°C
Temperatura típica sobre el vidrio	40°C

LED Life / Failure Ratio

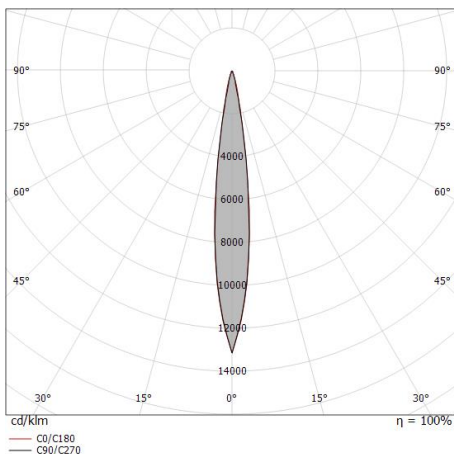
L70 B10 C0 247450h (at Tj 60 Ta 25)

UGR

UGR axial	18.2
UGR transversal	17.5
X=4H Y=8H	S=0.25H
Reflection factor	70/50/20

OPTICAL

Óptica C0/C180	14°
Light distribution symmetry	Symmetrical



Distance [m]	Cone diameter [m]	illuminance [lx]
0.5	0.12 0.12	E(0°) 3948 E(C90) 1955 E(C0) 1957
1.0	0.24 0.24	E(0°) 987 E(C90) 489 E(C0) 489
1.5	0.36 0.36	E(0°) 439 E(C90) 217 E(C0) 217
2.0	0.48 0.48	E(0°) 247 E(C90) 122 E(C0) 122
2.5	0.60 0.61	E(0°) 158 E(C90) 78 E(C0) 78
3.0	0.72 0.73	E(0°) 110 E(C90) 54 E(C0) 54

— C0/C180 (Half-peak divergence: 13.8°)
 — C90/C270 (Half-peak divergence: 13.6°)

COLOR VECTOR GRAPHIC

