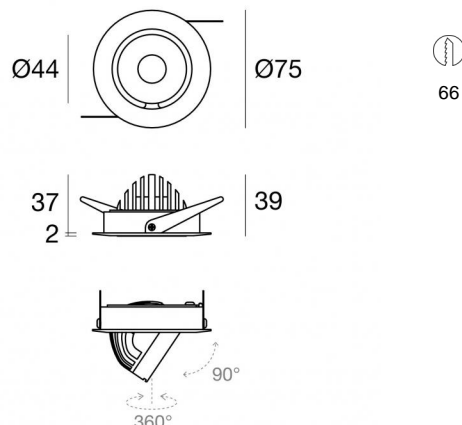




Downlights | 1 x powerLED 4 W DC 350 mA | CRI 90  
82740N85





| Datos técnicos  |                  |
|---|------------------|
| Posición de instalación                                   | Techo            |
| Ambiente de instalación                                   | Interiores       |
| Fuente de luz   | LED              |
| Circuit structure   | powerLED         |
| Óptica  | Adjustable Focus |
| Light emission direction                                  | downward         |
| Potencia nominal  | 4 W DC           |
| Flujo luminoso (fuente)                                   | 449 lm           |
| Rango de voltaje de entrada                               | 350mA            |
| CCT / Tone  | 4000 K           |
| Índice de rendimientos cromático                          | 90 Ra            |
| C.C. / C.V.   | CC               |
| Clase de aislamiento                                      | 3                |
| IP  | IP20             |
| Test del hilo incandescente                               | 850°             |
| Montaje directo sobre superficies normalmente inflamables | Sí               |
| CE  | Sí               |
| Driver incluido.  | No               |
| Artículo regulable  | DALI - 1-10V     |
| Orientabilidad  | Estraible        |
| ángulo total (plano vertical)                             | 90 °             |
| ángulo total (plano horizontal)                           | 360 °            |
| Basculación   | No               |
| Practicabilidad   | No               |
| Transitabilidad   | No               |
| Cable incluido.   | Sí               |
| Largo del cable   | 0.2 m            |
| Resinado  | No               |
| Tipología de emisión luminosa                             | Una emisión      |
| Peso neto   | 0.1 Kg           |
| Protección descargas electrostáticas                      | No               |
| Protección contra sobretensiones                          | No               |


### Acabado cuerpo

|             |                                |
|-------------|--------------------------------|
| Material    | Aluminio fundido EN AB - 46100 |
| Color       | Negro                          |
| Elaboración | Recubrimiento en polvo         |

### Electrónica

 89145  
On/Off Driver 198~264V AC / 180~275V DC (1 art.)

 99375  
On/Off Driver 198~264V AC (2 - 3 art.)

 C-E100010  
1-10V - 0-10V Controller (1 art.)

 C-E100011  
Push and Simply Dim - DALI-2 Controller (1 art.)

### Cables Electrification

Cable connector No

Downlights | 1 x powerLED 4 W DC 350 mA | CRI 90 | Ángulo de apertura: 18.2°  
 m&ace;ximo  
**82740N85**

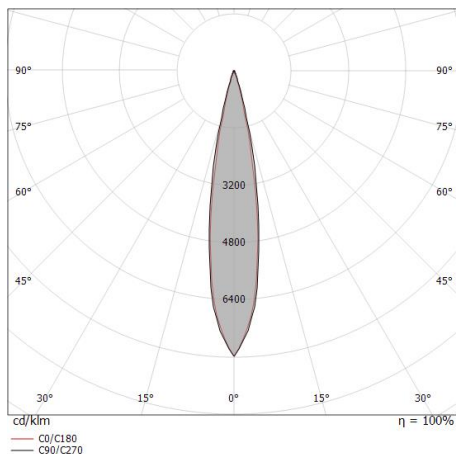
Single emission recessed downlights for indoor application. The natural white LED light source with an adjustable focus light distribution is composed of 1 powerLED LEDs with CCT of 4000 K and a CRI 90; the source luminous flux is 449 lm, with a 112.3 lm/W nominal luminous efficacy.

The device body is made of die-cast aluminium en ab - 46100 and features a black finish, processed by means of powder coating. The ingress protection degree is IP20; the total weight is of 0.1 kg. The power supply driver is not provided and is to be ordered separately.

The total absorbed power is 4 W. The power supply cable is included and features a 0.2 m length.

The device features protection class III and can be ceiling-mounted, with a 66 mm diameter hole (in plasterboard).

Compliant with the EN 60598-1 standard and its specific provisions.



| Distance [m] | Cone diameter [m] | Beam diameter [m] | E(0°) | E(C90) | E(C0) |
|--------------|-------------------|-------------------|-------|--------|-------|
| 0.5          | 0.17<br>0.16      | 3200              | 3277  | 1573   | 1582  |
| 1.0          | 0.34<br>0.32      | 4800              | 819   | 393    | 395   |
| 1.5          | 0.51<br>0.48      | 6400              | 364   | 175    | 176   |
| 2.0          | 0.68<br>0.64      |                   | 205   | 98     | 99    |
| 2.5          | 0.85<br>0.80      |                   | 131   | 63     | 63    |
| 3.0          | 1.03<br>0.96      |                   | 91    | 44     | 44    |

Distance [m]      Cone diameter [m]      Illuminance [lx]

— C0/C180 (Half-peak divergence: 18.2°)  
 — C90/C270 (Half-peak divergence: 19.4°)

### Clase de eficiencia energética

Este producto contiene una fuente de luz de clase de eficiencia energética F.

### Características Luminotécnicas

|   |                |
|---|----------------|
| Light Output Ratio (LOR)                      | 22 %           |
| Flujo luminoso (fuente)                       | 449 lm         |
| Flujo luminoso de luminaria                   | 103 lm         |
| Consumption                                   | 4 W            |
| Rendimiento luminoso de las luminarias        | 25 lm/W        |
| Temperatura de color                          | 4000 K         |
| Standard Deviation of Colour Matching         | 3 Step MacAdam |
| Índice de rendimientos cromático              | 90 Ra          |
| Black Body Locus                              | On             |
| Temperatura estándar del ambiente de servicio | -20 / +50°C    |
| Temperatura típica sobre el vidrio            | 40°C           |

### LED Life / Failure Ratio

L70 B10 C0 247450h (at Tj 60 Ta 25 )

### UGR

|                   |          |
|-------------------|----------|
| UGR axial         | 18       |
| UGR transversal   | 17.9     |
| X=4H   Y=8H       | S=0.25H  |
| Reflection factor | 70/50/20 |

### OPTICAL

|                             |             |
|-----------------------------|-------------|
| Óptica C0/C180              | 18°         |
| Light distribution simmetry | Symmetrical |

### COLOR VECTOR GRAPHIC



Downlights | 1 x powerLED 4 W DC 350 mA | CRI 90 | Ángulo de apertura: 13.8° / 13.6°  
 Dimensión: 66 mm  
**82740N85**

Single emission recessed downlights for indoor application. The natural white LED light source with an adjustable focus light distribution is composed of 1 powerLED LEDs with CCT of 4000 K and a CRI 90; the source luminous flux is 449 lm, with a 112.3 lm/W nominal luminous efficacy.

The device body is made of die-cast aluminium en ab - 46100 and features a black finish, processed by means of powder coating. The ingress protection degree is IP20; the total weight is of 0.1 kg. The power supply driver is not provided and is to be ordered separately.

The total absorbed power is 4 W. The power supply cable is included and features a 0.2 m length.

The device features protection class III and can be ceiling-mounted, with a 66 mm diameter hole (in plasterboard).

Compliant with the EN 60598-1 standard and its specific provisions.

### Clase de eficiencia energética

Este producto contiene una fuente de luz de clase de eficiencia energética F.

### Características Luminotécnicas

|   |                |
|---|----------------|
| Light Output Ratio (LOR)                      | 18 %           |
| Flujo luminoso (fuente)                       | 449 lm         |
| Flujo luminoso de luminaria                   | 81 lm          |
| Consumption                                   | 4 W            |
| Rendimiento luminoso de las luminarias        | 20 lm/W        |
| Temperatura de color                          | 4000 K         |
| Standard Deviation of Colour Matching         | 3 Step MacAdam |
| Índice de rendimientos cromático              | 90 Ra          |
| Black Body Locus                              | On             |
| Temperatura estándar del ambiente de servicio | -20 / +50°C    |
| Temperatura típica sobre el vidrio            | 40°C           |

### LED Life / Failure Ratio

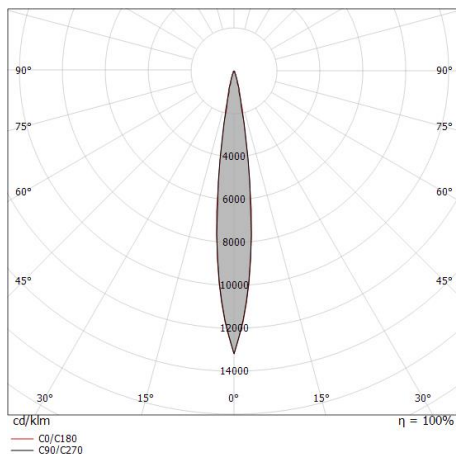
L70 B10 C0 247450h (at Tj 60 Ta 25)

### UGR

|                   |          |
|-------------------|----------|
| UGR axial         | 18.4     |
| UGR transversal   | 17.8     |
| X=4H   Y=8H       | S=0.25H  |
| Reflection factor | 70/50/20 |

### OPTICAL

|                             |             |
|-----------------------------|-------------|
| Óptica C0/C180              | 14°         |
| Light distribution symmetry | Symmetrical |



| Distance [m] | Cone diameter [m] | illuminance [lx]                        |
|--------------|-------------------|---|
| 0.5          | 0.12 / 0.12       | E(0°) 4259<br>E(C90) 2110<br>E(C0) 2111 |
| 1.0          | 0.24 / 0.24       | E(0°) 1065<br>E(C90) 527<br>E(C0) 528   |
| 1.5          | 0.36 / 0.36       | E(0°) 473<br>E(C90) 234<br>E(C0) 235    |
| 2.0          | 0.48 / 0.48       | E(0°) 266<br>E(C90) 132<br>E(C0) 132    |
| 2.5          | 0.60 / 0.61       | E(0°) 170<br>E(C90) 84<br>E(C0) 84      |
| 3.0          | 0.72 / 0.73       | E(0°) 118<br>E(C90) 59<br>E(C0) 59      |

— C0/C180 (Half-peak divergence: 13.8°)  
 — C90/C270 (Half-peak divergence: 13.6°)

### COLOR VECTOR GRAPHIC

