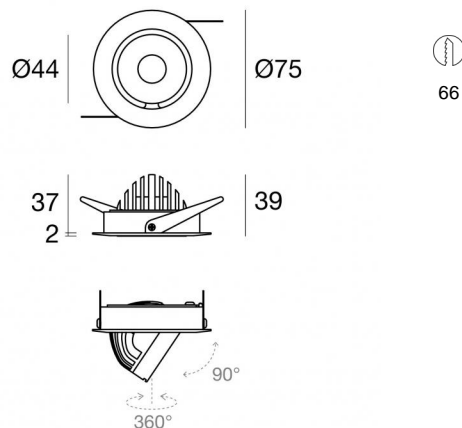




Downlights | 1 x powerLED 4 W DC 350 mA | CRI 90
82740M60




| Datos técnicos | |
|---|--------------|
| Posición de instalación | Techo |
| Ambiente de instalación | Interiores |
| Fuente de luz | LED |
| Circuit structure | powerLED |
| Óptica | Wide Flood |
| Light emission direction | downward |
| Potencia nominal | 4 W DC |
| Flujo luminoso (fuente) | 389 lm |
| Rango de voltaje de entrada | 350mA |
| CCT / Tone | 2700 K |
| Índice de rendimientos cromático | 90 Ra |
| C.C. / C.V. | CC |
| Clase de aislamiento | 3 |
| IP | IP20 |
| Test del hilo incandescente | 850° |
| Montaje directo sobre superficies normalmente inflamables | Sí |
| CE | Sí |
| Driver incluido. | No |
| Artículo regulable | DALI - 1-10V |
| Orientabilidad | Estraible |
| ángulo total (plano vertical) | 90 ° |
| ángulo total (plano horizontal) | 360 ° |
| Basculación | No |
| Practicabilidad | No |
| Transitabilidad | No |
| Cable incluido. | Sí |
| Largo del cable | 0.2 m |
| Resinado | No |
| Tipología de emisión luminosa | Una emisión |
| Peso neto | 0.1 Kg |
| Protección descargas electrostáticas | No |
| Protección contra sobretensiones | No |


Acabado cuerpo

| | |
|-------------|--------------------------------|
| Material | Aluminio fundido EN AB - 46100 |
| Color | Negro |
| Elaboración | Recubrimiento en polvo |

Electrónica

 89145
On/Off Driver 198~264V AC / 180~275V DC (1 art.)

 99375
On/Off Driver 198~264V AC (2 - 3 art.)

 C-E100010
1-10V - 0-10V Controller (1 art.)

 C-E100011
Push and Simply Dim - DALI-2 Controller (1 art.)

Cables Electrification

Cable connector No

Downlights | 1 x powerLED 4 W DC 350 mA | CRI 90
82740M60

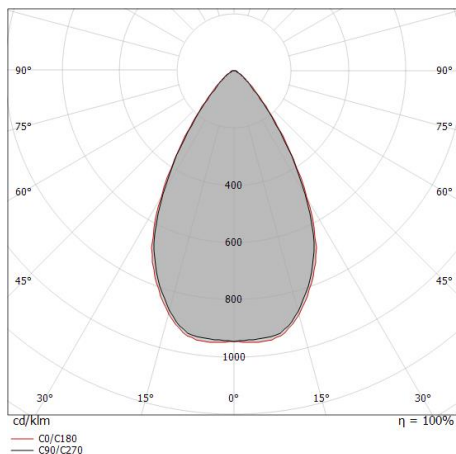
Single emission recessed downlights for indoor application. The super warm white LED light source with a wide flood light distribution is composed of 1 powerLED LEDs with CCT of 2700 K and a CRI 90; the source luminous flux is 389 lm, with a 97.3 lm/W nominal luminous efficacy.

The device body is made of die-cast aluminium en ab - 46100 and features a black finish, processed by means of powder coating. The ingress protection degree is IP20; the total weight is of 0.1 kg. The power supply driver is not provided and is to be ordered separately.

The total absorbed power is 4 W. The power supply cable is included and features a 0.2 m length.

The device features protection class III and can be ceiling-mounted, with a 66 mm diameter hole (in plasterboard).

Compliant with the EN 60598-1 standard and its specific provisions.



| Distance [m] | Cone diameter [m] | illuminance [lx] |
|--------------|-------------------|---------------------------------------|
| 0.5 | 0.59 0.60 | E(0°) 1070 E(C90) 342 E(C0) 341 |
| 1.0 | 1.18 1.20 | E(0°) 267 E(C90) 86 E(C0) 85 |
| 1.5 | 1.77 1.80 | E(0°) 119 E(C90) 38 E(C0) 38 |
| 2.0 | 2.37 2.38 | E(0°) 67 E(C90) 21 E(C0) 21 |
| 2.5 | 2.96 2.99 | E(0°) 43 E(C90) 14 E(C0) 14 |
| 3.0 | 3.55 3.59 | E(0°) 30 E(C90) 10 E(C0) 9 |

Distance [m] Cone diameter [m] illuminance [lx]

— C0/C180 (Half-peak divergence: 61.8°)
 — C90/C270 (Half-peak divergence: 61.2°)

Clase de eficiencia energética

Este producto contiene una fuente de luz de clase de eficiencia energética F.

Características Luminotécnicas

| | |
|---|----------------|
| Light Output Ratio (LOR) | 72 % |
| Flujo luminoso (fuente) | 389 lm |
| Flujo luminoso de luminaria | 283 lm |
| Consumption | 4 W |
| Rendimiento luminoso de las luminarias | 70 lm/W |
| Temperatura de color | 2700 K |
| Standard Deviation of Colour Matching | 3 Step MacAdam |
| Índice de rendimientos cromático | 90 Ra |
| Black Body Locus | On |
| Temperatura estándar del ambiente de servicio | -20 / +50°C |
| Temperatura típica sobre el vidrio | 40°C |

LED Life / Failure Ratio

L70 B10 C0 247450h (at Tj 60 Ta 25)

UGR

| | |
|-------------------|----------|
| UGR axial | 26.3 |
| UGR transversal | 26.4 |
| X=4H Y=8H | S=0.25H |
| Reflection factor | 70/50/20 |

OPTICAL

| | |
|-----------------------------|-------------|
| Óptica C0/C180 | 61° |
| Light distribution symmetry | Symmetrical |

COLOR VECTOR GRAPHIC

