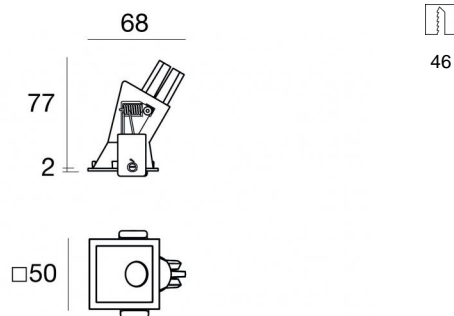
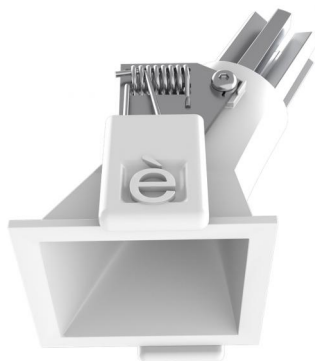




Downlights | 1 x powerLED 3 W DC 1000 mA | CRI 90  
**C01243WHWFL**



Technical data	
Type	Encasement with flange
Installation position	Ceiling
Installation environment	Indoor
Light Source	LED
Circuit structure	powerLED
Optics	Flood
Light emission direction	downward
Nominal power	3 W DC
Source lumens	402 lm
Input voltage range	1000mA
CCT / Tone	3000 K
Colour rendering index	90 Ra
C.C. / C.V.	CC
Safety class	3
IP	IP44
Optical compartment IP	IP65
Glow wire test	850°
Direct mounting on normally flammable surfaces	Yes
CE	Yes
Driver included	No
Dimmable article	DALI - 1-10V
Directional	No
Tilting	No
Walk-over	No
Drive-over	No
Cable included	Yes
Cable length	0.170 m
Resin potting	No
Type of light emission	Single emission
Net weight	0.047 Kg
Electrostatic discharge protection	No
Surge protection	No
Optics technology	F.O.L.
Product technological characteristics	TVS

### Finishing casing

Material	Die-cast Aluminium EN AB - 46100
Colour	White
Processing	Powder coating

### Finishing diffuser

Material	UV Resistant Polycarbonate
Colour	transparent

### Finishing radiator

Material	Die-cast Aluminium EN AB - 46100
Processing	Tumbling

### Electronics

-  C-E100034  
Push and Simply Dim - DALI-2 Controller (4 - 12 art.)
-  C-E100033  
On/Off Driver 198~264V AC / 180~280V DC (4 - 12 art.)
-  C-E100046  
On/Off Driver 100~264V AC / 176~264V DC (1 - 6 art.)
-  C-E100047  
Push and Simply Dim - DALI-2 Controller (1 - 3 art.)

### Cables Electrification

Cable connector	No
-----------------	----

Downlights | 1 x powerLED 3 W DC 1000 mA | CRI 90 | Base  
**C01243WHWFL**

Single emission recessed downlights for indoor application. The warm white LED light source is composed of 1 powerLED LEDs with CCT of 3000 K and a CRI 90; the source luminous flux is 402 lm, with a 134.0 lm/W nominal luminous efficacy.

The device body is made of die-cast aluminium en ab - 46100 and features a white finish, processed by means of powder coating; the diffuser is made of uv resistant polycarbonate. The ingress protection degree is IP44; the total weight is of 0.047 kg. The power supply driver is not provided and is to be ordered separately.

The total absorbed power is 3 W. The power supply cable is included and features a 0.170 m length.

The device features protection class III and can be ceiling-mounted, with a 46 x 46 mm hole (in plasterboard).

Compliant with the EN 60598-1 standard and its specific provisions.

### Energy efficiency class

This product contains a light source of energy efficiency class F.

### Illuminotechnical Features

Light Output Ratio (LOR)	42 %
Source lumens	402 lm
Delivered lumens	170 lm
Consumption	2,0 W
Luminaire efficacy	85 lm/W
Colour temperature	3000 K
Standard Deviation of Colour Matching	3 Step MacAdam
Colour rendering index	90 Ra

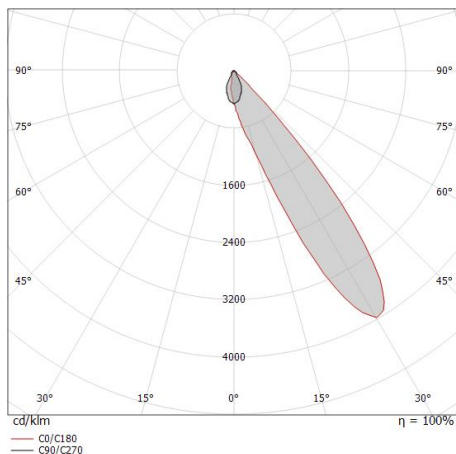
Standard Operating Ambient Temperature	-20 / +50°C
Ordinary temperature on the glass	40°C

### LED Life / Failure Ratio

L70 B20 C0 214455h (at Tj 60 Ta 25 )

### OPTICAL

C90/C270 optics	52°
Light distribution symmetry	Asymmetrical



Distance [m]	Cone diameter [m]	Illuminance [lx]
0.5	0.84	E(0°) 312 E(C90) 14
1.0	1.68	E(0°) 78 E(C90) 3
1.5	2.52	E(0°) 35 E(C90) 2
2.0	3.36	E(0°) 20 E(C90) 1
2.5	4.20	E(0°) 12 E(C90) 1
3.0	5.03	E(0°) 9 E(C90) 0

Distance [m] Cone diameter [m] Illuminance [lx]

— C90/C270 (Half-peak divergence: 80.0°)