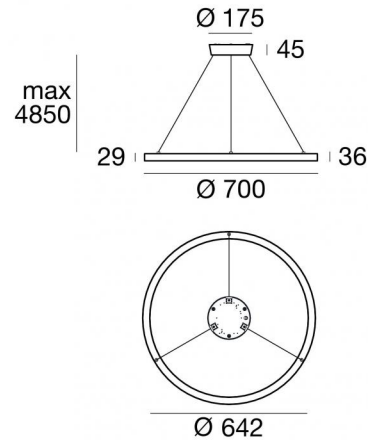


Tour_Slim_PD Complete



Pendant Luminaires | 99-264 V
1008 topLED 41 W DC - 50 W AC | CRI 90
C01058WHWDI



Technical data	
Type	Surface
Installation position	Ceiling
Installation environment	Indoor
Light Source	LED
Circuit structure	topLED
Optics	Diffused
Light emission direction	downward
Nominal power	41 W DC
Total Power	50 W
Source lumens	4541 lm
Nominal input voltage	220 - 240 V AC
Input voltage range	99 - 264 V AC
Frequency	50 - 60 Hz
CCT / Tone	3000 K
Colour rendering index	90 Ra
C.C. / C.V.	AC
Safety class	1
IP	IP40
Glow wire test	No
Direct mounting on normally flammable surfaces	Yes
CE	Yes
Driver included	Driver
Dimmable article	DALI - 1-10V
Directional	No
Tilting	No
Walk-over	No
Drive-over	No
Cable included	Yes
Cable length	4.85 m
Resin potting	No
Type of light emission	Single emission
Net weight	2.7 Kg
Electrostatic discharge protection	Yes
Surge protection	2 KV
Optics technology	Dot free

Finishing casing	
Material	Aluminium 6060
Colour	White
Processing	Powder coating
Finishing diffuser	
Material	Silicone
Colour	opaline
Cables Electrification+suspension	
Max cable length	4850 mm

Tour_Slim_PD Complete



Pendant Luminaires | 99-264 V | 1008 topLED 41 W DC - 50 W AC | CRI 90 | Base
C01058WHWDI

Single emission pendant luminaires for indoor application. The warm white LED light source with a diffused light distribution is composed of 1008 stripled LEDs with CCT of 3000 K and a CRI 90; the source luminous flux is 4541 lm, with a 110.8 lm/W nominal luminous efficacy.

The device body is made of aluminium 6060 and features a white finish, processed by means of powder coating; the diffuser is made of silicone. The ingress protection degree is IP40; the total weight is of 2.7 kg.

The total absorbed power is 50 W. The power supply cable is included and features a 4.85 m length.

The device features protection class I and can be ceiling-mounted.

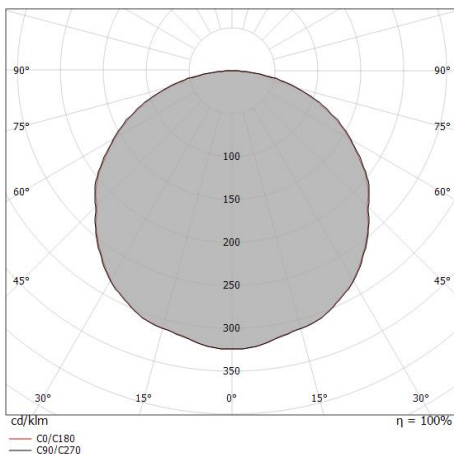
Compliant with the EN 60598-1 standard and its specific provisions.

Illuminotechnical Features	
Light Output Ratio (LOR)	56 %
Source lumens	4541 lm
Delivered lumens	2577 lm
Consumption	50 W
Luminaire efficacy	51 lm/W
Colour temperature	3000 K
Standard Deviation of Colour Matching	3 Step MacAdam
Colour rendering index	90 Ra
Standard Operating Ambient Temperature	
	-20 / +50°C

LED Life / Failure Ratio	
L70 B00 C0 60000h	

UGR	
UGR axial	20.2
UGR transversal	20.1
X=4H Y=8H	S=0.25H
Reflection factor	70/50/20

OPTICAL	
C0/C180 optics	118°
Light distribution symmetry	Symmetrical



Distance [m]	Cone diameter [m]	illuminance [lx]
0.5	1.69 1.66	E(0°) 3345 E(C90) 221 E(C0) 229
1.0	3.38 3.33	E(0°) 836 E(C90) 55 E(C0) 57
1.5	5.07 4.99	E(0°) 372 E(C90) 25 E(C0) 25
2.0	6.76 6.66	E(0°) 209 E(C90) 14 E(C0) 14
2.5	8.45 8.32	E(0°) 134 E(C90) 9 E(C0) 9
3.0	10.15 9.99	E(0°) 93 E(C90) 6 E(C0) 6

— C0/C180 (Half-peak divergence: 118.0°)
 — C90/C270 (Half-peak divergence: 118.8°)