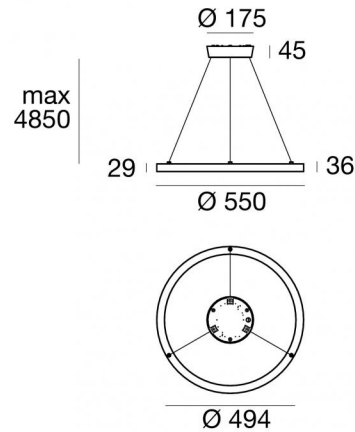


Tour_Slim_PD Complete



Pendant Luminaires | 99-264 V
816 topLED 33 W DC - 40 W AC | CRI 90
C01056HCWDI



Technical data	
Type	Surface
Installation position	Ceiling
Installation environment	Indoor
Light Source	LED
Circuit structure	topLED
Optics	Diffused
Light emission direction	downward
Nominal power	33 W DC
Total Power	40 W
Source lumens	3612 lm
Nominal input voltage	220 - 240 V AC
Input voltage range	99 - 264 V AC
Frequency	50 - 60 Hz
CCT / Tone	3000 K
Colour rendering index	90 Ra
C.C. / C.V.	AC
Safety class	1
IP	IP40
Glow wire test	No
Direct mounting on normally flammable surfaces	Yes
CE	Yes
Driver included	Driver
Dimmable article	DALI
Directional	No
Tilting	No
Walk-over	No
Drive-over	No
Cable included	Yes
Cable length	4.85 m
Resin potting	No
Type of light emission	Single emission
Net weight	2.3 Kg
Electrostatic discharge protection	Yes
Surge protection	2 KV
Optics technology	Dot free

Finishing casing

Material	Aluminium 6060
Colour	copper

Finishing diffuser

Material	Silicone
Colour	opaline

Cables Electrification+suspension

Max cable length	4850 mm
------------------	---------

Tour_Slim_PD Complete



Pendant Luminaires | 99-264 V | 816 topLED 33 W DC - 40 W AC | CRI 90 | Base
C01056HCWDI

Single emission pendant luminaires for indoor application. The warm white LED light source with a diffused light distribution is composed of 816 stripled LEDs with CCT of 3000 K and a CRI 90; the source luminous flux is 3612 lm, with a 109.5 lm/W nominal luminous efficacy.

The device body is made of aluminium 6060 and features a copper finish; the diffuser is made of silicone. The ingress protection degree is IP40; the total weight is of 2.3 kg.

The total absorbed power is 40 W. The power supply cable is included and features a 4.85 m length.

The device features protection class I and can be ceiling-mounted.

Compliant with the EN 60598-1 standard and its specific provisions.

Illuminotechnical Features

Light Output Ratio (LOR)	45 %
Source lumens	3612 lm
Delivered lumens	1638 lm
Consumption	40 W
Luminaire efficacy	40 lm/W
Colour temperature	3000 K
Standard Deviation of Colour Matching	3 Step MacAdam
Colour rendering index	90 Ra
Standard Operating Ambient Temperature	-20 / +50°C

LED Life / Failure Ratio

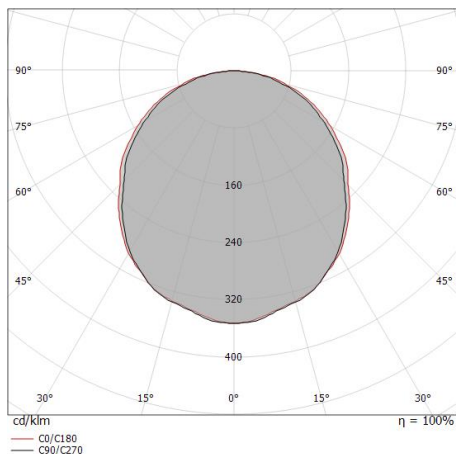
L70 B00 C0 60000h

UGR

UGR transversal	20.2
UGR axial	19.6
X=4H Y=8H	S=0.25H
Reflection factor	70/50/20

OPTICAL

C0/C180 optics	112°
C90/C270 optics	108°
Light distribution simmetry	Symmetrical 2 assis



Distance [m]	Cone diameter [m]	illuminance [lx]
0.5	1.38	E(0°) 2314
	1.48	E(C90) 54.1° 234
		E(C0) 55.9° 204
1.0	2.76	E(0°) 579
	2.95	E(C90) 54.1° 58
		E(C0) 55.9° 51
1.5	4.14	E(0°) 257
	4.43	E(C90) 54.1° 26
		E(C0) 55.9° 23
2.0	5.53	E(0°) 145
	5.91	E(C90) 54.1° 15
		E(C0) 55.9° 13
2.5	6.91	E(0°) 93
	7.38	E(C90) 54.1° 9
		E(C0) 55.9° 8
3.0	8.29	E(0°) 64
	8.86	E(C90) 54.1° 6
		E(C0) 55.9° 6

— C0/C180 (Half-peak divergence: 111.8°)
 — C90/C270 (Half-peak divergence: 108.2°)