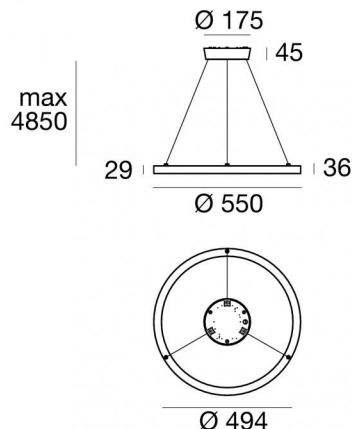
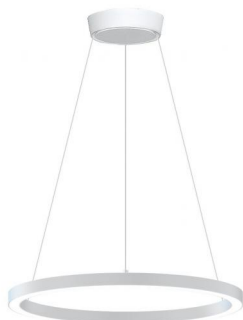


Tour_Slim_PD Complete



Pendant Luminaires | 198-264 V
816 topLED 33 W DC - 40 W AC | CRI 90
C01055WHMDI



Technical data	
Type	Surface
Installation position	Ceiling
Installation environment	Indoor
Light Source	LED
Circuit structure	topLED
Optics	Diffused
Light emission direction	downward
Nominal power	33 W DC
Total Power	40 W
Source lumens	3432 lm
Nominal input voltage	220 - 240 V AC
Input voltage range	198 - 264 V AC
Frequency	50 - 60 Hz
CCT / Tone	2700 K
Colour rendering index	90 Ra
C.C. / C.V.	AC
Safety class	1
IP	IP40
Glow wire test	No
Direct mounting on normally flammable surfaces	Yes
CE	Yes
Driver included	Driver
Dimmable article	PUSH DIM - Phase cut
Directional	No
Tilting	No
Walk-over	No
Drive-over	No
Cable included	Yes
Cable length	4.85 m
Resin potting	No
Type of light emission	Single emission
Net weight	2.3 Kg
Electrostatic discharge protection	Yes
Surge protection	2 KV
Optics technology	Dot free

Finishing casing	
Material	Aluminium 6060
Colour	White
Processing	Powder coating
Finishing diffuser	
Material	Silicone
Colour	opaline
Cables Electrification+suspension	
Max cable length	4850 mm

Tour_Slim_PD Complete



Pendant Luminaires | 198-264 V | 816 topLED 33 W DC - 40 W AC | CRI 90 | Base
C01055WHMDI

Single emission pendant luminaires for indoor application. The super warm white LED light source with a diffused light distribution is composed of 816 stripled LEDs with CCT of 2700 K and a CRI 90; the source luminous flux is 3432 lm, with a 104.0 lm/W nominal luminous efficacy.

The device body is made of aluminium 6060 and features a white finish, processed by means of powder coating; the diffuser is made of silicone. The ingress protection degree is IP40; the total weight is of 2.3 kg.

The total absorbed power is 40 W. The power supply cable is included and features a 4.85 m length.

The device features protection class I and can be ceiling-mounted.

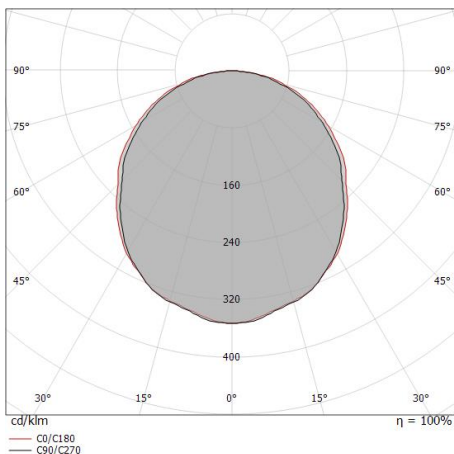
Compliant with the EN 60598-1 standard and its specific provisions.

Illuminotechnical Features	
Light Output Ratio (LOR)	53 %
Source lumens	3432 lm
Delivered lumens	1848 lm
Consumption	40 W
Luminaire efficacy	46 lm/W
Colour temperature	2700 K
Standard Deviation of Colour Matching	3 Step MacAdam
Colour rendering index	90 Ra
Standard Operating Ambient Temperature	
	-20 / +50°C

LED Life / Failure Ratio	
L70 B00 C0 60000h	

UGR	
UGR axial	20.1
UGR transversal	20.6
X=4H Y=8H	S=0.25H
Reflection factor	70/50/20

OPTICAL	
C90/C270 optics	108°
C0/C180 optics	112°
Light distribution symmetry	Symmetrical 2 axis



Distance [m]	Cone diameter [m]	illuminance [lx]
0.5	1.38	E(0°) 2611
	1.48	E(C90) 54.1° 264
		E(C0) 55.9° 231
1.0	2.76	E(0°) 653
	2.95	E(C90) 54.1° 66
		E(C0) 55.9° 58
1.5	4.14	E(0°) 290
	4.43	E(C90) 54.1° 29
		E(C0) 55.9° 26
2.0	5.53	E(0°) 163
	5.91	E(C90) 54.1° 16
		E(C0) 55.9° 14
2.5	6.91	E(0°) 104
	7.38	E(C90) 54.1° 11
		E(C0) 55.9° 9
3.0	8.29	E(0°) 73
	8.86	E(C90) 54.1° 7
		E(C0) 55.9° 6

Distance [m] Cone diameter [m] illuminance [lx]

— C0/C180 (Half-peak divergence: 111.8°)
— C90/C270 (Half-peak divergence: 108.2°)