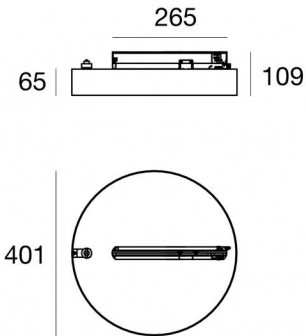


Skylum_R Track Comfort



Projectors | 176-264 V | 144 topLED 19 W DC - 22 W AC | CRI 90
C00905BBNDI



Technical data	
Type	Track
Installation position	Ceiling
Installation environment	Indoor
Light Source	LED
Circuit structure	topLED
Optics	Diffused
Light emission direction	downward
Nominal power	19 W DC
Total Power	22 W
Source lumens	3326 lm
Nominal input voltage	220 - 240 V AC
Input voltage range	176 - 264 V AC
Frequency	50 - 60 Hz
CCT / Tone	4000 K
Colour rendering index	90 Ra
C.C. / C.V.	AC
Safety class	2
IP	IP40
Glow wire test	850°
Direct mounting on normally flammable surfaces	Yes
CE	Yes
Driver included	Driver
Dimmable article	DALI-2 - PUSH DIM
Directional	No
Tilting	No
Walk-over	No
Drive-over	No
Cable included	No
Resin potting	No
Type of light emission	Single emission
Net weight	2.4 Kg
Electrostatic discharge protection	Yes
Surge protection	2 KV
Optics technology	UGR filter

Finishing casing	
Material	Aluminium 6060
Colour	Black
Processing	Powder coating
Finishing diffuser	
Material	Technical fabric
Colour	Opal white

Skylum_R Track Comfort



Projectors | 176-264 V | 144 topLED 19 W DC - 22 W AC | CRI 90 | Base
C00905BBNDI

Single emission projectors for indoor application. The natural white LED light source with a diffused light distribution is composed of 144 topLED LEDs with CCT of 4000 K and a CRI 90; the source luminous flux is 3326 lm, with a 175.1 lm/W nominal luminous efficacy.

The device body is made of aluminium 6060 and features a black finish, processed by means of powder coating; the diffuser is made of technical fabric. The ingress protection degree is IP40; the total weight is of 2.4 kg.

The total absorbed power is 22 W.

The device features protection class II and can be ceiling-mounted.

Compliant with the EN 60598-1 standard and its specific provisions.

Energy efficiency class

This product contains a light source of energy efficiency class D.

Illuminotechnical Features

Light Output Ratio (LOR)	72 %
Source lumens	3326 lm
Delivered lumens	2408 lm
Consumption	22 W
Luminaire efficacy	109 lm/W
Colour temperature	4000 K
Standard Deviation of Colour Matching	3 Step MacAdam
Colour rendering index	90 Ra
Standard Operating Ambient Temperature	-20 / +50°C

LED Life / Failure Ratio

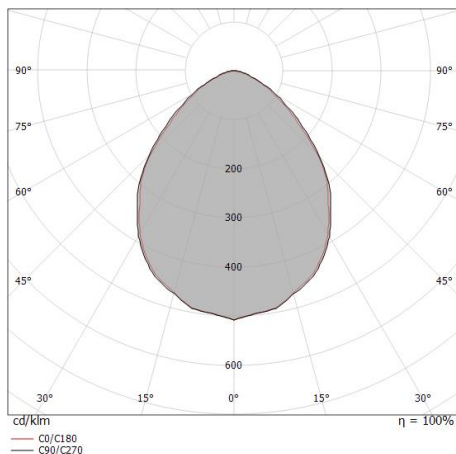
L70 B10 C0 145770h (at Tj 65 Ta 25)

UGR

UGR axial	19
UGR transversal	18.9
X=4H Y=8H	S=0.25H
Reflection factor	70/50/20

OPTICAL

C0/C180 optics	87°
Light distribution simmetry	Symmetrical



Distance [m]	Cone diameter [m]	illuminance [lx]
0.5	0.97 0.96	E(0°) 4895 E(C90) 903 E(C0) 927
1.0	1.94 1.91	E(0°) 1224 E(C90) 226 E(C0) 232
1.5	2.92 2.87	E(0°) 544 E(C90) 100 E(C0) 103
2.0	3.89 3.82	E(0°) 306 E(C90) 56 E(C0) 58
2.5	4.86 4.78	E(0°) 196 E(C90) 36 E(C0) 37
3.0	5.83 5.73	E(0°) 136 E(C90) 25 E(C0) 26

Distance [m] Cone diameter [m] illuminance [lx]

— C0/C180 (Half-peak divergence: 87.4°)
 — C90/C270 (Half-peak divergence: 88.4°)