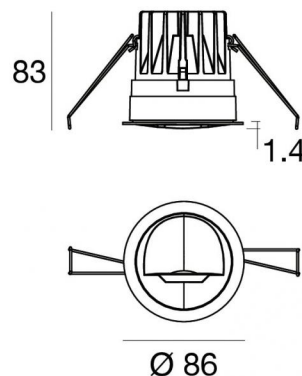


Modoc_R Ww



Downlights | 1 arrayLED 10 W DC 300 mA | CRI 80
C00786BBAWW



76

Technical data

Type	Encasement with flange
Installation position	Ceiling
Installation environment	Indoor
Light Source	LED
Circuit structure	arrayLED
Optics	Asymmetric Wallwasher
Light emission direction	downward
Nominal power	10 W DC
Source lumens	1570 lm
Input voltage range	300mA
CCT / Tone	2200 K
Colour rendering index	80 Ra
C.C. / C.V.	CC
Safety class	3
IP	IP20
Glow wire test	850°
Direct mounting on normally flammable surfaces	Yes
CE	Yes
Driver included	No
Dimmable article	DALI - 1-10V
Directional	No
Tilting	No
Walk-over	No
Drive-over	No
Cable included	Yes
Cable length	0.3 m
Resin potting	No
Type of light emission	Single emission
Net weight	0.218 Kg
Electrostatic discharge protection	No
Surge protection	No

Finishing casing

Material	Technopolymer
Colour	Black
Processing	Coating


Finishing diffuser


Material	UV Resistant Polycarbonate
Colour	transparent

Finishing radiator

Material	Die-cast Aluminium
Colour	Aluminium
Processing	Tumbling

Electronics

 99734
Multi Power 198~264V AC / 180~275V DC (1 art.)

 99732
1-10V Multi Power 198~264V AC / 180~275V DC (1 art.)

 83322
Push and Simply Dim - DALI-2 Controller (1 art.)



Downlights | 1 arrayLED 10 W DC 300 mA | CRI 80 | Base
C00786BBAWW

Single emission recessed downlights for indoor application. The ancient white LED light source with a asymmetric wallwasher light distribution is composed of 1 arrayed LEDs with CCT of 2200 K and a CRI 80; the source luminous flux is 1570 lm, with a 157.0 lm/W nominal luminous efficacy.

The device body is made of technopolymer and features a black finish, processed by means of coating; the diffuser is made of uv resistant polycarbonate. The ingress protection degree is IP20; the total weight is of 0.218 kg. The power supply driver is not provided and is to be ordered separately.

The total absorbed power is 10 W. The power supply cable is included and features a 0.3 m length.

The device features protection class III and can be ceiling-mounted, with a 76 mm diameter hole (in plasterboard) with an outer casing, code 89374(for concrete or masonry).

Compliant with the EN 60598-1 standard and its specific provisions.

Energy efficiency class

This product contains a light source of energy efficiency class E.

Illuminotechnical Features

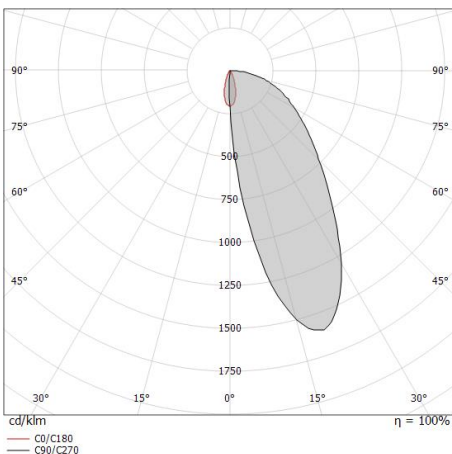
Light Output Ratio (LOR)	32 %
Source lumens	1570 lm
Delivered lumens	515 lm
Consumption	10 W
Luminaire efficacy	51 lm/W
Colour temperature	2200 K
Standard Deviation of Colour Matching	3 Step MacAdam
Colour rendering index	80 Ra
Standard Operating Ambient Temperature	-20 / +50°C
Ordinary temperature on the glass	40°C

LED Life / Failure Ratio

L70 B10 C0 252000h (at Tj 65 Ta 25)

OPTICAL

C0/C180 optics	35°
Light distribution simmetry	Asymmetrical



Distance [m]	Cone diameter [m]	Illuminance [lx]
0.5	0.31	E(0°) 427 E(C0) 187
1.0	0.63	E(0°) 107 E(C0) 47
1.5	0.94	E(0°) 47 E(C0) 21
2.0	1.25	E(0°) 27 E(C0) 12
2.5	1.57	E(0°) 17 E(C0) 7
3.0	1.88	E(0°) 12 E(C0) 5

Distance [m] Cone diameter [m] Illuminance [lx]
— C0/C180 (Half-peak divergence: 34.8°)



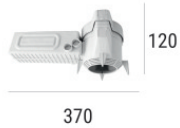
Outer casing

installation position: ceiling; type of installation: masonry L=200mm, H=113mm, D=137mm.

Material:polypropylene, colour:white.

Code

89373



Outer casing

installation position: ceiling; type of installation: masonry L=370mm, H=120mm, D=200mm.

Material:polypropylene, colour:white.

Code

89374