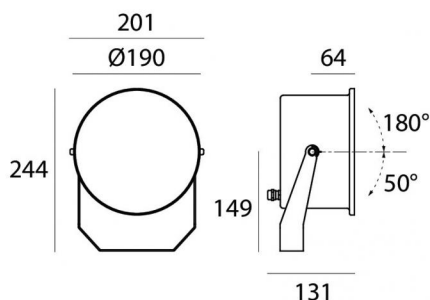




Projectors | 198-264 V AC /220-240 V DC
1 arrayLED 25 W DC - 26.5 W AC | CRI 80



C00776SEMFL



Technical data

Type	Surface
Installation position	Wall lights - Ceiling - Floor
Installation environment	Outdoor
Light Source	LED
Circuit structure	arrayLED
Optics	Flood
Light emission direction	frontal
Nominal power	25 W DC
Total Power	26.5 W
Source lumens	3851 lm
Nominal input voltage	220 - 240 V AC
Input voltage range	198 - 264 V AC
Frequency	50 - 60 Hz
CCT / Tone	2700 K
Colour rendering index	80 Ra
C.C. / C.V.	AC
Safety class	2
IP	IP68
Installation limitations	Not for underwater use
IK	IK10
Glow wire test	850°
Direct mounting on normally flammable surfaces	Yes
CE	Yes
Driver included	Driver
Dimmable article	DALI-2 - PUSH DIM
Directional	Swivelling
total angle (vertical plane)	230 °
Tilting	No
Walk-over	No
Drive-over	No
Cable included	Yes
Cable length	1 m
Resin potting	Yes
Type of light emission	Single emission
Net weight	2.4 Kg
Electrostatic discharge protection	Yes
Surge protection	1 KV
Optics technology	Honey comb

Finishing casing

Material	AISI 316 steel
Colour	steel
Processing	electropolishing

Finishing diffuser

Material	Extra clear glass - Tempered
Colour	transparent
Processing	Silk-screening

Finishing bracket

Material	AISI 316 steel
Colour	steel



Projectors | 198-264 V AC /220-240 V DC | 1 arrayLED 25 W DC - 26.5 W AC | CRI 80 | Base
C00776SEMFL

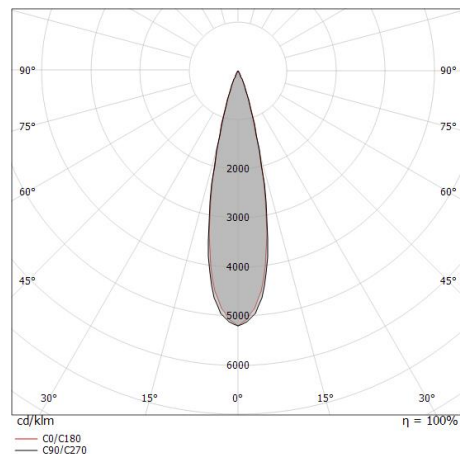
Single emission projectors for outdoor application. The super warm white LED light source with a flood light distribution is composed of 1 arrayed LEDs with CCT of 2700 K and a CRI 80; the source luminous flux is 3851 lm, with a 154.0 lm/W nominal luminous efficacy.

The device body is made of aisi 316 steel and features a steel finish, processed by means of electropolishing; the diffuser is made of extra clear glass - tempered with a silk-screening treatment. The ingress protection degree is IP68; the total weight is of 2.4 kg.

The total absorbed power is 26.5 W. The power supply cable is included and features a 1 m length.

The device features protection class II and can be wall lights, ceiling or floor-mounted.

Compliant with the EN 60598-1 standard and its specific provisions.



Distance [m]	Cone diameter [m]	illuminance [lx]
0.5	0.22 0.21	E(0°) 48433 E(C90) 12.3° 22793 E(C0) 12.1° 22720
1.0	0.44 0.43	E(0°) 12108 E(C90) 12.3° 5698 E(C0) 12.1° 5680
1.5	0.65 0.64	E(0°) 5381 E(C90) 12.3° 2533 E(C0) 12.1° 2524
2.0	0.87 0.86	E(0°) 3027 E(C90) 12.3° 1425 E(C0) 12.1° 1420
2.5	1.09 1.07	E(0°) 1937 E(C90) 12.3° 912 E(C0) 12.1° 909
3.0	1.31 1.29	E(0°) 1345 E(C90) 12.3° 633 E(C0) 12.1° 631

Distance [m] Cone diameter [m] illuminance [lx]

— C0/C180 (Half-peak divergence: 24.2°)
 — C90/C270 (Half-peak divergence: 24.6°)

Energy efficiency class

This product contains a light source of energy efficiency class E.

Illuminotechnical Features

Light Output Ratio (LOR)	60 %
Source lumens	3851 lm
Delivered lumens	2326 lm
Consumption	26.5 W
Luminaire efficacy	87 lm/W
Colour temperature	2700 K
Standard Deviation of Colour Matching	2 Step MacAdam
Colour rendering index	80 Ra
Standard Operating Ambient Temperature	-20 / +50°C
Ordinary temperature on the glass	45°C

LED Life / Failure Ratio

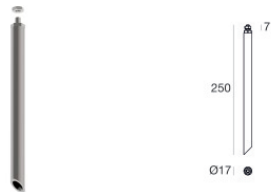
L70 B10 C0 252000h (at Tj 65 Ta 25)

UGR

UGR axial	6.8
UGR transversal	7.1
X=4H Y=8H	S=0.25H
Reflection factor	70/50/20

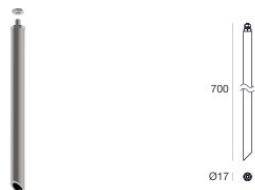
OPTICAL

C0/C180 optics	24°
Light distribution simmetry	Symmetrical



Picket - L. 250mm
 installation position: land,Cover material: aisi 304 steel

Code
84890



Picket - L. 700mm
 installation position: land,Cover material: aisi 304 steel

Code
98112



Picket
 installation position: land,Cover material: pc

Code
98549



Picket - L. 1000mm
 installation position: land,Cover material: aisi 304 steel

Code
C-F500001