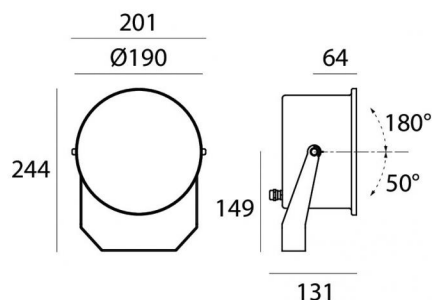




Projectors | 198-264 V
1 arrayLED 25 W DC - 26.5 W AC | CRI 80
C00773SEWSP



Technical data

Type	Surface
Installation position	Wall lights - Ceiling - Floor
Installation environment	Outdoor
Light Source	LED
Circuit structure	arrayLED
Optics	Spot
Light emission direction	frontal
Nominal power	25 W DC
Total Power	26.5 W
Source lumens	4011 lm
Nominal input voltage	220 - 240 V AC
Input voltage range	198 - 264 V AC
Frequency	50 - 60 Hz
CCT / Tone	3000 K
Colour rendering index	80 Ra
C.C. / C.V.	AC
Safety class	2
IP	IP68
Installation limitations	Not for underwater use
IK	IK10
Glow wire test	850°
Direct mounting on normally flammable surfaces	Yes
CE	Yes
Driver included	Driver
Dimmable article	No
Directional	Swivelling
total angle (vertical plane)	230 °
Tilting	No
Walk-over	No
Drive-over	No
Cable included	Yes
Cable length	1 m
Resin potting	Yes
Type of light emission	Single emission
Net weight	2.4 Kg
Electrostatic discharge protection	Yes
Surge protection	2 KV
Product technological characteristics	Acquastop

Finishing casing

Material	AISI 316 steel
Colour	steel
Processing	electropolishing

Finishing diffuser

Material	Extra clear glass - Tempered
Colour	transparent
Processing	Silk-screening

Finishing bracket

Material	AISI 316 steel
Colour	steel



Projectors | 198-264 V | 1 arrayLED 25 W DC - 26.5 W AC | CRI 80 | Base C00773SEWSP

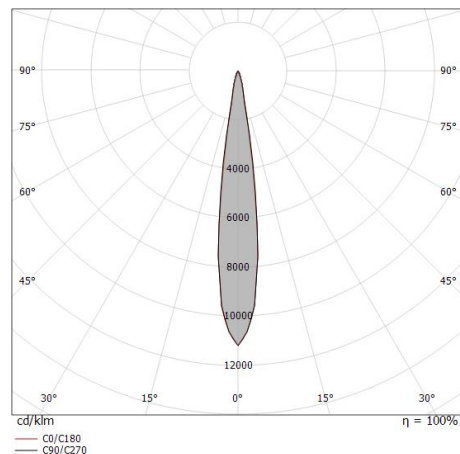
Single emission projectors for outdoor application. The warm white LED light source with a spot light distribution is composed of 1 arrayed LEDs with CCT of 3000 K and a CRI 80; the source luminous flux is 4011 lm, with a 160.4 lm/W nominal luminous efficacy.

The device body is made of aisi 316 steel and features a steel finish, processed by means of electropolishing; the diffuser is made of extra clear glass - tempered with a silk-screening treatment. The ingress protection degree is IP68; the total weight is of 2.4 kg.

The total absorbed power is 26.5 W. The power supply cable is included and features a 1 m length.

The device features protection class II and can be wall lights, ceiling or floor-mounted.

Compliant with the EN 60598-1 standard and its specific provisions.



Distance [m]	Cone diameter [m]	illuminance [lx]
0.5	0.13 0.13	E(0°) 130075 E(C90) 7.5° 63900 E(C0) 7.4° 64644
1.0	0.26 0.26	E(0°) 32519 E(C90) 7.5° 15975 E(C0) 7.4° 16161
1.5	0.39 0.39	E(0°) 14453 E(C90) 7.5° 7100 E(C0) 7.4° 7183
2.0	0.52 0.52	E(0°) 8130 E(C90) 7.5° 3994 E(C0) 7.4° 4040
2.5	0.66 0.65	E(0°) 5203 E(C90) 7.5° 2556 E(C0) 7.4° 2586
3.0	0.79 0.78	E(0°) 3613 E(C90) 7.5° 1775 E(C0) 7.4° 1796

— C0/C180 (Half-peak divergence: 14.8°)
— C90/C270 (Half-peak divergence: 15.0°)

Energy efficiency class

This product contains a light source of energy efficiency class E.

Illuminotechnical Features

Light Output Ratio (LOR)	72 %
Source lumens	4011 lm
Delivered lumens	2904 lm
Consumption	26.5 W
Luminaire efficacy	109 lm/W
Colour temperature	3000 K
Standard Deviation of Colour Matching	2 Step MacAdam
Colour rendering index	80 Ra
Standard Operating Ambient Temperature	-20 / +50°C
Ordinary temperature on the glass	45°C

LED Life / Failure Ratio

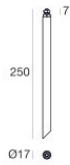
L70 B10 C0 252000h (at Tj 65 Ta 25)

UGR

UGR axial	13.1
UGR transversal	13.1
X=4H Y=8H	S=0.25H
Reflection factor	70/50/20

OPTICAL

C0/C180 optics	15°
Light distribution simmetry	Symmetrical



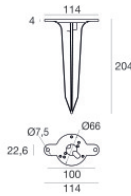
Picket - L. 250mm
 installation position: land,Cover material: aisi 304 steel

Code
84890



Picket - L. 700mm
 installation position: land,Cover material: aisi 304 steel

Code
98112



Picket
 installation position: land,Cover material: pc

Code
98549



Picket - L. 1000mm
 installation position: land,Cover material: aisi 304 steel

Code
C-F500001