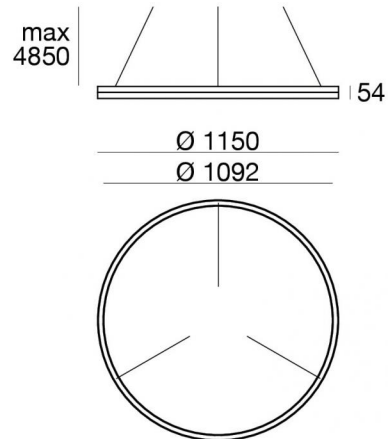


Tour Slim_D



Pendant Luminaires | 2 topLED 108 W DC 24 V
CRI 90

C00666HGND



Technical data	
Type	Surface
Installation position	Ceiling
Installation environment	Indoor
Light Source	LED
Circuit structure	topLED
Optics	Double Diffused
Light emission direction	downward and upward
Nominal power	108 W DC
Source lumens	14406 lm
Input voltage range	24V
CCT / Tone	4000 K
Colour rendering index	90 Ra
C.C. / C.V.	CV
Safety class	3
IP	IP40
Glow wire test	No
Direct mounting on normally flammable surfaces	Yes
CE	Yes
Driver included	No
Dimmable article	DALI - 1-10V
Directional	No
Tilting	No
Walk-over	No
Drive-over	No
Cable included	Yes
Cable length	4.85 m
Resin potting	No
Type of light emission	Double emission
Net weight	6 Kg
Electrostatic discharge protection	No
Surge protection	No
Optics technology	Dot free

Finishing casing

Material	Aluminium 6060
Colour	gold

Finishing diffuser

Material	UV Resistant Polycarbonate
Colour	opaline

Electronics

	99332 1-10V Controller (1 art.)
	99374 On/Off Driver 198~264V AC / 176~275V DC 75 W (1 art.)
	99722 DALI Controller 90~305V AC / 127~431V DC 120 W (1 art.)
	83333 Push and Simply Dim - DALI-2 Controller (1 art.)
	C-E400002 Push and Simply Dim - DALI-2 Controller (1 - 2 art.)



Pendant Luminaires | 2 topLED 108 W DC 24 V | CRI 90 | Base C00666HGND

Energy efficiency class

This product contains 2 light sources of energy efficiency class F.

Illuminotechnical Features

Light Output Ratio (LOR)	46 %
Source lumens	14406 lm
Delivered lumens	6710 lm
Consumption	108 W
Luminaire efficacy	62 lm/W
Colour temperature	4000 K
Standard Deviation of Colour Matching	3 Step MacAdam
Colour rendering index	90 Ra
Standard Operating Ambient Temperature	-20 / +50°C

LED Life / Failure Ratio

L70 B10 C0 50000h

UGR

UGR axial	15.1
UGR transversal	15.1
X=4H Y=8H	S=0.25H
Reflection factor	70/50/20

OPTICAL

C0/C180 optics	134°
Light distribution symmetry	Symmetrical

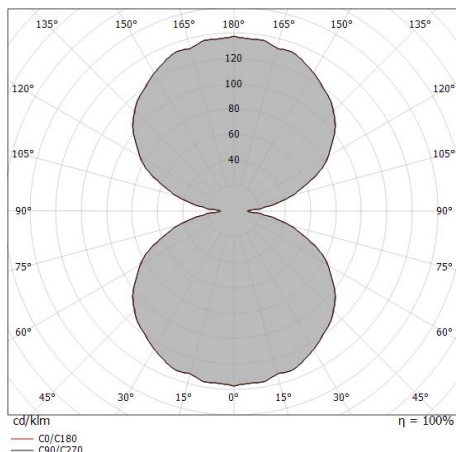
Double emission pendant luminaires for indoor application. The natural white LED light source with a double diffused light distribution is composed of 1218 stripled LEDs with CCT of 4000 K and a CRI 90; the source luminous flux is 14406 lm, with a 133.4 lm/W nominal luminous efficacy.

The device body is made of aluminium 6060 and features a gold finish; the diffuser is made of uv resistant polycarbonate. The ingress protection degree is IP40; the total weight is of 6 kg. The power supply driver is not provided and is to be ordered separately.

The total absorbed power is 108 W. The power supply cable is included and features a 4.85 m length.

The device features protection class III and can be ceiling-mounted.

Compliant with the EN 60598-1 standard and its specific provisions.

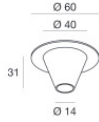


Distance [m]	Cone diameter [m]	illuminance [lx]
0.5	2.34 2.36	E(0°) 3678 E(C90) 111 E(C0) 110
1.0	4.69 4.71	E(0°) 919 E(C90) 28 E(C0) 27
1.5	7.03 7.07	E(0°) 409 E(C90) 12 E(C0) 12
2.0	9.38 9.42	E(0°) 230 E(C90) 7 E(C0) 7
2.5	11.72 11.78	E(0°) 147 E(C90) 4 E(C0) 4
3.0	14.07 14.14	E(0°) 102 E(C90) 3 E(C0) 3

— C0/C180 (Half-peak divergence: 134.0°)
- - C90/C270 (Half-peak divergence: 133.8°)



Tour Slim_D | Pendant Luminaires | Accessories
C00666HGND

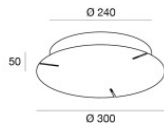


Suspensions

Material:Aluminium 6060, colour:gold.

Code

64189

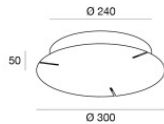


Ceiling rose - 3-wire rosette | 220-240 V AC On-Off Max 75 W + 75 W

Driver included: Yes; Power Supply Management Protocol: On/off; Maximum power: 75+75W.

Code

C-F300011



Ceiling rose - 3-wire rosette | 220-240 V AC DALI Push Max 75 W + 75 W

Driver included: Yes; Power Supply Management Protocol: Dali; Maximum power: 75+75W.

Code

C-F300019