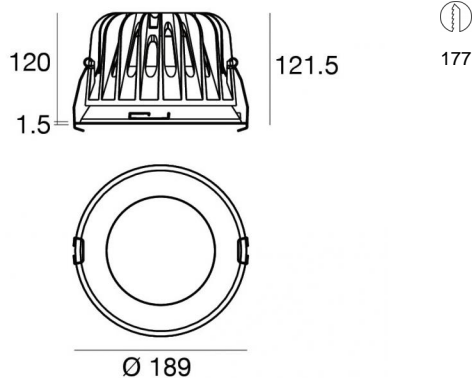


Modoc_R



Downlights | 1 arrayLED 37 W DC 1100 mA | CRI 90
C00583WHWML



Technical data

Type	Encasement with flange
Installation position	Ceiling
Installation environment	Indoor
Light Source	LED
Circuit structure	arrayLED
Optics	Medium Flood
Light emission direction	downward
Nominal power	37 W DC
Source lumens	6249 lm
Input voltage range	1100mA
CCT / Tone	3000 K
Colour rendering index	90 Ra
C.C. / C.V.	CC
Safety class	3
IP	IP20
Optical compartment IP	IP65
Glow wire test	850°
Direct mounting on normally flammable surfaces	Yes
CE	Yes
Driver included	No
Dimmable article	DALI - 1-10V
Directional	No
Tilting	No
Walk-over	No
Drive-over	No
Cable included	Yes
Cable length	0.3 m
Resin potting	No
Type of light emission	Single emission
Net weight	1.189 Kg
Electrostatic discharge protection	No
Surge protection	No

Finishing casing

Material	Technopolymer
Colour	white

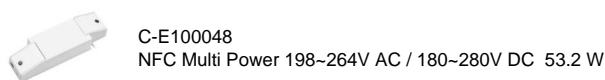
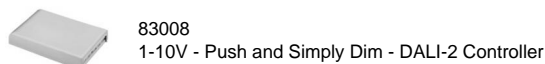
Finishing diffuser

Material	UV Resistant Polycarbonate
Colour	transparent

Finishing radiator

Material	Die-cast Aluminium
Colour	Aluminium
Processing	Tumbling

Electronics





Downlights | 1 arrayLED 37 W DC 1100 mA | CRI 90 | Base C00583WHWML

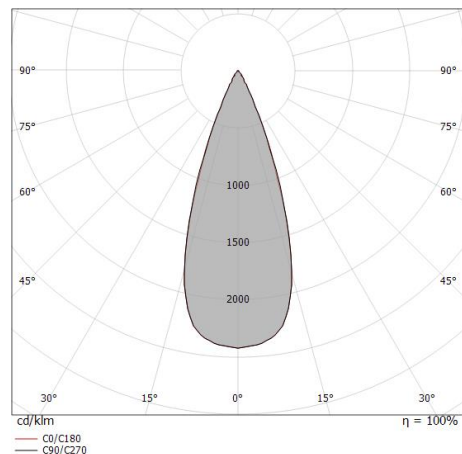
Single emission recessed downlights for indoor application. The warm white LED light source with a medium flood light distribution is composed of 1 arrayed LEDs with CCT of 3000 K and a CRI 90; the source luminous flux is 6249 lm, with a 168.9 lm/W nominal luminous efficacy.

The device body is made of technopolymer and features a white finish; the diffuser is made of uv resistant polycarbonate. The ingress protection degree is IP20; the total weight is of 1.189 kg. The power supply driver is not provided and is to be ordered separately.

The total absorbed power is 37 W. The power supply cable is included and features a 0.3 m length.

The device features protection class III and can be ceiling-mounted, with a 177 mm diameter hole (in plasterboard) with an outer casing, code C-C100020(for concrete or masonry).

Compliant with the EN 60598-1 standard and its specific provisions.



Distance [m]	Cone diameter [m]	illuminance [lx]
0.5	0.34 0.34	E(0°) 48031 E(C90) 19.0° 20475 E(C0) 18.8° 20641
1.0	0.69 0.68	E(0°) 12008 E(C90) 19.0° 5119 E(C0) 18.8° 5160
1.5	1.03 1.02	E(0°) 5337 E(C90) 19.0° 2275 E(C0) 18.8° 2293
2.0	1.38 1.36	E(0°) 3002 E(C90) 19.0° 1280 E(C0) 18.8° 1290
2.5	1.72 1.70	E(0°) 1921 E(C90) 19.0° 819 E(C0) 18.8° 826
3.0	2.07 2.04	E(0°) 1334 E(C90) 19.0° 569 E(C0) 18.8° 573

— C0/C180 (Half-peak divergence: 37.6°)
— C90/C270 (Half-peak divergence: 38.0°)

Energy efficiency class

This product contains a light source of energy efficiency class E.

Illuminotechnical Features

Light Output Ratio (LOR)	79 %
Source lumens	6249 lm
Delivered lumens	4953 lm
Consumption	37 W
Luminaire efficacy	133 lm/W
Colour temperature	3000 K
Standard Deviation of Colour Matching	2 Step MacAdam
Colour rendering index	90 Ra
Standard Operating Ambient Temperature	-20 / +50°C
Ordinary temperature on the glass	40°C

LED Life / Failure Ratio

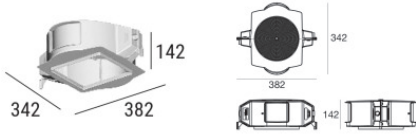
L70 B10 C0 112960h (at Tj 65 Ta 25)

UGR

UGR axial	10
UGR transversal	10
X=4H Y=8H	S=0.25H
Reflection factor	70/50/20

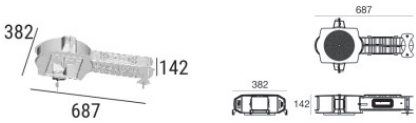
OPTICAL

C0/C180 optics	38°
Light distribution simmetry	Symmetrical



Outer casing
 installation position: ceiling; type of installation: masonry L=382mm, H=142mm, D=342mm.
 Material:polypropylene, colour:white.

Code
C-C100016



Outer casing
 installation position: ceiling; type of installation: masonry L=687mm, H=142mm, D=382mm.
 Material:polypropylene, colour:white.

Code
C-C100017



Outer casing - Grid for Outercasing
 installation position: ceiling; type of installation: masonry L=210mm, H=210mm, D=10mm.
 Material:polypropylene, colour:white.

Code
C-C100020



Diffuser
 Diffuser Type: elliptical filter

Code
C-U300022



Diffuser
 Diffuser Type: transparent closing screen.
 Material:PC, colour:transparent.

Finish
 Transp. **Code**
C-U300041



Diffuser - Warning: to use the accessory it is necessary to remove the optics inside the lamp
 Diffuser Type: diffused closing screen.
 Material:PC, colour:opaline.

Finish
 Opaline **Code**
C-U300042



Optics
 Light distribution: spot,Cover material: uv resistant polycarbonate

Code
C-K400144



Optics
 Light distribution: flood,Cover material: uv resistant polycarbonate

Code
C-K400145



Optics
Light distribution: medium flood,Cover material: uv resistant polycarbonate

Code
C-K400146



Optics
Light distribution: wide flood,Cover material: uv resistant polycarbonate

Code
C-K400147



Tool - Suction cup for extracting optics
Material:Silicone, colour:transparent.

Code
C-F600002