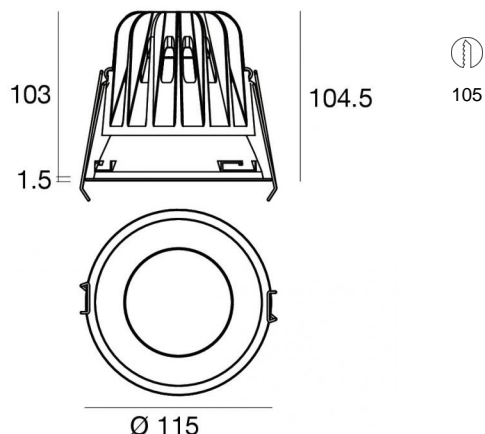




Downlights | 1 arrayLED 18 W DC 550 mA | CRI 90
C00581WHTDI



Technical data

Type	Encasement with flange
Installation position	Ceiling
Installation environment	Indoor
Light Source	LED
Circuit structure	arrayLED
Optics	Diffused
Light emission direction	downward
Nominal power	18 W DC
Source lumens	3322 lm
Input voltage range	550mA
CCT / Tone	3500 K
Colour rendering index	90 Ra
C.C. / C.V.	CC
Safety class	3
IP	IP20
Optical compartment IP	IP65
Glow wire test	850°
Direct mounting on normally flammable surfaces	Yes
CE	Yes
Driver included	No
Dimmable article	DALI - 1-10V
Directional	No
Tilting	No
Walk-over	No
Drive-over	No
Cable included	Yes
Cable length	0.3 m
Resin potting	No
Type of light emission	Single emission
Net weight	0.457 Kg
Electrostatic discharge protection	No
Surge protection	No

Finishing casing

Material	Technopolymer
Colour	white

Finishing diffuser

Material	UV Resistant Polycarbonate
Colour	transparent

Finishing radiator

Material	Die-cast Aluminium
Colour	Aluminium
Processing	Tumbling

Electronics



C-E100034
 Push and Simply Dim - DALI-2 Controller (- art.)



C-E100033
 On/Off Driver 198~264V AC / 180~280V DC (- art.)



Downlights | 1 arrayLED 18 W DC 550 mA | CRI 90 | Base C00581WHTDI

Single emission recessed downlights for indoor application. The brilliant white LED light source with a diffused light distribution is composed of 1 arrayed LEDs with CCT of 3500 K and a CRI 90; the source luminous flux is 3322 lm, with a 184.6 lm/W nominal luminous efficacy.

The device body is made of technopolymer and features a white finish; the diffuser is made of uv resistant polycarbonate. The ingress protection degree is IP20; the total weight is of 0.457 kg. The power supply driver is not provided and is to be ordered separately.

The total absorbed power is 18 W. The power supply cable is included and features a 0.3 m length.

The device features protection class III and can be ceiling-mounted, with a 105 mm diameter hole (in plasterboard) with an outer casing, code C-C100020(for concrete or masonry).

Compliant with the EN 60598-1 standard and its specific provisions.

Energy efficiency class

This product contains a light source of energy efficiency class E.

Illuminotechnical Features

Light Output Ratio (LOR)	55 %
Source lumens	3322 lm
Delivered lumens	1851 lm
Consumption	18 W
Luminaire efficacy	102 lm/W
Colour temperature	3500 K
Standard Deviation of Colour Matching	2 Step MacAdam
Colour rendering index	90 Ra
Colour Rendering Index	60 R9
Black Body Locus	On
Standard Operating Ambient Temperature	-20 / +50°C
Ordinary temperature on the glass	40°C

LED Life / Failure Ratio

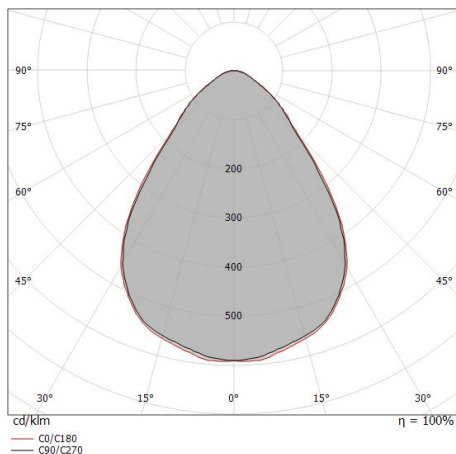
L70 B10 C0 252000h (at Tj 65 Ta 25)

UGR

UGR axial	26.3
UGR transversal	26.4
X=4H Y=8H	S=0.25H
Reflection factor	70/50/20

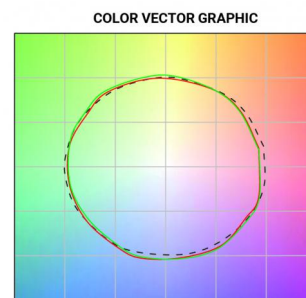
OPTICAL

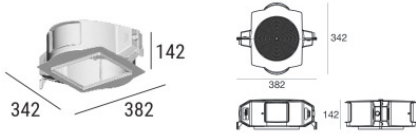
C0/C180 optics	77°
Light distribution symmetry	Symmetrical



Distance [m]	Cone diameter [m]	Illuminance [lx]
0.5	0.80 0.82	E(0°) 4371 E(C90) 38.7° 1041 E(C0) 39.2° 1023
1.0	1.60 1.63	E(0°) 1093 E(C90) 38.7° 260 E(C0) 39.2° 256
1.5	2.40 2.45	E(0°) 486 E(C90) 38.7° 116 E(C0) 39.2° 114
2.0	3.20 3.26	E(0°) 273 E(C90) 38.7° 65 E(C0) 39.2° 64
2.5	4.01 4.08	E(0°) 175 E(C90) 38.7° 42 E(C0) 39.2° 41
3.0	4.81 4.89	E(0°) 121 E(C90) 38.7° 29 E(C0) 39.2° 28

— C0/C180 (Half-peak divergence: 78.4°)
— C90/C270 (Half-peak divergence: 77.4°)





Outer casing
 installation position: ceiling; type of installation: masonry L=382mm, H=142mm, D=342mm.
 Material:polypropylene, colour:white.

Code
C-C100016



Outer casing
 installation position: ceiling; type of installation: masonry L=687mm, H=142mm, D=382mm.
 Material:polypropylene, colour:white.

Code
C-C100017



Outer casing - Grid for Outercasing
 installation position: ceiling; type of installation: masonry L=210mm, H=210mm, D=10mm.
 Material:polypropylene, colour:white.

Code
C-C100020



Diffuser
 Diffuser Type: elliptical filter

Code
C-U300020



Diffuser
 Diffuser Type: transparent closing screen.
 Material:PC, colour:transparent.

Finish
 Transp. **Code**
C-U300037



Diffuser - Warning: to use the accessory it is necessary to remove the optics installed on the lamp
 Diffuser Type: diffused closing screen.
 Material:PC, colour:opaline.

Finish
 Opaline **Code**
C-U300038



Optics
 Light distribution: flood,Cover material: uv resistant polycarbonate

Code
C-K400134



Optics
 Light distribution: medium flood,Cover material: uv resistant polycarbonate

Code
C-K400135



Optics
Light distribution: medium wide flood,Cover material: uv resistant polycarbonate

Code
C-K400136



Optics
Light distribution: wide flood,Cover material: uv resistant polycarbonate

Code
C-K400148



Tool - Suction cup for extracting optics
Material:Silicone, colour:transparent.

Code
C-F600002