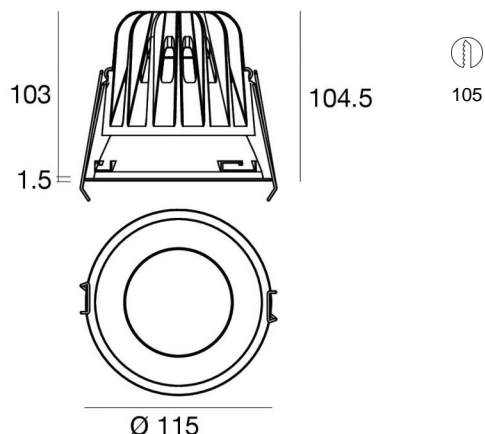




Downlights | 1 arrayLED 18 W DC 550 mA | CRI 80
C00581BBAFL



Technical data

Type	Encasement with flange
Installation position	Ceiling
Installation environment	Indoor
Light Source	LED
Circuit structure	arrayLED
Optics	Flood
Light emission direction	downward
Nominal power	18 W DC
Source lumens	2789 lm
Input voltage range	550mA
CCT / Tone	2200 K
Colour rendering index	80 Ra
C.C. / C.V.	CC
Safety class	3
IP	IP20
Optical compartment IP	IP65
Glow wire test	850°
Direct mounting on normally flammable surfaces	Yes
CE	Yes
Driver included	No
Dimmable article	DALI - 1-10V
Directional	No
Tilting	No
Walk-over	No
Drive-over	No
Cable included	Yes
Cable length	0.3 m
Resin potting	No
Type of light emission	Single emission
Net weight	0.457 Kg
Electrostatic discharge protection	No
Surge protection	No

Finishing casing

Material	Technopolymer
Colour	Black
Processing	Coating

Finishing diffuser

Material	UV Resistant Polycarbonate
Colour	transparent

Finishing radiator

Material	Die-cast Aluminium
Colour	Aluminium
Processing	Tumbling

Electronics



C-E100034
 Push and Simply Dim - DALI-2 Controller (- art.)



C-E100033
 On/Off Driver 198~264V AC / 180~280V DC (- art.)



Downlights | 1 arrayLED 18 W DC 550 mA | CRI 80 | Base C00581BBAFL

Energy efficiency class

This product contains a light source of energy efficiency class E.

Illuminotechnical Features

Light Output Ratio (LOR)	73 %
Source lumens	2789 lm
Delivered lumens	2036 lm
Consumption	18 W
Luminaire efficacy	113 lm/W
Colour temperature	2200 K
Standard Deviation of Colour Matching	3 Step MacAdam
Colour rendering index	80 Ra
Standard Operating Ambient Temperature	-20 / +50°C
Ordinary temperature on the glass	40°C

LED Life / Failure Ratio

L70 B10 C0 252000h (at Tj 65 Ta 25)

UGR

UGR axial	13.8
UGR transversal	13.8
X=4H Y=8H	S=0.25H
Reflection factor	70/50/20

OPTICAL

C0/C180 optics	25°
Light distribution simmetry	Symmetrical

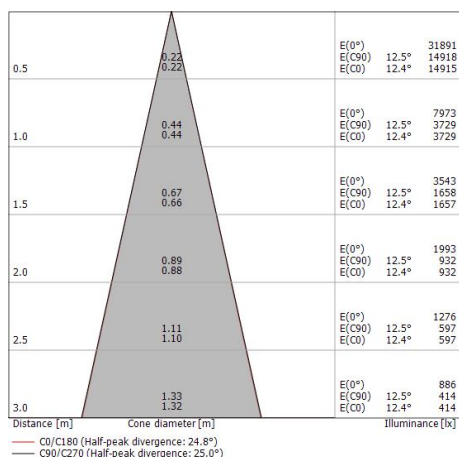
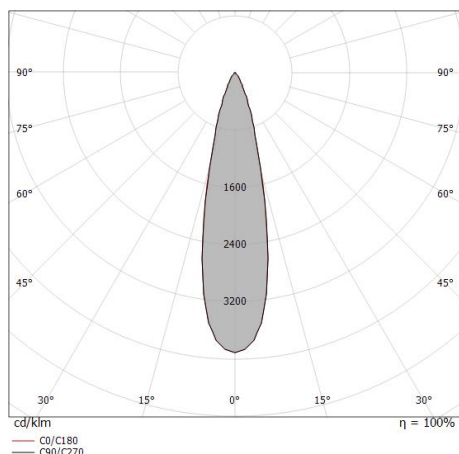
Single emission recessed downlights for indoor application. The ancient white LED light source with a flood light distribution is composed of 1 arrayed LEDs with CCT of 2200 K and a CRI 80; the source luminous flux is 2789 lm, with a 154.9 lm/W nominal luminous efficacy.

The device body is made of technopolymer and features a black finish, processed by means of coating; the diffuser is made of uv resistant polycarbonate. The ingress protection degree is IP20; the total weight is of 0.457 kg. The power supply driver is not provided and is to be ordered separately.

The total absorbed power is 18 W. The power supply cable is included and features a 0.3 m length.

The device features protection class III and can be ceiling-mounted, with a 105 mm diameter hole (in plasterboard) with an outer casing, code C-C100020(for concrete or masonry).

Compliant with the EN 60598-1 standard and its specific provisions.





	<p>Diffuser Diffuser Type: elliptical filter</p>	<p>Code <u>C-U300020</u></p>
	<p>Outer casing installation position: ceiling; type of installation: masonry L=382mm, H=142mm, D=342mm. Material:polypropylene, colour:white.</p>	<p>Code <u>C-C100016</u></p>
	<p>Outer casing installation position: ceiling; type of installation: masonry L=687mm, H=142mm, D=382mm. Material:polypropylene, colour:white.</p>	<p>Code <u>C-C100017</u></p>
	<p>Outer casing - Grid for Outercasing installation position: ceiling; type of installation: masonry L=210mm, H=210mm, D=10mm. Material:polypropylene, colour:white.</p>	<p>Code <u>C-C100020</u></p>
	<p>Diffuser Diffuser Type: transparent closing screen. Material:PC, colour:transparent.</p>	<p>Finish Transp. Code <u>C-U300037</u></p>
	<p>Diffuser - Warning: to use the accessory it is necessary to remove the optics inside the lamp Diffuser Type: diffused closing screen. Material:PC, colour:opaline.</p>	<p>Finish Opaline Code <u>C-U300038</u></p>
	<p>Optics Light distribution: flood,Cover material: uv resistant polycarbonate</p>	<p>Code <u>C-K400134</u></p>
	<p>Optics Light distribution: medium flood,Cover material: uv resistant polycarbonate</p>	<p>Code <u>C-K400135</u></p>



Optics
Light distribution: medium wide flood,Cover material: uv resistant polycarbonate

Code
C-K400136



Optics
Light distribution: wide flood,Cover material: uv resistant polycarbonate

Code
C-K400148



Tool - Suction cup for extracting optics
Material:Silicone, colour:transparent.

Code
C-F600002