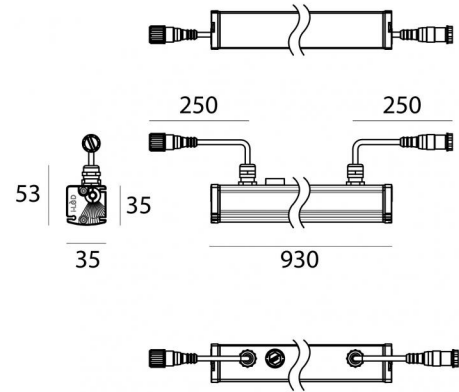


Xenia_W Pro



Wall Lights - Lines | 190-265 V AC /180-275 V DC
18 x powerLEDs 23.1 W DC - 26.2 W AC | CRI 80
C00551AMNWW



Technical data	
Type	- - Surface
Installation position	Wall lights - Ceiling - Floor
Installation environment	Outdoor
Light Source	LED
Circuit structure	powerLEDs
Optics	Asymmetric Wallwasher
Light emission direction	frontal
Nominal power	23.1 W DC
Total Power	26.2 W
Source lumens	3456 lm
Nominal input voltage	220 - 240 V AC
Input voltage range	190 - 265 V AC
Frequency	50 - 60 Hz
CCT / Tone	4000 K
Colour rendering index	80 Ra
C.C. / C.V.	AC
Safety class	2
IP	IP66
IK	IK07
Glow wire test	850°
Direct mounting on normally flammable surfaces	Yes
CE	Yes
Driver included	Driver
Dimmable article	DALI-2
Directional	Swivelling
Tilting	No
Walk-over	No
Drive-over	No
Cable included	Yes
Cable length	0.25 m
Resin potting	No
Type of light emission	Single emission
Net weight	1 Kg
Electrostatic discharge protection	Yes
Surge protection	2 KV
Product technological characteristics	TCS

Finishing casing	
Material	Aluminium
Colour	Anodised Aluminum
Processing	15 µm Anodizing

Finishing diffuser	
Material	PMMA
Colour	transparent



Wall Lights - Lines | 190-265 V AC /180-275 V DC | 18 x powerLEDs 23.1 W DC - 26.2 W
 AC | CRI 80 | Base
C00551AMNWW

Single emission wall lights or lines for outdoor application. The natural white LED light source with a asymmetric wallwasher light distribution is composed of 18 powered LEDs with CCT of 4000 K and a CRI 80; the source luminous flux is 3456 lm, with a 149.6 lm/W nominal luminous efficacy.

The device body is made of aluminium and features a anodised aluminum finish, processed by means of 15 µm anodizing; the diffuser is made of pmma. The ingress protection degree is IP66; the total weight is of 1 kg.

The total absorbed power is 26.2 W. The power supply cable is included and features a 0.25 m length.

The device features protection class II and can be wall lights, ceiling or floor-mounted.

Compliant with the EN 60598-1 standard and its specific provisions.

Energy efficiency class

This product contains 3 light sources of energy efficiency class D.

Illuminotechnical Features

Light Output Ratio (LOR)	79 %
Source lumens	3456 lm
Delivered lumens	2746 lm
Consumption	26.2 W
Luminaire efficacy	104 lm/W
Colour temperature	4000 K
Standard Deviation of Colour Matching	1.5 Step
Colour rendering index	80 Ra

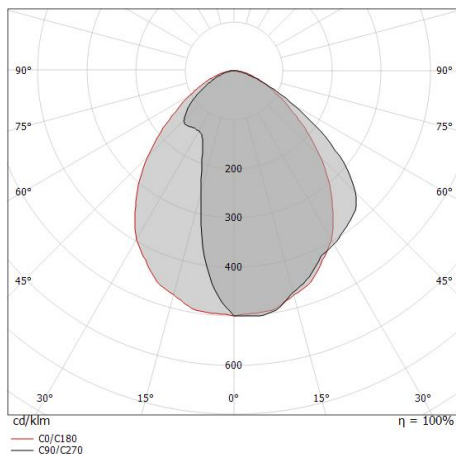
Standard Operating Ambient Temperature	-20 / +50°C
Ordinary temperature on the glass	40°C

LED Life / Failure Ratio

L70 B10 C0 361980h (at Tj 60 Ta 25)

OPTICAL

C0/C180 optics	90°
Light distribution simmetry	Asymmetrical





	<p>Bracket installation position: wall lights, ceiling, floor L=35mm, H=72.8mm, D=36.5mm. Material:AISI 304 steel, colour:Scotch Brite Steel.</p>	<p>Code <u>98949</u></p>				
	<p>Bracket installation position: wall lights, ceiling, floor L=95.6mm, H=45mm, D=28mm. Material:AISI 304 steel, colour:Scotch Brite Steel.</p>	<p>Code <u>89045</u></p>				
	<p>Bracket installation position: wall lights, ceiling, floor L=155.6mm, H=45mm, D=28mm. Material:AISI 304 steel, colour:Scotch Brite Steel.</p>	<p>Code <u>89046</u></p>				
	<p>Bracket installation position: wall lights, ceiling, floor L=305.6mm, H=60mm, D=28mm. Material:AISI 304 steel, colour:Scotch Brite Steel.</p>	<p>Code <u>89047</u></p>				
	<p>Anti-glare Anti-glare Type: eyelid. Material:Aluminium 6060, colour:Anodised Aluminum, processing:20 µm anodizing.</p>	<table border="1"> <thead> <tr> <th>Finish</th> <th>Code</th> </tr> </thead> <tbody> <tr> <td></td> <td><u>98784</u></td> </tr> </tbody> </table>	Finish	Code		<u>98784</u>
Finish	Code					
	<u>98784</u>					
	<p>Bracket installation position: wall lights, ceiling, floor. Material:AISI 304 steel, colour:Scotch Brite Steel.</p>	<p>Code <u>C-F400006</u></p>				
	<p>Cable and connector Type of cable power + signal cable allinone; Length 1500 mm; insulation double with shielding for signal.</p>	<p>Code <u>C-W200020</u></p>				
	<p>Cable and connector Type of cable power + signal cable allinone; Length 5000 mm; insulation double with shielding for signal.</p>	<p>Code <u>C-W200021</u></p>				



Xenia_W Pro | Lines | Accessories
C00551AMNWW



Cable and connector
 Type of cable power + signal cable allinone; Length 500 mm; insulation double with shielding for signal.

Code
C-W200022



Cable and connector
 Type of cable power + signal cable allinone; Length 1500 mm; insulation double with shielding for signal.

Code
C-W200023

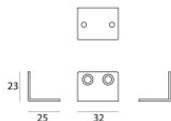


Cable and connector
 Length 5000 mm; section 1.3 mm²; cable gland: no; colors: black - blue - brown - yellow-green.

Code
83200



2X



Bracket
 installation position: wall lights L=32mm, H=23mm, D=25mm.
 Material:AISI 304 steel, colour:steel.

Finish
 **Code**
C-F400008