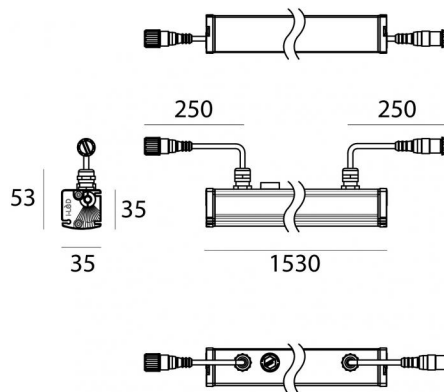


# Xenia\_W Pro



Wall Lights - Lines | 85-265 V  
30 x powerLEDs 37.4 W DC - 44 W AC | CRI 80  
**C00548AMNEM**



Technical data	
Type	- - Surface
Installation position	Wall lights - Ceiling - Floor
Installation environment	Outdoor
Light Source	LED
Circuit structure	powerLEDs
Optics	Elliptic M. Flood (30°÷39°) x (41°÷60°)
Light emission direction	frontal
Nominal power	37.4 W DC
Total Power	44 W
Source lumens	5760 lm
Nominal input voltage	220 - 240 V AC
Input voltage range	85 - 265 V AC
Frequency	50 - 60 Hz
CCT / Tone	4000 K
Colour rendering index	80 Ra
C.C. / C.V.	AC
Safety class	2
IP	IP66
IK	IK07
Glow wire test	850°
Direct mounting on normally flammable surfaces	Yes
CE	Yes
Driver included	Driver
Dimmable article	No
Directional	Swivelling
Tilting	No
Walk-over	No
Drive-over	No
Cable included	Yes
Cable length	0.25 m
Resin potting	No
Type of light emission	Single emission
Net weight	1.6 Kg
Electrostatic discharge protection	Yes
Surge protection	Yes
Product technological characteristics	TCS

Finishing casing	
Material	Aluminium
Colour	Anodised Aluminum
Processing	15 µm Anodizing
Finishing diffuser	
Material	PMMA
Colour	transparent



Wall Lights - Lines | 85-265 V | 30 x powerLEDs 37.4 W DC - 44 W AC | CRI 80 | Base

**C00548AMNEM**

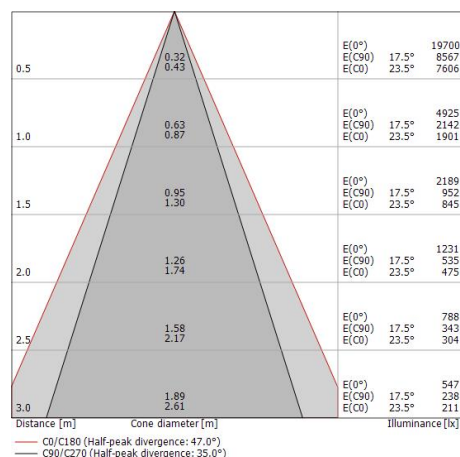
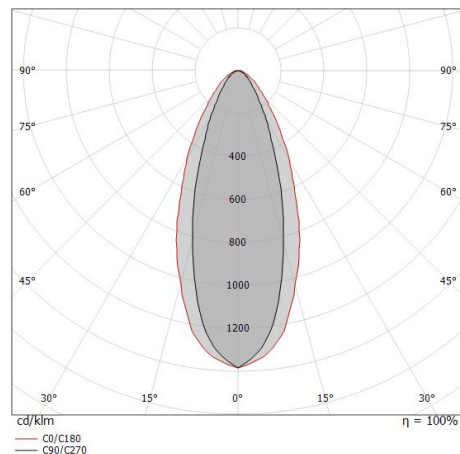
Single emission wall lights or lines for outdoor application. The natural white LED light source with a elliptic m. flood (30°±39°) x (41°±60°) light distribution is composed of 30 powered LEDs with CCT of 4000 K and a CRI 80; the source luminous flux is 5760 lm, with a 154.0 lm/W nominal luminous efficacy.

The device body is made of aluminium and features a anodised aluminum finish, processed by means of 15 µm anodizing; the diffuser is made of pmma. The ingress protection degree is IP66; the total weight is of 1.6 kg.

The total absorbed power is 44 W. The power supply cable is included and features a 0.25 m length.

The device features protection class II and can be wall lights, ceiling or floor-mounted.

Compliant with the EN 60598-1 standard and its specific provisions.



### Energy efficiency class

This product contains 5 light sources of energy efficiency class D.

### Illuminotechnical Features

Light Output Ratio (LOR)	61 %
Source lumens	5760 lm
Delivered lumens	3561 lm
Consumption	44 W
Luminaire efficacy	80 lm/W
Colour temperature	4000 K
Standard Deviation of Colour Matching	1.5 Step
Colour rendering index	80 Ra
Standard Operating Ambient Temperature	-20 / +50°C
Ordinary temperature on the glass	40°C

### LED Life / Failure Ratio

L70 B10 C0 361980h (at Tj 60 Ta 25 )


### UGR

UGR axial	21.1
UGR transversal	23.9
X=4H   Y=8H	S=0.25H
Reflection factor	70/50/20

### OPTICAL

C90/C270 optics	35°
C0/C180 optics	47°
Light distribution simmetry	Symmetrical 2 assis



	<p><b>Bracket</b>                      installation position: wall lights, ceiling, floor L=35mm, H=72.8mm, D=36.5mm.                      Material:AISI 304 steel, colour:Scotch Brite Steel.</p>	<p><b>Code</b>  <u>98949</u></p>
	<p><b>Bracket</b>                      installation position: wall lights, ceiling, floor L=95.6mm, H=45mm, D=28mm.                      Material:AISI 304 steel, colour:Scotch Brite Steel.</p>	<p><b>Code</b>  <u>98945</u></p>
	<p><b>Bracket</b>                      installation position: wall lights, ceiling, floor L=155.6mm, H=45mm, D=28mm.                      Material:AISI 304 steel, colour:Scotch Brite Steel.</p>	<p><b>Code</b>  <u>89046</u></p>
	<p><b>Bracket</b>                      installation position: wall lights, ceiling, floor L=305.6mm, H=60mm, D=28mm.                      Material:AISI 304 steel, colour:Scotch Brite Steel.</p>	<p><b>Code</b>  <u>89047</u></p>
	<p><b>Anti-glare</b>                      Anti-glare Type: eyelid.                      Material:Aluminium 6060, colour:Anodised Aluminum, processing:20 µm anodizing.</p>	<p><b>Finish</b>   <b>Code</b>  <u>99778</u></p>
	<p><b>Cable and connector - 24V DC 190-250V AC - Conn. F.4 pin M12 (L 1,5m)</b>                      Length 1500 mm; insulation double; cable gland: no; colors: white - black - blue - brown.</p>	<p><b>Code</b>  <u>99216</u></p>
	<p><b>Cable and connector - 24V DC 190-250V AC - Conn. F.4 pin M12 (L 5m)</b>                      Length 5000 mm; insulation double; cable gland: no; colors: white - black - blue - brown.</p>	<p><b>Code</b>  <u>89190</u></p>
	<p><b>Cable and connector - Extension cable</b>                      Length 1000 mm; insulation double; cable gland: no.</p>	<p><b>Code</b>  <u>98437</u></p>



Xenia\_W Pro | Lines | Accessories  
**C00548AMNEM**



Cable and connector - 24V DC 190-250V AC - Conn M. + F. 4 pin M12 (L 5m)  
 Length 5000 mm; insulation double; cable gland: no.

**Code**  
98149



Cable and connector - 24V DC 190-250V AC - Conn M. + F. 4 pin M12 (L 10m)  
 Length 10000 mm; insulation double; cable gland: no.

**Code**  
89188

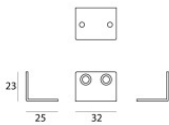


Bracket  
 installation position: wall lights, ceiling, floor.  
 Material:AISI 304 steel, colour:Scotch Brite Steel.

**Code**  
C-F400006



**2X**



Bracket  
 installation position: wall lights L=32mm, H=23mm, D=25mm.  
 Material:AISI 304 steel, colour:steel.

**Finish**  
 **Code**  
C-F400008