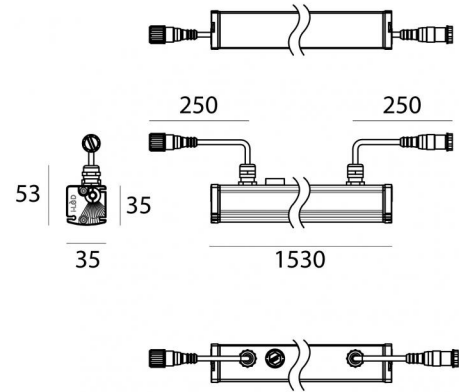


# Xenia\_W Pro



Wall Lights - Lines | 85-265 V  
30 x powerLEDs 37.4 W DC - 44 W AC | CRI 80  
**C00548AMAFL**



## Technical data

Type	- - Surface
Installation position	Wall lights - Ceiling - Floor
Installation environment	Outdoor
Light Source	LED
Circuit structure	powerLEDs
Optics	Flood
Light emission direction	frontal
Nominal power	37.4 W DC
Total Power	44 W
Source lumens	3750 lm
Nominal input voltage	220 - 240 V AC
Input voltage range	85 - 265 V AC
Frequency	50 - 60 Hz
CCT / Tone	2200 K
Colour rendering index	80 Ra
C.C. / C.V.	AC
Safety class	2
IP	IP66
IK	IK07
Glow wire test	850°
Direct mounting on normally flammable surfaces	Yes
CE	Yes
Driver included	Driver
Dimmable article	No
Directional	Swivelling
Tilting	No
Walk-over	No
Drive-over	No
Cable included	Yes
Cable length	0.25 m
Resin potting	No
Type of light emission	Single emission
Net weight	1.6 Kg
Electrostatic discharge protection	Yes
Surge protection	Yes
Product technological characteristics	TCS

## Finishing casing

Material	Aluminium
Colour	Anodised Aluminum
Processing	15 µm Anodizing

## Finishing diffuser

Material	PMMA
Colour	transparent



Wall Lights - Lines | 85-265 V | 30 x powerLEDs 37.4 W DC - 44 W AC | CRI 80 | Base

**C00548AMAFL**

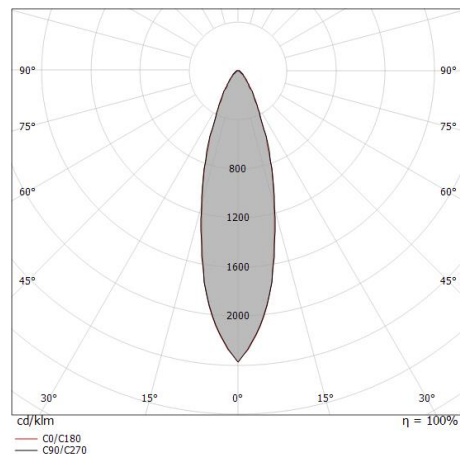
Single emission wall lights or lines for outdoor application. The ancient white LED light source is composed of 30 powered LEDs with CCT of 2200 K and a CRI 80; the source luminous flux is 3750 lm, with a 100.3 lm/W nominal luminous efficacy.

The device body is made of aluminium and features a anodised aluminum finish, processed by means of 15 µm anodizing; the diffuser is made of pmma. The ingress protection degree is IP66; the total weight is of 1.6 kg.

The total absorbed power is 44 W. The power supply cable is included and features a 0.25 m length.

The device features protection class II and can be wall lights, ceiling or floor-mounted.

Compliant with the EN 60598-1 standard and its specific provisions.



Distance [m]	Cone diameter [m]	illuminance [lx]
0.5	0.26 0.26	E(0°) 25419 E(C90) 14.6° 11528 E(C0) 14.4° 11626
1.0	0.52 0.51	E(0°) 6355 E(C90) 14.6° 2882 E(C0) 14.4° 2907
1.5	0.78 0.77	E(0°) 2824 E(C90) 14.6° 1261 E(C0) 14.4° 1292
2.0	1.04 1.03	E(0°) 1589 E(C90) 14.6° 720 E(C0) 14.4° 727
2.5	1.30 1.28	E(0°) 1017 E(C90) 14.6° 461 E(C0) 14.4° 465
3.0	1.56 1.54	E(0°) 706 E(C90) 14.6° 320 E(C0) 14.4° 323

Distance [m]      Cone diameter [m]      illuminance [lx]

— C0/C180 (Half-peak divergence: 28.8°)  
— C90/C270 (Half-peak divergence: 29.2°)

### Energy efficiency class

This product contains 5 light sources of energy efficiency class F.

### Illuminotechnical Features

Light Output Ratio (LOR)	71 %
Source lumens	3750 lm
Delivered lumens	2677 lm
Consumption	44 W
Luminaire efficacy	60 lm/W
Colour temperature	2200 K
Standard Deviation of Colour Matching	1/16 ANSI BIN
Colour rendering index	80 Ra
Standard Operating Ambient Temperature	-20 / +50°C
Ordinary temperature on the glass	40°C

### LED Life / Failure Ratio

L70 B10 C0 361980h


### UGR

UGR axial	18.8
UGR transversal	19.2
X=4H   Y=8H	S=0.25H
Reflection factor	70/50/20

### OPTICAL

C0/C180 optics	29°
Light distribution simmetry	Symmetrical



	<p>Bracket                      installation position: wall lights, ceiling, floor L=35mm, H=72.8mm, D=36.5mm.                      Material:AISI 304 steel, colour:Scotch Brite Steel.</p>	<p><b>Code</b>  <u>98949</u></p>
	<p>Bracket                      installation position: wall lights, ceiling, floor L=95.6mm, H=45mm, D=28mm.                      Material:AISI 304 steel, colour:Scotch Brite Steel.</p>	<p><b>Code</b>  <u>98945</u></p>
	<p>Bracket                      installation position: wall lights, ceiling, floor L=155.6mm, H=45mm, D=28mm.                      Material:AISI 304 steel, colour:Scotch Brite Steel.</p>	<p><b>Code</b>  <u>89046</u></p>
	<p>Bracket                      installation position: wall lights, ceiling, floor L=305.6mm, H=60mm, D=28mm.                      Material:AISI 304 steel, colour:Scotch Brite Steel.</p>	<p><b>Code</b>  <u>89047</u></p>
	<p>Anti-glare                      Anti-glare Type: eyelid.                      Material:Aluminium 6060, colour:Anodised Aluminum, processing:20 µm anodizing.</p>	<p><b>Finish</b>   <b>Code</b>  <u>99778</u></p>
	<p>Cable and connector - 24V DC 190-250V AC - Conn. F.4 pin M12 (L 1,5m)                      Length 1500 mm; insulation double; cable gland: no; colors: white - black - blue - brown.</p>	<p><b>Code</b>  <u>99216</u></p>
	<p>Cable and connector - 24V DC 190-250V AC - Conn. F.4 pin M12 (L 5m)                      Length 5000 mm; insulation double; cable gland: no; colors: white - black - blue - brown.</p>	<p><b>Code</b>  <u>89190</u></p>
	<p>Cable and connector - Extension cable                      Length 1000 mm; insulation double; cable gland: no.</p>	<p><b>Code</b>  <u>98437</u></p>



Xenia\_W Pro | Lines | Accessories  
**C00548AMAFL**



Cable and connector - 24V DC 190-250V AC - Conn M. + F. 4 pin M12 (L 5m)  
 Length 5000 mm; insulation double; cable gland: no.

**Code**  
98149



Cable and connector - 24V DC 190-250V AC - Conn M. + F. 4 pin M12 (L 10m)  
 Length 10000 mm; insulation double; cable gland: no.

**Code**  
89188

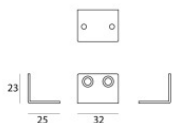


Bracket  
 installation position: wall lights, ceiling, floor.  
 Material:AISI 304 steel, colour:Scotch Brite Steel.


**Code**  
C-F400006



**2X**



Bracket  
 installation position: wall lights L=32mm, H=23mm, D=25mm.  
 Material:AISI 304 steel, colour:steel.

**Finish**  
 **Code**  
C-F400008