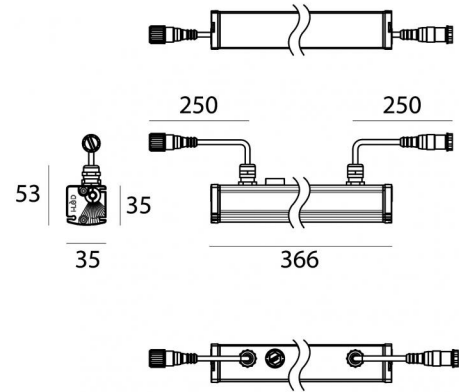




Wall Lights - Lines | 85-277 V
 3 x powerLEDs 6.1 W DC - 7.8 W AC | CRI 80
C00534AMWFL



Technical data	
Type	- - Surface
Installation position	Wall lights - Ceiling - Floor
Installation environment	Outdoor
Light Source	LED
Circuit structure	powerLEDs
Optics	Flood
Light emission direction	frontal
Nominal power	6.1 W DC
Total Power	7.8 W
Source lumens	852 lm
Nominal input voltage	220 - 240 V AC
Input voltage range	85 - 277 V AC
Frequency	50 - 60 Hz
CCT / Tone	3000 K
Colour rendering index	80 Ra
C.C. / C.V.	AC
Safety class	2
IP	IP66
IK	IK07
Glow wire test	850°
Direct mounting on normally flammable surfaces	Yes
CE	Yes
Driver included	Driver
Dimmable article	Yes
Directional	Swivelling
Tilting	No
Walk-over	No
Drive-over	No
Cable included	Yes
Cable length	0.25 m
Resin potting	No
Type of light emission	Single emission
Net weight	0.55 Kg
Electrostatic discharge protection	Yes
Surge protection	Yes
Product technological characteristics	TCS

Finishing casing	
Material	Aluminium
Colour	Anodised Aluminum
Processing	15 µm Anodizing

Finishing diffuser	
Material	PMMA
Colour	transparent



Wall Lights - Lines | 85-277 V | 3 x powerLEDs 6.1 W DC - 7.8 W AC | CRI 80 | Base
C00534AMWFL

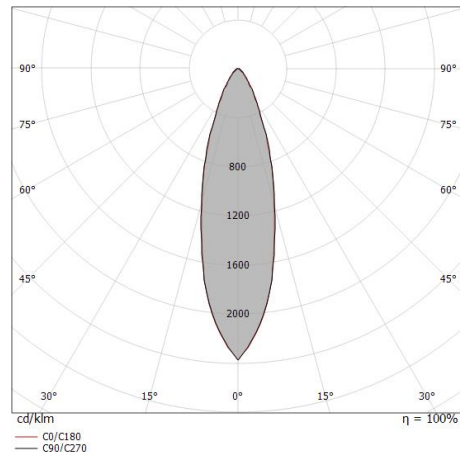
Single emission wall lights or lines for outdoor application. The warm white LED light source is composed of 3 powered LEDs with CCT of 3000 K and a CRI 80; the source luminous flux is 852 lm, with a 139.7 lm/W nominal luminous efficacy.

The device body is made of aluminium and features a anodised aluminum finish, processed by means of 15 µm anodizing; the diffuser is made of pmma. The ingress protection degree is IP66; the total weight is of 0.55 kg.

The total absorbed power is 7.8 W. The power supply cable is included and features a 0.25 m length.

The device features protection class II and can be wall lights, ceiling or floor-mounted.

Compliant with the EN 60598-1 standard and its specific provisions.



Distance [m]	Cone diameter [m]	illuminance [lx]
0.5	0.26 0.26	E(0°) 5641 E(C90) 14.6° 2558 E(C0) 14.4° 2580
1.0	0.52 0.51	E(0°) 1410 E(C90) 14.6° 640 E(C0) 14.4° 645
1.5	0.78 0.77	E(0°) 627 E(C90) 14.6° 284 E(C0) 14.4° 287
2.0	1.04 1.03	E(0°) 353 E(C90) 14.6° 160 E(C0) 14.4° 161
2.5	1.30 1.28	E(0°) 226 E(C90) 14.6° 102 E(C0) 14.4° 103
3.0	1.56 1.54	E(0°) 157 E(C90) 14.6° 71 E(C0) 14.4° 72

Distance [m] Cone diameter [m] illuminance [lx]

— C0/C180 (Half-peak divergence: 28.8°)
 — C90/C270 (Half-peak divergence: 29.2°)

Energy efficiency class

This product contains a light source of energy efficiency class D.

Illuminotechnical Features

Light Output Ratio (LOR)	69 %
Source lumens	852 lm
Delivered lumens	595 lm
Consumption	7.8 W
Luminaire efficacy	76 lm/W
Colour temperature	3000 K
Standard Deviation of Colour Matching	1.5 Step
Colour rendering index	80 Ra
Standard Operating Ambient Temperature	-20 / +50°C
Ordinary temperature on the glass	40°C

LED Life / Failure Ratio

L70 B10 C0 361980h (at Tj 60 Ta 25)


UGR

UGR axial	18.6
UGR transversal	19.1
X=4H Y=8H	S=0.25H
Reflection factor	70/50/20

OPTICAL

C0/C180 optics	29°
Light distribution simmetry	Symmetrical



	<p>Cable and connector - 24V DC 190-250V AC - Conn. F.4 pin M12 (L 1,5m) Length 1500 mm; insulation double; cable gland: no; colors: white - black - blue - brown.</p>	<p>Code 99216</p>
	<p>Bracket installation position: wall lights, ceiling, floor L=35mm, H=72.8mm, D=36.5mm. Material:AISI 304 steel, colour:Scotch Brite Steel.</p>	<p>Code 98949</p>
	<p>Bracket installation position: wall lights, ceiling, floor L=305.6mm, H=60mm, D=28mm. Material:AISI 304 steel, colour:Scotch Brite Steel.</p>	<p>Code 89047</p>
	<p>Bracket installation position: wall lights, ceiling, floor L=155.6mm, H=45mm, D=28mm. Material:AISI 304 steel, colour:Scotch Brite Steel.</p>	<p>Code 89046</p>
	<p>Bracket installation position: wall lights, ceiling, floor L=95.6mm, H=45mm, D=28mm. Material:AISI 304 steel, colour:Scotch Brite Steel.</p>	<p>Code 89045</p>
	<p>Anti-glare Anti-glare Type: eyelid. Material:Aluminium 6060, colour:Anodised Aluminum, processing:20 µm anodizing.</p>	<p>Finish  Code 98782</p>
	<p>Cable and connector - 24V DC 190-250V AC - Conn. F.4 pin M12 (L 5m) Length 5000 mm; insulation double; cable gland: no; colors: white - black - blue - brown.</p>	<p>Code 89190</p>
	<p>Cable and connector - Extension cable Length 1000 mm; insulation double; cable gland: no.</p>	<p>Code 98437</p>



Cable and connector - 24V DC 190-250V AC - Conn M. + F. 4 pin M12 (L 10m)
Length 10000 mm; insulation double; cable gland: no.

Code
89188



Cable and connector - 24V DC 190-250V AC - Conn M. + F. 4 pin M12 (L 5m)
Length 5000 mm; insulation double; cable gland: no.

Code
98149

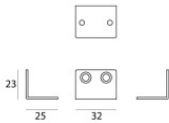


Bracket
installation position: wall lights, ceiling, floor.
Material:AISI 304 steel, colour:Scotch Brite Steel.

Code
C-F400006



2X



Bracket
installation position: wall lights L=32mm, H=23mm, D=25mm.
Material:AISI 304 steel, colour:steel.

Finish
 **Code**
C-F400008