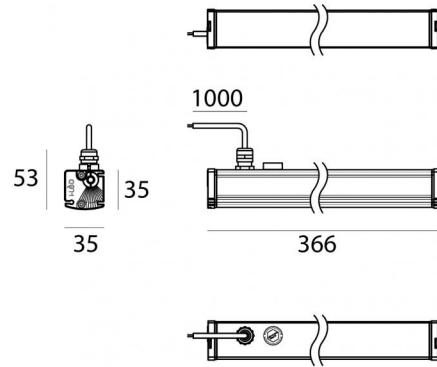




Wall Lights - Lines
 3 x powerLEDs 6.1 W DC 630 mA | CRI 80
C00529AMAWW



Technical data	
Type	-- Surface
Installation position	Wall lights - Ceiling - Floor
Installation environment	Outdoor
Light Source	LED
Circuit structure	powerLEDs
Optics	Asymmetric Wallwasher
Light emission direction	frontal
Nominal power	6.1 W DC
Source lumens	597 lm
Input voltage range	630mA
CCT / Tone	2200 K
Colour rendering index	80 Ra
C.C. / C.V.	CC
Safety class	3
IP	IP66
IK	IK07
Glow wire test	850°
Direct mounting on normally flammable surfaces	Yes
CE	Yes
Driver included	No
Dimmable article	DALI - 1-10V
Directional	Swivelling
Tilting	No
Walk-over	No
Drive-over	No
Cable included	Yes
Cable length	1 m
Resin potting	No
Type of light emission	Single emission
Net weight	0.45 Kg
Electrostatic discharge protection	No
Surge protection	No
Product technological characteristics	TCS

Finishing casing

Material	Aluminium
Colour	Anodised Aluminum
Processing	15 µm Anodizing

Finishing diffuser

Material	PMMA
Colour	transparent

Electronics



99186
On/Off Driver 198~264V AC



C-E200008
On/Off Driver 198~264V AC / 180~275V DC



Wall Lights - Lines | 3 x powerLEDs 6.1 W DC 630 mA | CRI 80 | Base
C00529AMAWW

Single emission wall lights or lines for outdoor application. The ancient white LED light source with a asymmetric wallwasher light distribution is composed of 3 powerled LEDs with CCT of 2200 K and a CRI 80; the source luminous flux is 597 lm, with a 97.9 lm/W nominal luminous efficacy.

The device body is made of aluminium and features a anodised aluminum finish, processed by means of 15 µm anodizing; the diffuser is made of pmma. The ingress protection degree is IP66; the total weight is of 0.45 kg. The power supply driver is not provided and is to be ordered separately.

The total absorbed power is 6.1 W. The power supply cable is included and features a 1 m length.

The device features protection class III and can be wall lights, ceiling or floor-mounted.

Compliant with the EN 60598-1 standard and its specific provisions.

Energy efficiency class

This product contains a light source of energy efficiency class F.

Illuminotechnical Features

Light Output Ratio (LOR)	80 %
Source lumens	597 lm
Delivered lumens	482 lm
Consumption	6 W
Luminaire efficacy	80 lm/W
Colour temperature	2200 K
Standard Deviation of Colour Matching	1/16 ANSI BIN
Colour rendering index	80 Ra

Standard Operating Ambient Temperature -20 / +50°C

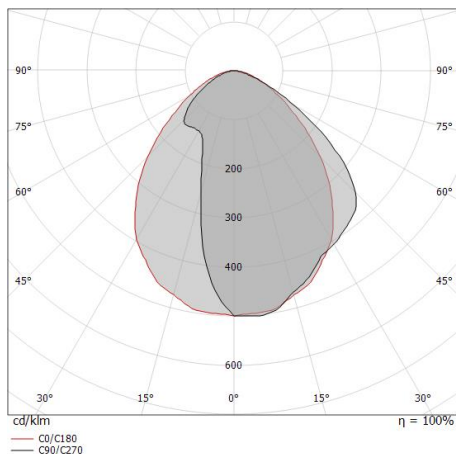
Ordinary temperature on the glass 40°C

LED Life / Failure Ratio

L70 B10 C0 361980h

OPTICAL

C0/C180 optics	90°
Light distribution simmetry	Asymmetrical





Anti-glare
 Anti-glare Type: eyelid.
 Material:Aluminium 6060, colour:Anodised Aluminum, processing:20 µm anodizing.

Finish	Code
	98782



Bracket
 installation position: wall lights, ceiling, floor L=95.6mm, H=45mm, D=28mm.
 Material:AISI 304 steel, colour:Scotch Brite Steel.

Code
89045



Bracket
 installation position: wall lights, ceiling, floor L=155.6mm, H=45mm, D=28mm.
 Material:AISI 304 steel, colour:Scotch Brite Steel.

Code
89046



Bracket
 installation position: wall lights, ceiling, floor L=305.6mm, H=60mm, D=28mm.
 Material:AISI 304 steel, colour:Scotch Brite Steel.

Code
89047

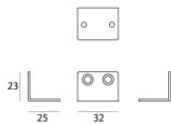


Bracket
 installation position: wall lights, ceiling, floor L=35mm, H=72.8mm, D=36.5mm.
 Material:AISI 304 steel, colour:Scotch Brite Steel.

Code
98949



2X



Bracket
 installation position: wall lights L=32mm, H=23mm, D=25mm.
 Material:AISI 304 steel, colour:steel.

Finish	Code
	C-F400008