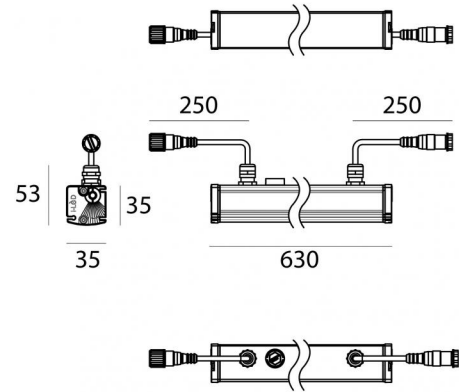




Wall Lights - Lines | 85-277 V
96 topLED 11 W DC - 12.3 W AC | CRI 80
C00523AMWDI



Technical data	
Type	- - Surface
Installation position	Wall lights - Ceiling - Floor
Installation environment	Outdoor
Light Source	LED
Circuit structure	topLED
Optics	Diffused
Light emission direction	frontal
Nominal power	11 W DC
Total Power	12.3 W
Source lumens	1942 lm
Nominal input voltage	220 - 240 V AC
Input voltage range	85 - 277 V AC
Frequency	50 - 60 Hz
CCT / Tone	3000 K
Colour rendering index	80 Ra
C.C. / C.V.	AC
Safety class	2
IP	IP66
IK	IK07
Glow wire test	850°
Direct mounting on normally flammable surfaces	Yes
CE	Yes
Driver included	Driver
Dimmable article	No
Directional	Swivelling
Tilting	No
Walk-over	No
Drive-over	No
Cable included	Yes
Cable length	0.25 m
Resin potting	No
Type of light emission	Single emission
Net weight	0.7 Kg
Electrostatic discharge protection	Yes
Surge protection	No
Product technological characteristics	TCS

Finishing casing

Material	Aluminium
Colour	Anodised Aluminum
Processing	15 µm Anodizing

Finishing diffuser

Material	PMMA
Colour	transparent



Wall Lights - Lines | 85-277 V | 96 topLED 11 W DC - 12.3 W AC | CRI 80 | Base
C00523AMWDI

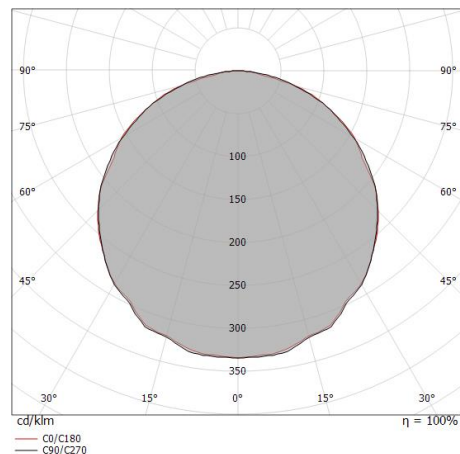
Single emission wall lights or lines for outdoor application. The warm white LED light source with a diffused light distribution is composed of 96 topped LEDs with CCT of 3000 K and a CRI 80; the source luminous flux is 1942 lm, with a 176.5 lm/W nominal luminous efficacy.

The device body is made of aluminium and features a anodised aluminum finish, processed by means of 15 µm anodizing; the diffuser is made of pmma. The ingress protection degree is IP66; the total weight is of 0.7 kg.

The total absorbed power is 12.3 W. The power supply cable is included and features a 0.25 m length.

The device features protection class II and can be wall lights, ceiling or floor-mounted.

Compliant with the EN 60598-1 standard and its specific provisions.



Distance [m]	Cone diameter [m]	illuminance [lx]
0.5	1.59 1.55	E(0°) 680 E(C90) 52 E(C0) 54
1.0	3.18 3.10	E(0°) 170 E(C90) 13 E(C0) 14
1.5	4.76 4.66	E(0°) 76 E(C90) 6 E(C0) 6
2.0	6.35 6.21	E(0°) 42 E(C90) 3 E(C0) 3
2.5	7.94 7.76	E(0°) 27 E(C90) 2 E(C0) 2
3.0	9.53 9.31	E(0°) 19 E(C90) 1 E(C0) 2

— C0/C180 (Half-peak divergence: 114.4°)
— C90/C270 (Half-peak divergence: 115.6°)

Energy efficiency class

This product contains 2 light sources of energy efficiency class D.

Illuminotechnical Features

Light Output Ratio (LOR)	26 %
Source lumens	1942 lm
Delivered lumens	509 lm
Consumption	12.3 W
Luminaire efficacy	41 lm/W
Colour temperature	3000 K
Standard Deviation of Colour Matching	3 Step MacAdam
Colour rendering index	80 Ra
Standard Operating Ambient Temperature	-20 / +50°C
Ordinary temperature on the glass	40°C

LED Life / Failure Ratio

L70 B10 C0 145770h (at Tj 65 Ta 25)


UGR

UGR axial	25.9
UGR transversal	25.9
X=4H Y=8H	S=0.25H
Reflection factor	70/50/20

OPTICAL

C0/C180 optics	114°
Light distribution simmetry	Symmetrical



	<p>Bracket installation position: wall lights, ceiling, floor L=95.6mm, H=45mm, D=28mm. Material:AISI 304 steel, colour:Scotch Brite Steel.</p>	<p>Code <u>89045</u></p>
	<p>Bracket installation position: wall lights, ceiling, floor L=155.6mm, H=45mm, D=28mm. Material:AISI 304 steel, colour:Scotch Brite Steel.</p>	<p>Code <u>89046</u></p>
	<p>Bracket installation position: wall lights, ceiling, floor L=305.6mm, H=60mm, D=28mm. Material:AISI 304 steel, colour:Scotch Brite Steel.</p>	<p>Code <u>89047</u></p>
	<p>Bracket installation position: wall lights, ceiling, floor L=35mm, H=72.8mm, D=36.5mm. Material:AISI 304 steel, colour:Scotch Brite Steel.</p>	<p>Code <u>98949</u></p>
	<p>Bracket installation position: wall lights, ceiling, floor. Material:AISI 304 steel, colour:Scotch Brite Steel.</p>	<p>Code <u>C-F400006</u></p>
	<p>Anti-glare Anti-glare Type: eyelid. Material:Aluminium 6060, colour:Anodised Aluminum, processing:20 µm anodizing.</p>	<p>Finish  Code <u>98783</u></p>
	<p>Cable and connector - 24V DC 190-250V AC - Conn. F.4 pin M12 (L 5m) Length 5000 mm; insulation double; cable gland: no; colors: white - black - blue - brown.</p>	<p>Code <u>89190</u></p>
	<p>Cable and connector - 24V DC 190-250V AC - Conn M. + F. 4 pin M12 (L 5m) Length 5000 mm; insulation double; cable gland: no.</p>	<p>Code <u>98149</u></p>



Cable and connector - 24V DC 190-250V AC - Conn M. + F. 4 pin M12 (L 10m)
 Length 10000 mm; insulation double; cable gland: no.

Code
89188



Cable and connector - 24V DC 190-250V AC - Conn. F.4 pin M12 (L 1,5m)
 Length 1500 mm; insulation double; cable gland: no; colors: white - black - blue - brown.

Code
99216

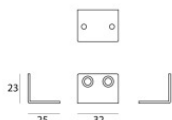


Cable and connector - Extension cable
 Length 1000 mm; insulation double; cable gland: no.

Code
98437



2X



Bracket
 installation position: wall lights L=32mm, H=23mm, D=25mm.
 Material:AISI 304 steel, colour:steel.

Finish  **Code**
C-F400008