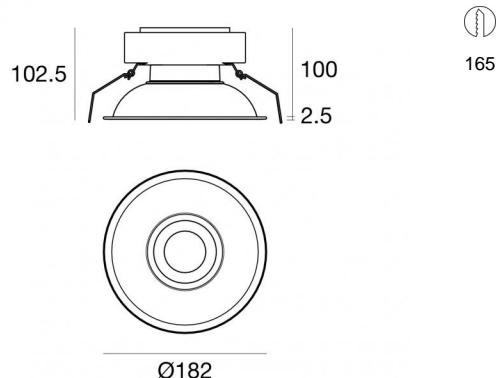


# Woofer\_R



Downlights | 1 arrayLED 18 W DC 500 mA | CRI 90  
**C00407WHNXF**




## Technical data

Type	Encasement with flange
Installation position	Ceiling
Installation environment	Indoor
Light Source	LED
Circuit structure	arrayLED
Optics	Extra Wide Flood
Light emission direction	downward
Nominal power	18 W DC
Source lumens	2982 lm
Input voltage range	500mA
CCT / Tone	4000 K
Colour rendering index	90 Ra
C.C. / C.V.	CC
Safety class	3
IP	IP44
IK	IK08
Glow wire test	850°
Direct mounting on normally flammable surfaces	Yes
CE	Yes
Driver included	No
Dimmable article	No
Directional	No
Tilting	No
Walk-over	No
Drive-over	No
Cable included	Yes
Cable length	0.3 m
Resin potting	No
Type of light emission	Single emission
Net weight	0.22 Kg
Electrostatic discharge protection	No
Surge protection	No


## Finishing casing

Material	Aluminium
Colour	White
Processing	Coating

## Electronics

 99115  
 1-10V - N/O button Multi Power 198~264V AC /  
 180~275V DC (1 art.)

 99106  
 On/Off Driver 198~264V AC (1 art.)

 C-E100001  
 Push and Simply Dim - DALI-2 Multi Power 198~264V  
 AC / 180~275V DC (1 art.)



Downlights | 1 arrayLED 18 W DC 500 mA | CRI 90 | Base C00407WHNXF

Single emission recessed downlights for indoor application. The natural white LED light source with a extra wide flood light distribution is composed of 1 arrayed LEDs with CCT of 4000 K and a CRI 90; the source luminous flux is 2982 lm, with a 165.7 lm/W nominal luminous efficacy.

The device body is made of aluminium and features a white finish, processed by means of coating. The ingress protection degree is IP44; the total weight is of 0.22 kg. The power supply driver is not provided and is to be ordered separately.

The total absorbed power is 18 W. The power supply cable is included and features a 0.3 m length.

The device features protection class III and can be ceiling-mounted, with a 165 mm diameter hole (in plasterboard).

Compliant with the EN 60598-1 standard and its specific provisions.

### Energy efficiency class

This product contains a light source of energy efficiency class E.

### Illuminotechnical Features

Light Output Ratio (LOR)	70 %
Source lumens	2982 lm
Delivered lumens	2103 lm
Consumption	19 W
Luminaire efficacy	110 lm/W
Colour temperature	4000 K
Standard Deviation of Colour Matching	2 Step MacAdam
Colour rendering index	90 Ra
Colour Rendering Index	60 R9
Black Body Locus	On
Standard Operating Ambient Temperature	-20 / +50°C
Ordinary temperature on the glass	40°C

### LED Life / Failure Ratio

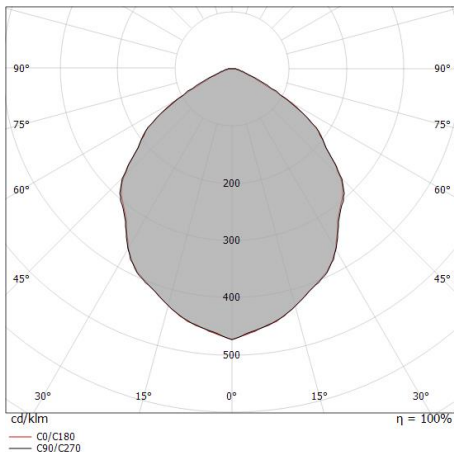
L70 B10 C0 252000h (at Tj 65 Ta 25)

### UGR

UGR axial	24.6
UGR transversal	24.5
X=4H   Y=8H	S=0.25H
Reflection factor	70/50/20

### OPTICAL

C0/C180 optics	96°
Light distribution simmetry	Symmetrical



Distance [m]	Cone diameter [m]	Illuminance [lx]
0.5	1.11 1.11	E(0°) 3977 E(C90) 597 E(C0) 600
1.0	2.22 2.21	E(0°) 994 E(C90) 149 E(C0) 150
1.5	3.33 3.32	E(0°) 442 E(C90) 66 E(C0) 67
2.0	4.44 4.43	E(0°) 249 E(C90) 37 E(C0) 38
2.5	5.55 5.53	E(0°) 159 E(C90) 24 E(C0) 24
3.0	6.66 6.64	E(0°) 110 E(C90) 17 E(C0) 17

— C0/C180 (Half-peak divergence: 95.8°)  
— C90/C270 (Half-peak divergence: 96.0°)

### COLOR VECTOR GRAPHIC

