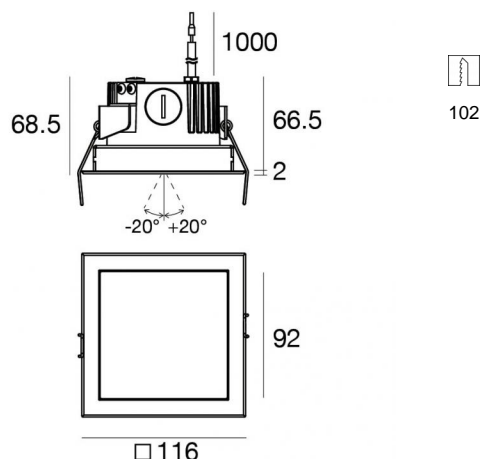




Downlights | 1 arrayLED 8 W DC 220 mA | CRI 80
C00368SAWSP



| Technical data | |
|--|------------------------|
| Type | Encasement with flange |
| Installation position | Ceiling |
| Installation environment | Outdoor |
| Light Source | LED |
| Circuit structure | arrayLED |
| Optics | Spot |
| Light emission direction | downward |
| Nominal power | 8 W DC |
| Source lumens | 1182 lm |
| Input voltage range | 220mA |
| CCT / Tone | 3000 K |
| Colour rendering index | 80 Ra |
| C.C. / C.V. | CC |
| Safety class | 3 |
| IP | IP67 |
| IK | IK10 |
| Glow wire test | 850° |
| Direct mounting on normally flammable surfaces | Yes |
| CE | Yes |
| Driver included | No |
| Dimmable article | DALI - 1-10V |
| Directional | No |
| Tilting | Yes |
| total angle (horizontal plane) | 40 ° |
| Walk-over | No |
| Drive-over | No |
| Cable included | Yes |
| Cable length | 1 m |
| Resin potting | Yes |
| Type of light emission | Single emission |
| Net weight | 0.85 Kg |
| Electrostatic discharge protection | No |
| Surge protection | No |
| Optics technology | Honey comb |
| Product technological characteristics | Acquastop |

Finishing casing

| | |
|------------|--------------------------------------|
| Material | Die-cast Aluminium EN AB - 46100 |
| Colour | black |
| Processing | Open pore anodizing + Powder Coating |

Finishing diffuser

| | |
|------------|------------------------------|
| Material | Extra clear glass - Tempered |
| Colour | transparent |
| Processing | Silk-screening |

Finishing flange

| | |
|------------|----------------|
| Material | AISI 316 steel |
| Colour | steel |
| Processing | Brushing |

Electronics



99342
On/Off Driver 198-264V AC



Downlights | 1 arrayLED 8 W DC 220 mA | CRI 80 | Base C00368SAWSP

Single emission recessed downlights for outdoor application. The warm white LED light source with a spot light distribution is composed of 1 arrayed LEDs with CCT of 3000 K and a CRI 80; the source luminous flux is 1182 lm, with a 147.8 lm/W nominal luminous efficacy.

The device body is made of die-cast aluminium en ab - 46100 and features a black finish, processed by means of open pore anodizing + powder coating; the diffuser is made of extra clear glass - tempered with a silk-screening treatment. The ingress protection degree is IP67; the total weight is of 0.85 kg. The power supply driver is not provided and is to be ordered separately.

The total absorbed power is 8 W. The power supply cable is included and features a 1 m length.

The device features protection class III and can be ceiling-mounted, with a 102 x 102 mm hole (in plasterboard).

Compliant with the EN 60598-1 standard and its specific provisions.

Energy efficiency class

This product contains a light source of energy efficiency class E.

Illuminotechnical Features

| | |
|--|----------------|
| Light Output Ratio (LOR) | 46 % |
| Source lumens | 1182 lm |
| Delivered lumens | 553 lm |
| Consumption | 8 W |
| Luminaire efficacy | 69 lm/W |
| Colour temperature | 3000 K |
| Standard Deviation of Colour Matching | 2 Step MacAdam |
| Colour rendering index | 80 Ra |
| Standard Operating Ambient Temperature | -20 / +50°C |
| Ordinary temperature on the glass | 50°C |

LED Life / Failure Ratio

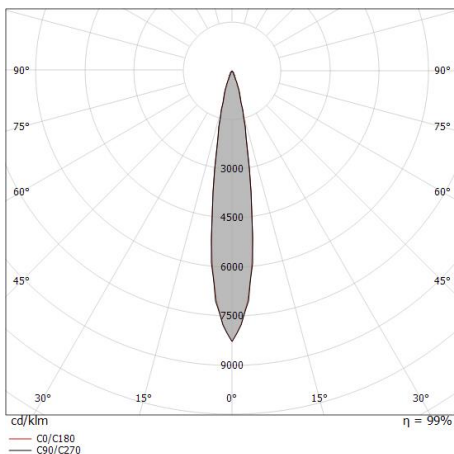
L70 B10 C0 252000h (at Tj 65 Ta 25)

UGR

| | |
|-------------------|----------|
| UGR axial | 7.2 |
| UGR transversal | 7.1 |
| X=4H Y=8H | S=0.25H |
| Reflection factor | 70/50/20 |

OPTICAL

| | |
|-----------------------------|-------------|
| C0/C180 optics | 17° |
| Light distribution simmetry | Symmetrical |



| Distance [m] | Cone diameter [m] | illuminance [lx] |
|--------------|-------------------|--|
| 0.5 | 0.15 0.15 | E(0°) 18273 E(C90) 8.4° 8913 E(C0) 8.3° 8998 |
| 1.0 | 0.30 0.29 | E(0°) 4568 E(C90) 8.4° 2228 E(C0) 8.3° 2250 |
| 1.5 | 0.44 0.44 | E(0°) 2030 E(C90) 8.4° 990 E(C0) 8.3° 1000 |
| 2.0 | 0.59 0.58 | E(0°) 1142 E(C90) 8.4° 557 E(C0) 8.3° 562 |
| 2.5 | 0.74 0.73 | E(0°) 731 E(C90) 8.4° 357 E(C0) 8.3° 360 |
| 3.0 | 0.89 0.88 | E(0°) 508 E(C90) 8.4° 248 E(C0) 8.3° 250 |

Distance [m] Cone diameter [m] illuminance [lx]

— C0/C180 (Half-peak divergence: 16.6°)
— C90/C270 (Half-peak divergence: 16.8°)