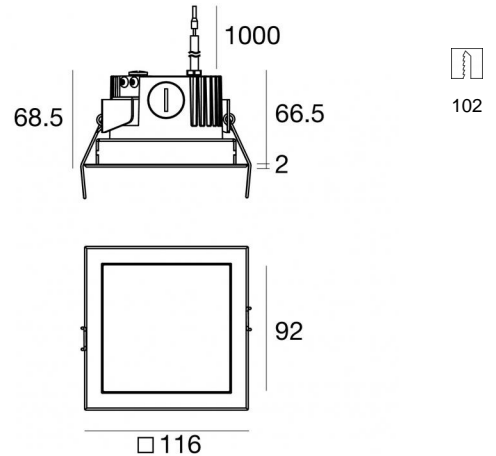




Downlights | 1 arrayLED 9 W DC 24 V | CRI 80
C00364SAMSP



Technical data

Type	Encasement with flange
Installation position	Ceiling
Installation environment	Outdoor
Light Source	LED
Circuit structure	arrayLED
Optics	Spot
Light emission direction	downward
Nominal power	9 W DC
Source lumens	1265 lm
Input voltage range	24 V
CCT / Tone	2700 K
Colour rendering index	80 Ra
C.C. / C.V.	CV
Safety class	3
IP	IP67
IK	IK10
Glow wire test	850°
Direct mounting on normally flammable surfaces	Yes
CE	Yes
Driver included	No
C.V. - C.C. Converter	Converter 24V included
Dimmable article	DALI - 1-10V
Directional	No
Tilting	No
Walk-over	No
Drive-over	No
Cable included	Yes
Cable length	1 m
Resin potting	Yes
Type of light emission	Single emission
Net weight	0.85 Kg
Electrostatic discharge protection	No
Surge protection	No
Product technological characteristics	Acquastop

Finishing casing

Material	Die-cast Aluminium EN AB - 46100
Colour	black
Processing	Open pore anodizing + Powder Coating

Finishing diffuser

Material	Extra clear glass - Tempered
Colour	transparent
Processing	Silk-screening

Finishing flange

Material	AISI 316 steel
Colour	steel
Processing	Brushing

Electronics

- 

89488
 On/Off Driver 190~250V AC / 180~275V DC 15 W (1 art.)

- 

89179
 On/Off Driver 198~264V AC 24 W (1 - 2 art.)

- 

89359
 On/Off Driver 198~264V AC / 180~275V DC 48 W (1 - 5 art.)

- 

99331
 On/Off Driver 198~264V AC / 176~275V DC 150 W (1 - 16 art.)

- 

99660
 DALI - 1-10V Controller 24V DC 216 W (- art.)

- 

C-E500023
 DALI - 1-10V - Push and Simply Dim Controller 8~53V DC 576 W (- art.)



Downlights | 1 arrayLED 9 W DC 24 V | CRI 80 | Base C00364SAMSP

Single emission recessed downlights for outdoor application. The super warm white LED light source with a spot light distribution is composed of 1 arrayed LEDs with CCT of 2700 K and a CRI 80; the source luminous flux is 1265 lm, with a 140.6 lm/W nominal luminous efficacy.

The device body is made of die-cast aluminium en ab - 46100 and features a black finish, processed by means of open pore anodizing + powder coating; the diffuser is made of extra clear glass - tempered with a silk-screening treatment. The ingress protection degree is IP67; the total weight is of 0.85 kg.

The total absorbed power is 9 W. The power supply cable is included and features a 1 m length.

The device features protection class III and can be ceiling-mounted, with a 102 x 102 mm hole (in plasterboard).

Compliant with the EN 60598-1 standard and its specific provisions.

Energy efficiency class

This product contains a light source of energy efficiency class E.

Illuminotechnical Features

Light Output Ratio (LOR)	59 %
Source lumens	1265 lm
Delivered lumens	751 lm
Consumption	9 W
Luminaire efficacy	83 lm/W
Colour temperature	2700 K
Standard Deviation of Colour Matching	2 Step MacAdam
Colour rendering index	80 Ra
Standard Operating Ambient Temperature	-20 / +50°C
Ordinary temperature on the glass	50°C

LED Life / Failure Ratio

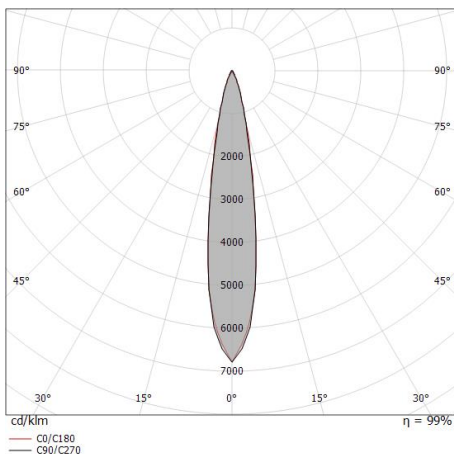
L70 B10 C0 252000h (at Tj 65 Ta 25)

UGR

UGR axial	8.7
UGR transversal	8.7
X=4H Y=8H	S=0.25H
Reflection factor	70/50/20

OPTICAL

C0/C180 optics	18°
Light distribution simmetry	Symmetrical



Distance [m]	Cone diameter [m]	illuminance [lx]
0.5	0.16 0.16	E(0°) 20394 E(C90) 8.9° 9955 E(C0) 9.0° 9957
1.0	0.31 0.32	E(0°) 5099 E(C90) 8.9° 2499 E(C0) 9.0° 2489
1.5	0.47 0.48	E(0°) 2266 E(C90) 8.9° 1111 E(C0) 9.0° 1106
2.0	0.63 0.63	E(0°) 1275 E(C90) 8.9° 625 E(C0) 9.0° 622
2.5	0.78 0.79	E(0°) 816 E(C90) 8.9° 400 E(C0) 9.0° 398
3.0	0.94 0.95	E(0°) 567 E(C90) 8.9° 278 E(C0) 9.0° 277

— C0/C180 (Half-peak divergence: 18.0°)
— C90/C270 (Half-peak divergence: 17.8°)