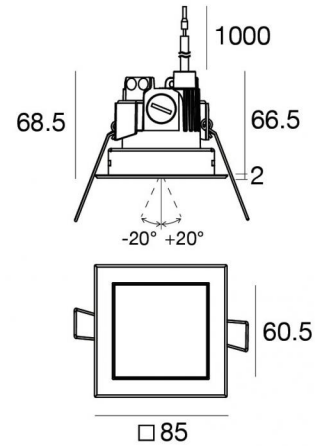




Downlights | 1 arrayLED 4 W DC 350 mA | CRI 80
C00357SAWWF



Technical data	
Type	Encasement with flange
Installation position	Ceiling
Installation environment	Outdoor
Light Source	LED
Circuit structure	arrayLED
Optics	Wide Flood
Light emission direction	upward
Nominal power	4 W DC
Source lumens	624 lm
Input voltage range	350mA
CCT / Tone	3000 K
Colour rendering index	80 Ra
C.C. / C.V.	CC
Safety class	3
IP	IP67
IK	IK10
Glow wire test	850°
Direct mounting on normally flammable surfaces	Yes
CE	Yes
Driver included	No
Dimmable article	DALI - 1-10V
Directional	No
Tilting	Yes
total angle (vertical plane)	40 °
Walk-over	No
Drive-over	No
Cable included	Yes
Cable length	1 m
Resin potting	Yes
Type of light emission	Single emission
Net weight	0.45 Kg
Electrostatic discharge protection	No
Surge protection	No
Product technological characteristics	Acquastop

Finishing casing

Material	Die-cast Aluminium EN AB - 46100
Colour	black
Processing	Open pore anodizing + Powder Coating

Finishing diffuser

Material	Extra clear glass - Tempered
Colour	transparent
Processing	Silk-screening

Finishing flange

Material	AISI 316 steel
Colour	steel
Processing	Brushing

Electronics



89421
On/Off Driver 198~264V AC / 176~275V DC (1 art.)



C-E200006
On/Off Driver 198~264V AC / 180~275V DC (1 - 3 art.)



Downlights | 1 arrayLED 4 W DC 350 mA | CRI 80 | Base C00357SAWWF

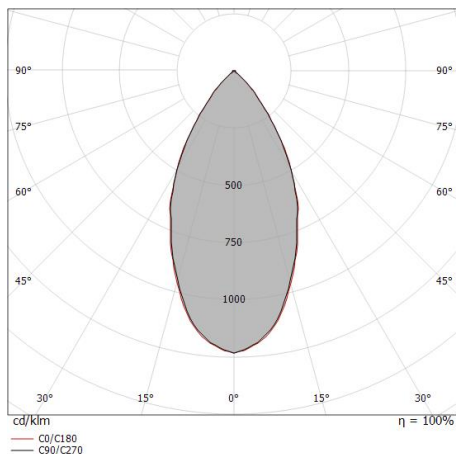
Single emission recessed downlights for outdoor application. The warm white LED light source with a wide flood light distribution is composed of 1 arrayLEDs with CCT of 3000 K and a CRI 80; the source luminous flux is 624 lm, with a 156.0 lm/W nominal luminous efficacy.

The device body is made of die-cast aluminium en ab - 46100 and features a black finish, processed by means of open pore anodizing + powder coating; the diffuser is made of extra clear glass - tempered with a silk-screening treatment. The ingress protection degree is IP67; the total weight is of 0.45 kg. The power supply driver is not provided and is to be ordered separately.

The total absorbed power is 4 W. The power supply cable is included and features a 1 m length.

The device features protection class III and can be ceiling-mounted, with a 69 x 69 mm hole (in plasterboard).

Compliant with the EN 60598-1 standard and its specific provisions.



Distance [m]	Cone diameter [m]	Illuminance [lx]	E(0°)	E(C90)	E(C0)
0.5	0.49	1454	26.1°	529	527
1.0	0.98	364	26.1°	132	132
1.5	1.47	162	26.1°	59	59
2.0	1.96	91	26.1°	33	33
2.5	2.45	58	26.1°	21	21
3.0	2.94	40	26.3°	15	15

Distance [m] Cone diameter [m] Illuminance [lx]

— C0/C180 (Half-peak divergence: 52.6°)
— C90/C270 (Half-peak divergence: 52.2°)

Energy efficiency class

This product contains a light source of energy efficiency class E.

Illuminotechnical Features

Light Output Ratio (LOR)	47 %
Source lumens	624 lm
Delivered lumens	295 lm
Consumption	4 W
Luminaire efficacy	73 lm/W
Colour temperature	3000 K
Standard Deviation of Colour Matching	3 Step MacAdam
Colour rendering index	80 Ra
Black Body Locus	On
Standard Operating Ambient Temperature	-20 / +50°C
Ordinary temperature on the glass	50°C

LED Life / Failure Ratio

L70 B10 C0 130200h

UGR

UGR axial	17.8
UGR transversal	17.8
X=4H Y=8H	S=0.25H
Reflection factor	70/50/20

OPTICAL

C0/C180 optics	52°
Light distribution simmetry	Symmetrical

