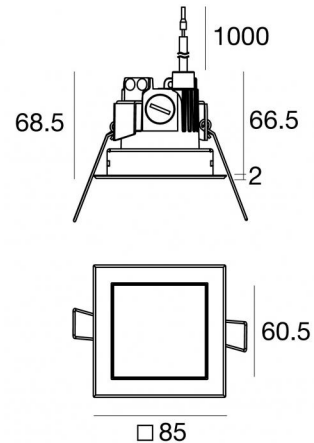




Downlights | 1 arrayLED 4 W DC 24 V | CRI 80
C00355SAN1F



Technical data	
Type	Encasement with flange
Installation position	Ceiling
Installation environment	Outdoor
Light Source	LED
Circuit structure	arrayLED
Optics	Elliptic Flood (20°÷29°) x (20°÷40°)
Light emission direction	upward
Nominal power	4 W DC
Source lumens	660 lm
Input voltage range	24 V
CCT / Tone	4000 K
Colour rendering index	80 Ra
C.C. / C.V.	CV
Safety class	3
IP	IP67
IK	IK10
Glow wire test	850°
Direct mounting on normally flammable surfaces	Yes
CE	Yes
Driver included	No
C.V. - C.C. Converter	Converter 24V included
Dimmable article	DALI - 1-10V
Directional	No
Tilting	No
Walk-over	No
Drive-over	No
Cable included	Yes
Cable length	1 m
Resin potting	Yes
Type of light emission	Single emission
Net weight	0.45 Kg
Electrostatic discharge protection	No
Surge protection	No
Optics technology	Honey comb
Product technological characteristics	Acquastop

Finishing casing

Material	Die-cast Aluminium EN AB - 46100
Colour	black
Processing	Open pore anodizing + Powder Coating

Finishing diffuser

Material	Extra clear glass - Tempered
Colour	transparent
Processing	Silk-screening

Finishing flange

Material	AISI 316 steel
Colour	steel
Processing	Brushing

Electronics



89488
On/Off Driver 190~250V AC / 180~275V DC 15 W



89179
On/Off Driver 198~264V AC 24 W



89359
On/Off Driver 198~264V AC / 180~275V DC 48 W



99331
On/Off Driver 198~264V AC / 176~275V DC 150 W



99660
DALI - 1-10V Controller 24V DC 216 W



C-E500023
DALI - 1-10V - Push and Simply Dim Controller 8~53V DC 576 W



Downlights | 1 arrayLED 4 W DC 24 V | CRI 80 | Base C00355SAN1F

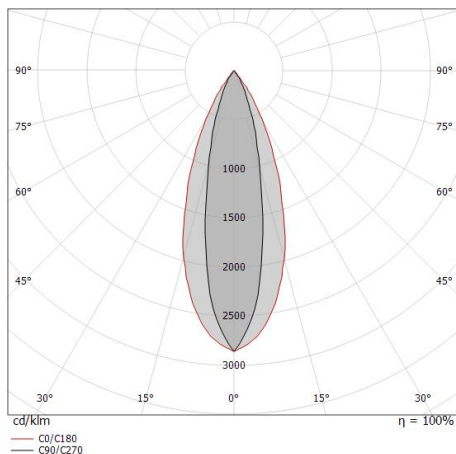
Single emission recessed downlights for outdoor application. The natural white LED light source with a elliptic flood (20°±29°) x (20°±40°) light distribution is composed of 1 arrayLEDs with CCT of 4000 K and a CRI 80; the source luminous flux is 660 lm, with a 165.0 lm/W nominal luminous efficacy.

The device body is made of die-cast aluminium en ab - 46100 and features a black finish, processed by means of open pore anodizing + powder coating; the diffuser is made of extra clear glass - tempered with a silk-screening treatment. The ingress protection degree is IP67; the total weight is of 0.45 kg.

The total absorbed power is 4 W. The power supply cable is included and features a 1 m length.

The device features protection class III and can be ceiling-mounted, with a 69 x 69 mm hole (in plasterboard).

Compliant with the EN 60598-1 standard and its specific provisions.



Distance [m]	Cone diameter [m]	illuminance [lx]
0.5	0.21 0.36	E(0°) 2271 E(C90) 1067 E(C0) 945
1.0	0.41 0.73	E(0°) 568 E(C90) 267 E(C0) 236
1.5	0.62 1.09	E(0°) 252 E(C90) 119 E(C0) 105
2.0	0.83 1.46	E(0°) 142 E(C90) 67 E(C0) 59
2.5	1.04 1.82	E(0°) 91 E(C90) 43 E(C0) 38
3.0	1.24 2.18	E(0°) 63 E(C90) 30 E(C0) 26

— C0/C180 (Half-peak divergence: 40.0°)
— C90/C270 (Half-peak divergence: 23.4°)

Energy efficiency class

This product contains a light source of energy efficiency class E.

Illuminotechnical Features

Light Output Ratio (LOR)	30 %
Source lumens	660 lm
Delivered lumens	199 lm
Consumption	5 W
Luminaire efficacy	39 lm/W
Colour temperature	4000 K
Standard Deviation of Colour Matching	3 Step MacAdam
Colour rendering index	80 Ra
Black Body Locus	On
Standard Operating Ambient Temperature	-20 / +50°C
Ordinary temperature on the glass	50°C

LED Life / Failure Ratio

L70 B10 C0 130200h

UGR

UGR axial	7.8
UGR transversal	12.7
X=4H Y=8H	S=0.25H
Reflection factor	70/50/20

OPTICAL

C90/C270 optics	23°
C0/C180 optics	40°
Light distribution simmetry	Symmetrical 2 assis

