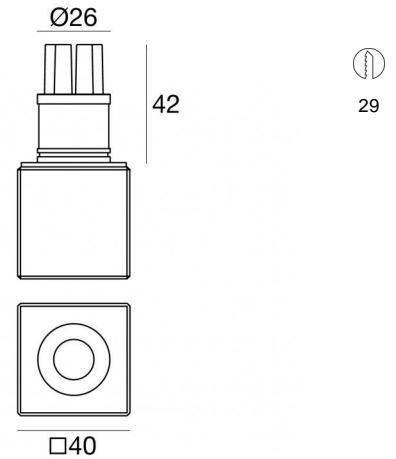




Downlights | 1 x powerLED 1.5 W DC 500 mA | CRI 90  
**C00299CHNXF**



Technical data	
Type	Semi-recessed
Installation position	Ceiling
Installation environment	Indoor
Light Source	LED
Circuit structure	powerLED
Optics	Extra Wide Flood
Light emission direction	downward
Nominal power	1.5 W DC
Source lumens	227 lm
Input voltage range	500mA
CCT / Tone	4000 K
Colour rendering index	90 Ra
C.C. / C.V.	CC
Safety class	3
IP	IP54
Glow wire test	850°
Direct mounting on normally flammable surfaces	Yes
CE	Yes
Driver included	No
Dimmable article	DALI - 1-10V
Directional	No
Tilting	No
Walk-over	No
Drive-over	No
Cable included	Yes
Cable length	0.12 m
Resin potting	No
Type of light emission	Single emission
Net weight	0.226 Kg
Electrostatic discharge protection	No
Surge protection	No


### Finishing casing


Material	Brass
Colour	chrome
Processing	Electroplating


### Finishing diffuser


Material	Glass
Colour	transparent

### Electronics

 89146  
On/Off Driver 198~264V AC / 180~275V DC (2 - 3 art.)

 99195  
On/Off Driver 198~264V AC / 180~275V DC (1 - 2 art.)

 99377  
On/Off Driver 198~264V AC (3 - 6 art.)

 C-E100004  
1-10V - 0-10V Controller (3 - 4 art.)

 C-E100005  
Push and Simply Dim - DALI-2 Controller (3 - 4 art.)



Downlights | 1 x powerLED 1.5 W DC 500 mA | CRI 90  
**C00299CHNXF**

Single emission recessed downlights for indoor application. The natural white LED light source with a extra wide flood light distribution is composed of 1 powerled LEDs with CCT of 4000 K and a CRI 90; the source luminous flux is 227 lm, with a 151.3 lm/W nominal luminous efficacy.

The device body is made of brass and features a chrome finish, processed by means of electroplating; the diffuser is made of glass. The ingress protection degree is IP54; the total weight is of 0.226 kg. The power supply driver is not provided and is to be ordered separately.

The total absorbed power is 1.5 W. The power supply cable is included and features a 0.12 m length.

The device features protection class III and can be ceiling-mounted, with a 29 mm diameter hole (in plasterboard) with an outer casing, code 84901(for concrete or masonry).

Compliant with the EN 60598-1 standard and its specific provisions.

### Energy efficiency class

This product contains a light source of energy efficiency class E.

### Illuminotechnical Features

Source lumens	227 lm
Colour temperature	4000 K
Standard Deviation of Colour Matching	3 Step MacAdam
Colour rendering index	90 Ra
Standard Operating Ambient Temperature	-20 / +50°C
Ordinary temperature on the glass	40°C

### LED Life / Failure Ratio

L70 B20 C0 214455h (at Tj 60 Ta 25 )



Gude | Downlights | Accessories  
**C00299CHNXF**



Outer casing

installation position: ceiling; type of installation: masonry L=69mm, H=60mm, D=60mm.  
Material:ABS Plastic, colour:black.

**Code**

84901