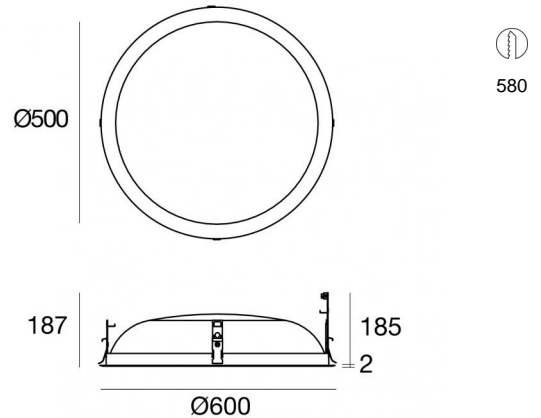




Downlights | 48 topLED 65 W DC 1800 mA | CRI 80
C00202WHMDI



Technical data

Type	Encasement with flange
Installation position	Ceiling
Installation environment	Indoor
Light Source	LED
Circuit structure	topLED
Optics	Diffused
Light emission direction	downward
Nominal power	65 W DC
Source lumens	8900 lm
Input voltage range	1800mA
CCT / Tone	2700 K
Colour rendering index	80 Ra
C.C. / C.V.	CC
Safety class	3
IP	IP40
IK	IK05
Glow wire test	850°
Direct mounting on normally flammable surfaces	Yes
CE	Yes
Driver included	No
Dimmable article	DALI - 1-10V
Directional	No
Tilting	No
Walk-over	No
Drive-over	No
Cable included	Yes
Cable length	0.3 m
Resin potting	No
Type of light emission	Single emission
Net weight	3.4 Kg
Electrostatic discharge protection	No
Surge protection	No

Finishing casing

Material	Aluminium
Colour	White
Processing	Coating

Electronics



99717
On/Off Driver 198~264V AC / 180~275V DC



99726
1-10V Controller



99727
DALI Controller 180~295V AC 70 W

Downlights | 48 topLED 65 W DC 1800 mA | CRI 80 | Base C00202WHMDI

Single emission recessed downlights for indoor application. The super warm white LED light source with a diffused light distribution is composed of 48 topLEDs with CCT of 2700 K and a CRI 80; the source luminous flux is 8900 lm, with a 136.9 lm/W nominal luminous efficacy.

The device body is made of aluminium and features a white finish, processed by means of coating. The ingress protection degree is IP40; the total weight is of 3.4 kg. The power supply driver is not provided and is to be ordered separately.

The total absorbed power is 65 W. The power supply cable is included and features a 0.3 m length.

The device features protection class III and can be ceiling-mounted, with a 580 mm diameter hole (in plasterboard).

Compliant with the EN 60598-1 standard and its specific provisions.

Energy efficiency class

This product contains a light source of energy efficiency class E.

Illuminotechnical Features

Light Output Ratio (LOR)	69 %
Source lumens	8900 lm
Delivered lumens	6180 lm
Consumption	65 W
Luminaire efficacy	95 lm/W
Colour temperature	2700 K
Standard Deviation of Colour Matching	2 Step MacAdam
Colour rendering index	80 Ra
Standard Operating Ambient Temperature	-20 / +50°C

LED Life / Failure Ratio

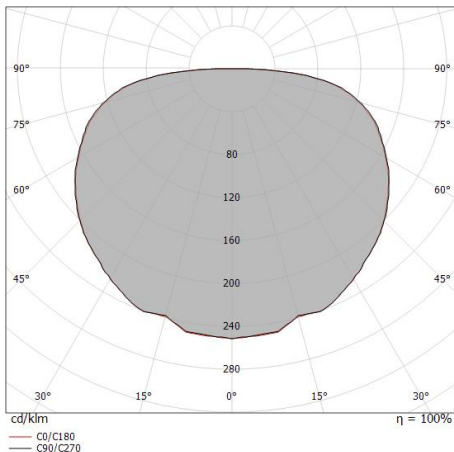
L70 B10 C0 145770h (at Tj 65 Ta 25)

UGR

UGR axial	28.2
UGR transversal	28.2
X=4H Y=8H	S=0.25H
Reflection factor	70/50/20

OPTICAL

C0/C180 optics	149°
Light distribution symmetry	Symmetrical



Distance [m]	Cone diameter [m]	illuminance [lx]
0.5	3.66 3.56	E(0°) 6213 E(C90) 74.7° 57 E(C0) 74.3° 62
1.0	7.31 7.12	E(0°) 1553 E(C90) 74.7° 14 E(C0) 74.3° 15
1.5	10.97 10.67	E(0°) 690 E(C90) 74.7° 6 E(C0) 74.3° 7
2.0	14.62 14.23	E(0°) 388 E(C90) 74.7° 4 E(C0) 74.3° 4
2.5	18.28 17.79	E(0°) 249 E(C90) 74.7° 2 E(C0) 74.3° 2
3.0	21.93 21.35	E(0°) 173 E(C90) 74.7° 2 E(C0) 74.3° 2

— C0/C180 (Half-peak divergence: 148.6°)
— C90/C270 (Half-peak divergence: 149.4°)



Cable and connector

Length 300 mm; insulation double; section 0,75 mm²; cable gland: no; external diameter:
5.5 mm; colors: black - red.

Code

98436