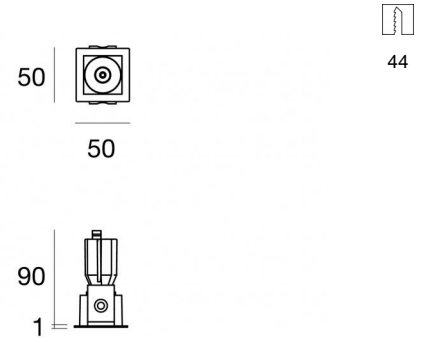




Downlights | 1 x powerLED 4 W DC 350 mA | CRI 90  
**C00149WHWSP**



Technical data	
Type	Encasement with flange
Installation position	Ceiling
Installation environment	Indoor
Light Source	LED
Circuit structure	powerLED
Optics	Spot
Light emission direction	downward
Nominal power	4 W DC
Source lumens	416 lm
Input voltage range	350mA
CCT / Tone	3000 K
Colour rendering index	90 Ra
C.C. / C.V.	CC
Safety class	3
IP	IP20
Glow wire test	850°
Direct mounting on normally flammable surfaces	Yes
CE	Yes
Driver included	No
Dimmable article	DALI - 1-10V
Directional	No
Tilting	No
Walk-over	No
Drive-over	No
Cable included	Yes
Cable length	0.170 m
Resin potting	No
Type of light emission	Single emission
Net weight	0.12 Kg
Electrostatic discharge protection	No
Surge protection	No
Product technological characteristics	TVS

### Finishing casing

Material	Die-cast Aluminium EN AB - 46100
Colour	White + Black
Processing	Powder coating


### Finishing diffuser


Material	Pet
Colour	White


### Finishing radiator


Material	Die-cast Aluminium EN AB - 46100
Processing	Tumbling

### Electronics

 89145  
On/Off Driver 198~264V AC / 180~275V DC

 99375  
On/Off Driver 198~264V AC

 C-E100010  
1-10V - 0-10V Controller

 C-E100011  
Push and Simply Dim - DALI-2 Controller

## Downlights | 1 x powerLED 4 W DC 350 mA | CRI 90 | Base C00149WHWSP

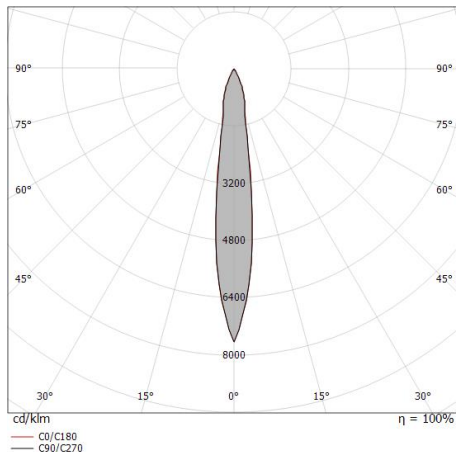
Single emission recessed downlights for indoor application. The warm white LED light source with a spot light distribution is composed of 1 powerLEDs with CCT of 3000 K and a CRI 90; the source luminous flux is 416 lm, with a 104.0 lm/W nominal luminous efficacy.

The device body is made of die-cast aluminium en ab - 46100 and features a white + black finish, processed by means of powder coating; the diffuser is made of pet. The ingress protection degree is IP20; the total weight is of 0.12 kg. The power supply driver is not provided and is to be ordered separately.

The total absorbed power is 4 W. The power supply cable is included and features a 0.170 m length.

The device features protection class III and can be ceiling-mounted, with a 44 x 44 mm hole (in plasterboard).

Compliant with the EN 60598-1 standard and its specific provisions.



Distance [m]	Cone diameter [m]	illuminance [lx]
0.5	0.18 0.15	E(0°) 8399 E(C90) 7.4° 4142 E(C0) 7.5° 4104
1.0	0.26 0.26	E(0°) 2100 E(C90) 7.4° 1035 E(C0) 7.5° 1026
1.5	0.39 0.39	E(0°) 933 E(C90) 7.4° 460 E(C0) 7.5° 456
2.0	0.52 0.53	E(0°) 525 E(C90) 7.4° 259 E(C0) 7.5° 256
2.5	0.65 0.66	E(0°) 336 E(C90) 7.4° 166 E(C0) 7.5° 164
3.0	0.78 0.79	E(0°) 233 E(C90) 7.4° 115 E(C0) 7.5° 114

— C0/C180 (Half-peak divergence: 15.0°)  
— C90/C270 (Half-peak divergence: 14.8°)

Energy efficiency class	
This product contains a light source of energy efficiency class F.	

Illuminotechnical Features	
Light Output Ratio (LOR)	66 %
Source lumens	416 lm
Delivered lumens	275 lm
Consumption	4 W
Luminaire efficacy	68 lm/W
Colour temperature	3000 K
Standard Deviation of Colour Matching	3 Step MacAdam
Colour rendering index	90 Ra
Black Body Locus	On
Standard Operating Ambient Temperature -20 / +50°C	
Ordinary temperature on the glass 40°C	

LED Life / Failure Ratio	
L70 B10 C0 247450h (at Tj 60 Ta 25 )	

UGR	
UGR axial	12.8
UGR transversal	11.9
X=4H   Y=8H	S=0.25H
Reflection factor	70/50/20

OPTICAL	
C0/C180 optics	15°
Light distribution simmetry	Symmetrical

