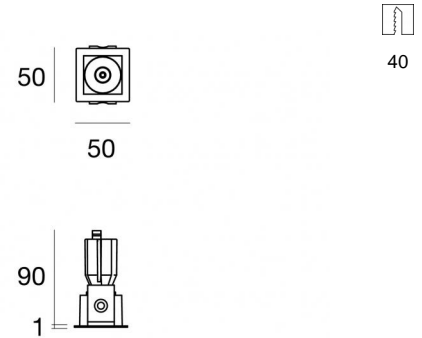




Downlights | 1 x powerLED 4 W DC 350 mA | CRI 90
C00149WBNSP



Technical data

Type	Encasement with flange
Installation position	Ceiling
Installation environment	Indoor
Light Source	LED
Circuit structure	powerLED
Optics	Spot
Light emission direction	downward
Nominal power	4 W DC
Source lumens	449 lm
Input voltage range	350mA
CCT / Tone	4000 K
Colour rendering index	90 Ra
C.C. / C.V.	CC
Safety class	3
IP	IP20
Glow wire test	850°
Direct mounting on normally flammable surfaces	Yes
CE	Yes
Driver included	No
Dimmable article	DALI - 1-10V
Directional	No
Tilting	No
Walk-over	No
Drive-over	No
Cable included	Yes
Cable length	0.170 m
Resin potting	No
Type of light emission	Single emission
Net weight	0.12 Kg
Electrostatic discharge protection	No
Surge protection	No
Product technological characteristics	TVS

Finishing casing

Material	Die-cast Aluminium EN AB - 46100
Colour	White + Black
Processing	Powder coating


Finishing diffuser


Material	Pom-C
Colour	Black


Finishing radiator

Material	Die-cast Aluminium EN AB - 46100
Processing	Tumbling

Electronics

 89145
On/Off Driver 198~264V AC / 180~275V DC (1 art.)

 99375
On/Off Driver 198~264V AC (2 - 3 art.)

 C-E100010
1-10V - 0-10V Controller (1 art.)

 C-E100011
Push and Simply Dim - DALI-2 Controller (1 art.)

Downlights | 1 x powerLED 4 W DC 350 mA | CRI 90 | Base C00149WBNSP

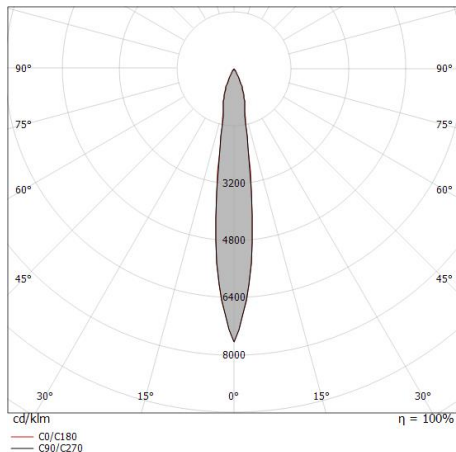
Single emission recessed downlights for indoor application. The natural white LED light source with a spot light distribution is composed of 1 powered LEDs with CCT of 4000 K and a CRI 90; the source luminous flux is 449 lm, with a 112.3 lm/W nominal luminous efficacy.

The device body is made of die-cast aluminium en ab - 46100 and features a white + black finish, processed by means of powder coating; the diffuser is made of pom-c. The ingress protection degree is IP20; the total weight is of 0.12 kg. The power supply driver is not provided and is to be ordered separately.

The total absorbed power is 4 W. The power supply cable is included and features a 0.170 m length.

The device features protection class III and can be ceiling-mounted, with a 40 x 40 mm hole (in plasterboard).

Compliant with the EN 60598-1 standard and its specific provisions.



Distance [m]	Cone diameter [m]	illuminance [lx]
0.5	0.13 0.13	E(0°) 8474 E(C90) 7.4° 4178 E(C0) 7.5° 4140
1.0	0.26 0.26	E(0°) 2118 E(C90) 7.4° 1045 E(C0) 7.5° 1035
1.5	0.39 0.39	E(0°) 942 E(C90) 7.4° 464 E(C0) 7.5° 460
2.0	0.52 0.53	E(0°) 530 E(C90) 7.4° 261 E(C0) 7.5° 259
2.5	0.65 0.66	E(0°) 339 E(C90) 7.4° 167 E(C0) 7.5° 166
3.0	0.78 0.79	E(0°) 235 E(C90) 7.4° 116 E(C0) 7.5° 115

— C0/C180 (Half-peak divergence: 15.0°)
— C90/C270 (Half-peak divergence: 14.8°)

Energy efficiency class

This product contains a light source of energy efficiency class F.

Illuminotechnical Features

Light Output Ratio (LOR)	61 %
Source lumens	449 lm
Delivered lumens	278 lm
Consumption	4 W
Luminaire efficacy	69 lm/W
Colour temperature	4000 K
Standard Deviation of Colour Matching	3 Step MacAdam
Colour rendering index	90 Ra
Black Body Locus	On
Standard Operating Ambient Temperature	-20 / +50°C
Ordinary temperature on the glass	40°C

LED Life / Failure Ratio

L70 B10 C0 247450h (at Tj 60 Ta 25)

UGR

UGR axial	12.8
UGR transversal	11.9
X=4H Y=8H	S=0.25H
Reflection factor	70/50/20

OPTICAL

C0/C180 optics	15°
Light distribution simmetry	Symmetrical

COLOR VECTOR GRAPHIC

